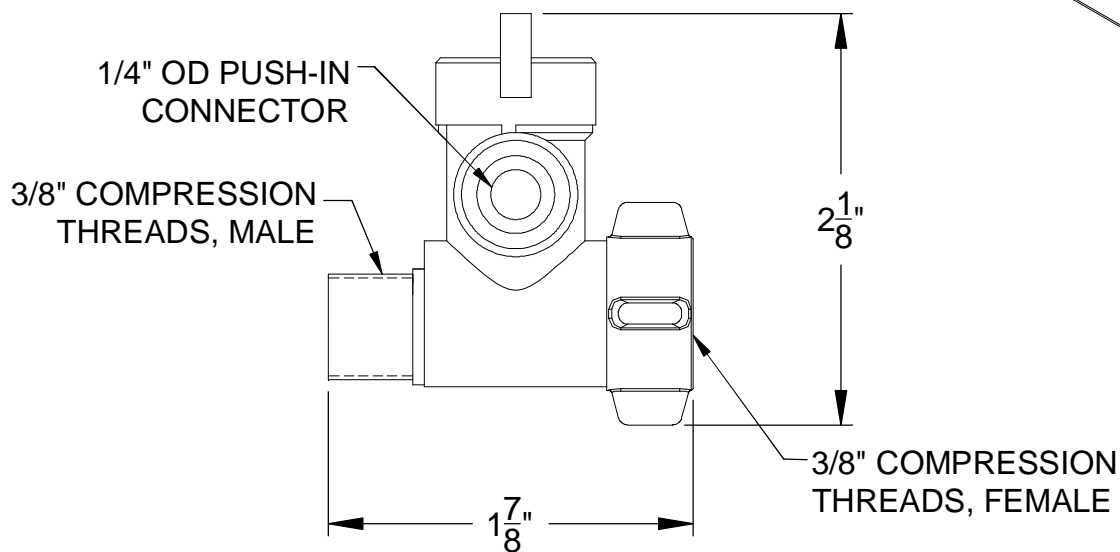
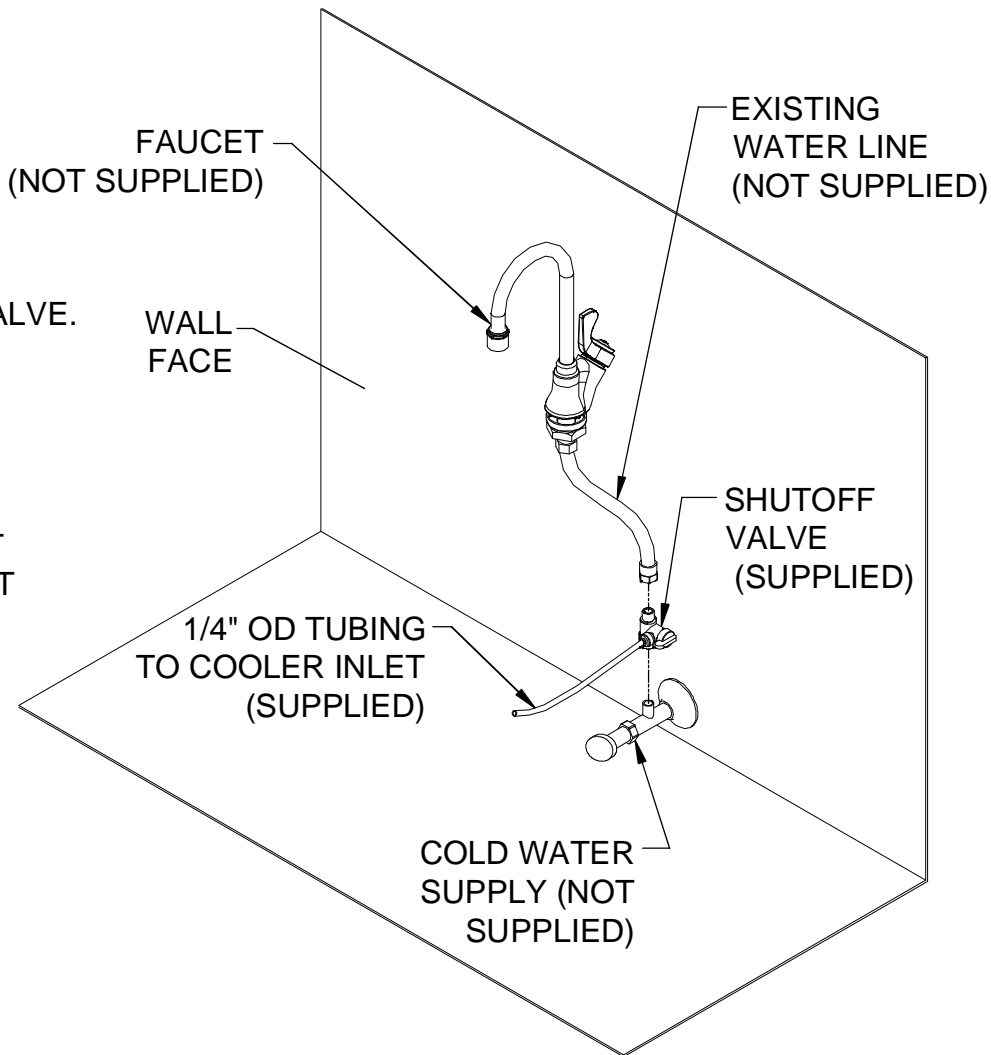


NOTES:

1. WHEN INSTALLING THIS PRODUCT LOCAL, STATE, AND FEDERAL CODES SHOULD BE ADHERED TO.
2. THIS KIT IS INTENDED FOR COLD WATER USE ONLY.
3. SHUT OFF COLD WATER SUPPLY BEFORE INSTALLING VALVE.
4. CUT TUBING TO REQUIRED LENGTH. WHEN INSTALLING TUBING INTO PUSH-FIT CONNECTIONS:
 - A) CUT TUBING ENDS SQUARE AND CLEAN
 - B) MARK 11/16" FROM END OF TUBE
 - C) PUSH TUBE INTO THE FITTING UNTIL IT BOTTOMS OUT
 - D) TO REMOVE, DEPRESS COLLET AND PULL TUBING OUT



SHUTOFF VALVE DETAIL

EXAMPLE SHUTOFF VALVE INSTALLATION (SINK AND CABINET HIDDEN FOR CLARITY)

		1455 KLEPPE LANE SPARKS, NEVADA 89431 (775) 359-4712 FAX (775) 359-7424 E-MAIL: HAWS@HAWS.CO.COM WEBSITE: WWW.HAWS.CO.COM	
		ECN NO. 4983 DRAWN: JH APPROVED: FV	REVISED PER: JH DATE: 02/04/15 DATE: 02/05/15
SCALE: N/A		DRAWING TYPE: INSTALLATION	SIZE: A SHEET 1 OF 1