



model VRKSP248

Valve Repair Kit

FEATURES & BENEFITS

OPTIONS

To see all options for this model, visit www.hawesco.com



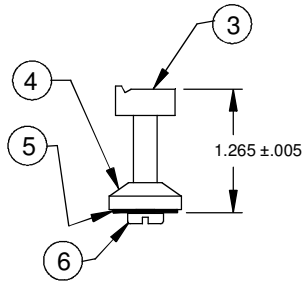
SPECIFICATIONS

Model VRKSP248 is a repair kit for Model SP248 polished chrome plated brass, stay open, squeeze handle valve.

APPLICATIONS

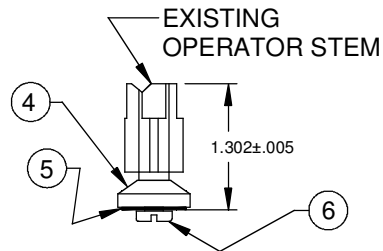


IF YOUR EXISTING OPERATOR STEM LOOKS LIKE THE ONE BELOW (COMES WITH THIS REPAIR KIT), ASSEMBLE COMPONENTS AS FOLLOWS:



SEAT & OPERATOR STEM ASSEMBLY DETAIL

IF YOUR EXISTING OPERATOR STEM LOOKS AS SHOWN BELOW (STAR TYPE), ASSEMBLE SEAT WASHER COMPONENTS TO IT AS FOLLOWS:



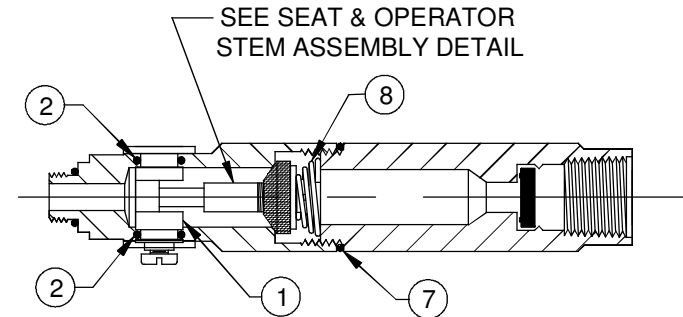
SEAT & OPERATOR STEM ASSEMBLY DETAIL



1455 KLEPPE LANE
SPARKS, NV 89431-6467
1-888-640-4297
www.hawasco.com

VRKSP248

P/N 0001510082



CLEAN VALVE THOROUGHLY AND LUBRICATE 'O' RINGS WITH 'O' RING LUBE BEFORE REASSEMBLING.

ITEM NO.	QUANTITY	DESCRIPTION	PART NUMBER
①	1	CAM OPERATOR	0003958006
②	2	'O' RING FOR CAM	0004763520
③	1	OPERATOR STEM	0003958014
④	1	SEAT WASHER	0006923650
⑤	1	HOLDER WASHER	0003074259
⑥	1	SCREW	0005205802
⑦	1	'O' RING OR GASKET	0004763538
⑧	1	SPRING	0005462528

REVISED 03/10 (HM)
APPROVED (FV)
09803A00 (REV 10)