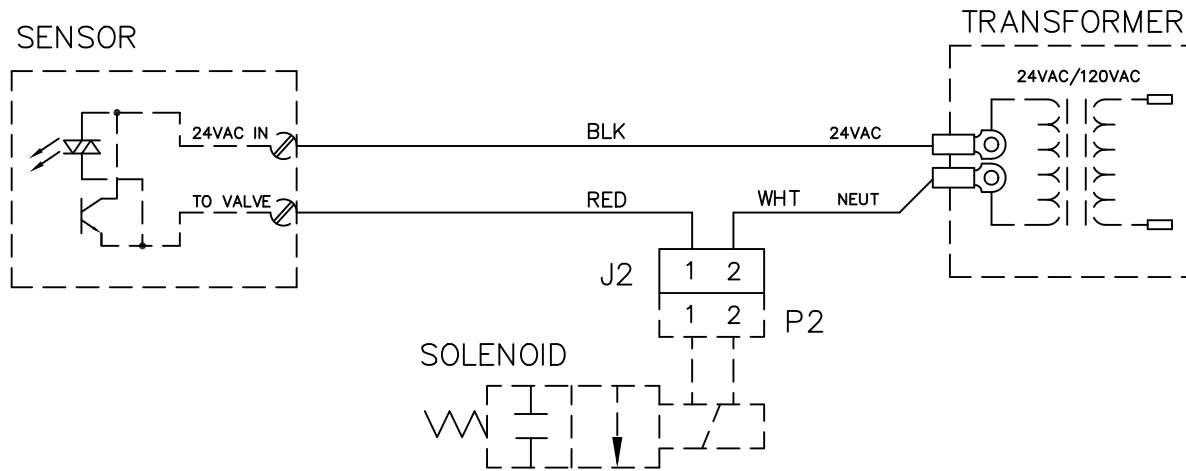
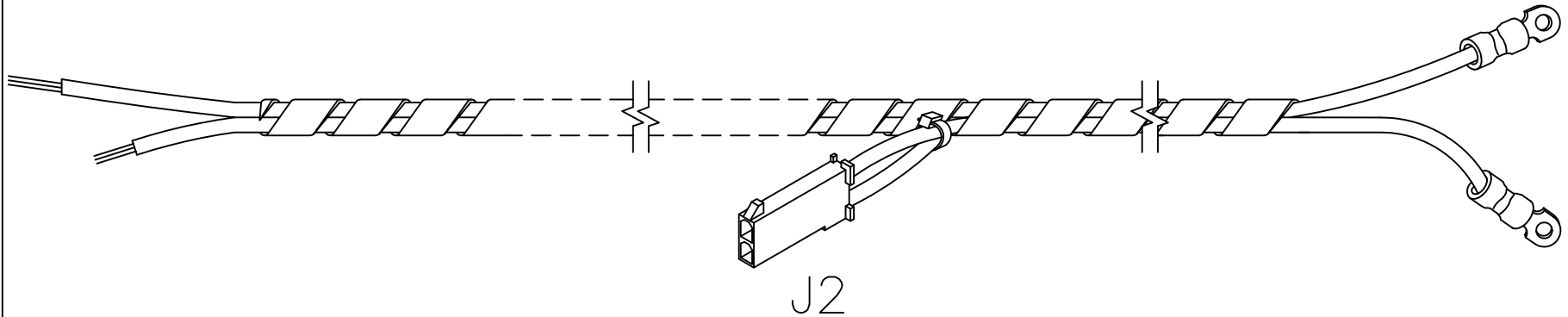


This drawing shall not be reproduced without the written permission of HAWS.

| ITEM | QTY | DESCRIPTION | MATERIAL | CODE NUMBER |
|------|-----|-------------|----------|-------------|
|------|-----|-------------|----------|-------------|



WIRING DIAGRAM REF

| | | | | |
|------------------------------------|-------------------|--------------------------------------|--|--------------|
| Haws | | P.O. BOX 1999 BERKELEY, CA. 94701 | SOLOTHURNSTRASSE 24g 3422 KIRCHBERG/BERN SWITZERLAND | |
| DRAWN BY G. EXLINE | DATE 5 /11 /94 | CHECK BY | APP'D BY | SCALE 1/1 |
| TITLE 24VAC H.O. CABLE ASSEMBLY | | | PART NUMBER 0002080408 | |
| DRAWING TYPE INSTALLATION | | CAD STATION CAD2 | DRAWING NUMBER 11394C00 | REV. 1 |