

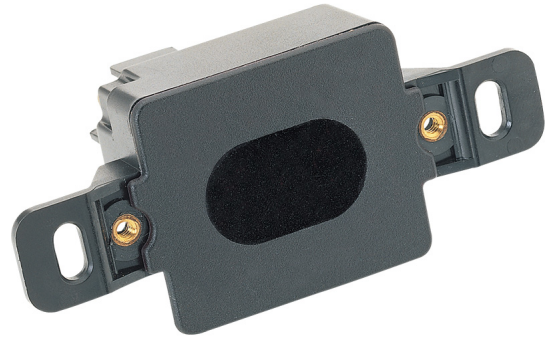


model VRKH01
Sensor

FEATURES & BENEFITS

OPTIONS

To see all options for this model, visit www.hawSCO.com



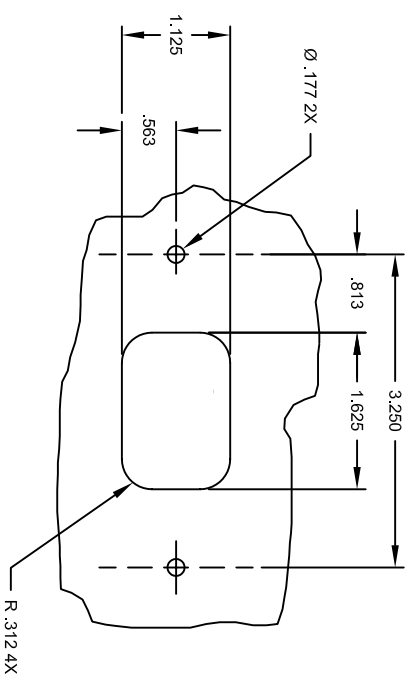
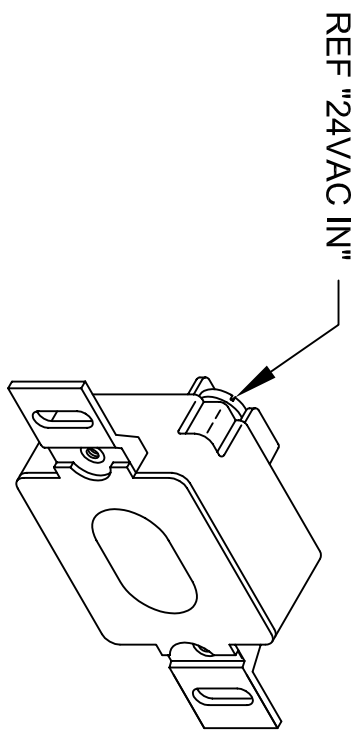
SPECIFICATIONS

Model VRKH01 operates as an electronic eye, emitting a continuous beam of infrared light from the transmitting sensor. When user enters sensor's range, the signal activates the water stream. Built-in delay mode prevents activation by passers-by. A 30-35 second "maximum on" safeguards against accidental or malicious blocking of sensor and sensor burn-out. When blockage is removed, sensor automatically resets. Complete wiring harness furnished with each unit. Sensor is standard on extended bracket only.

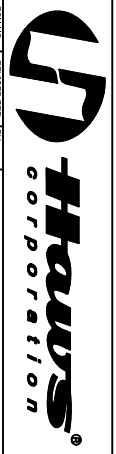
APPLICATIONS



* MUST BE USED IN CONJUNCTION WITH 24VAC TRANSFORMER AND SOLENOID



PANEL CUT-OUT



1455 KLEPPE LANE
 SPARKS, NEVADA 89431
 (775) 359-4712 FAX (775) 359-7424
 E-MAIL: HAWS@HAWSCCO.COM
 WEBSITE: WWW.HAWSCCO.COM

FIGURE: 1	TRANSFORMER: 24VAC	NO.	MODEL(S):	0002080407.D
DATE: 05/10/94	DATE: 05/10/94	DATE: 05/10/94	INFO FAX, DOC #:	11393C00
APPROVER:			INSTALLATION/FABRICATION:	
SIZE: A	REVISION: 1	OF: 1		