



model **SP509**  
In-Line Strainer

## FEATURES & BENEFITS

---

## OPTIONS

---

To see all options for this model, visit [www.hawSCO.com](http://www.hawSCO.com)



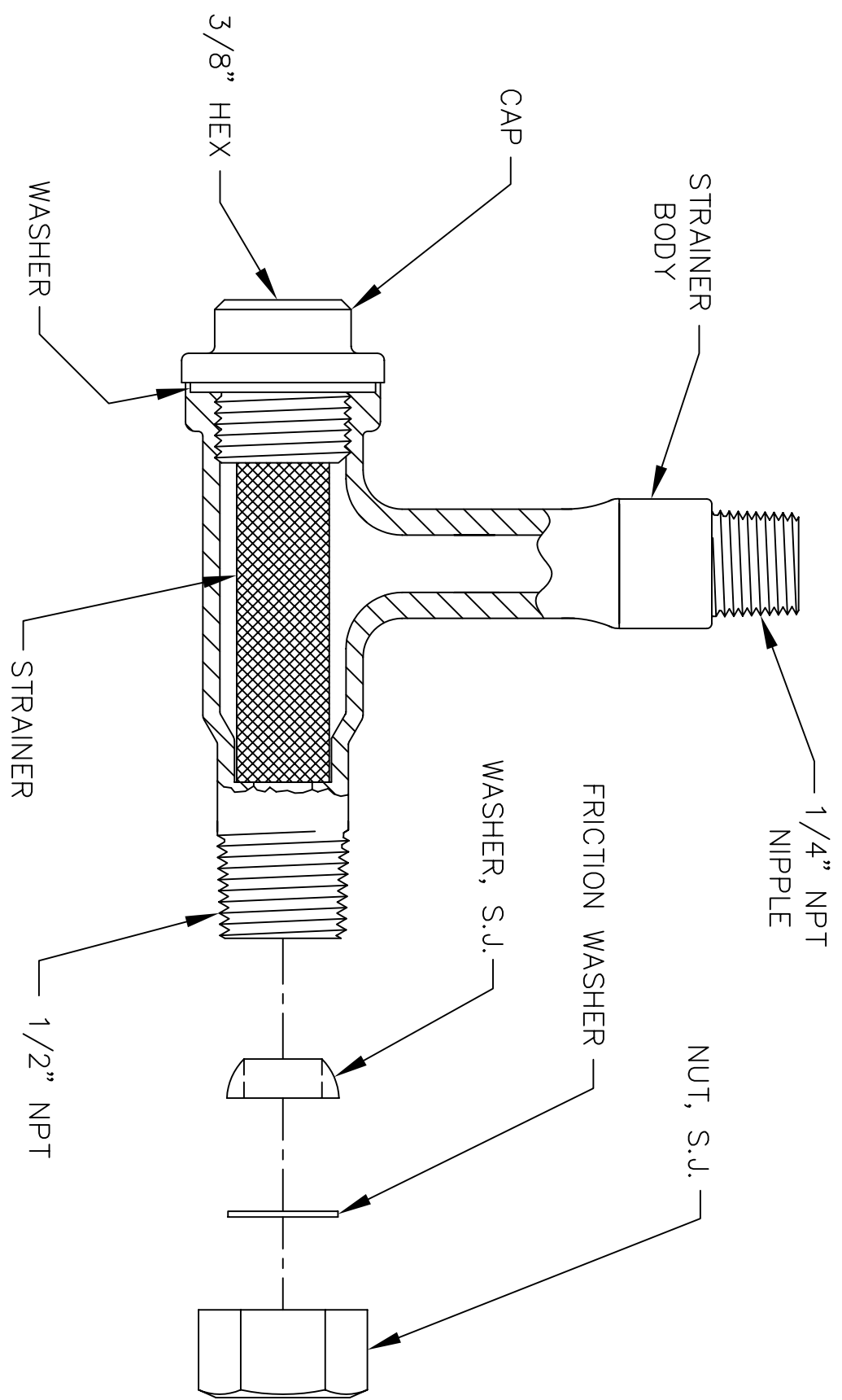
## SPECIFICATIONS

---

Model SP509 is a fully serviceable in-line, 50 x 50 mesh strainer filters debris from reaching the eye or eye/face wash.

## APPLICATIONS

---



**HANS**  
 HANS AG

INFO FAX : 1-888-FAX-HANS (1-888-329-4297)  
 TEL : 41-75-359-4121 FAX : 41-75-359-1424  
 Phone : 75-359-4121 / 75-359-1424  
 Home Ag Building 3 CH-3401 Burgdorf Switzerland  
 Home Mig Pile Ltd 74 Sungai Kerdul Loop Singapore 729531  
 e-mail: HANS@HANS.CO.COM Website: WWW.HANS.CO.COM

MODEL NO.	SP-509	TITLE	INSTALLATION
DATE	6/93	INFO FAX DOC #	252509
REV. A		REV. A	

DRAWING NUMBER: 0002080344  
 DRAWN BY: [ ]  
 CHECKED BY: [ ]  
 DATE: [ ]