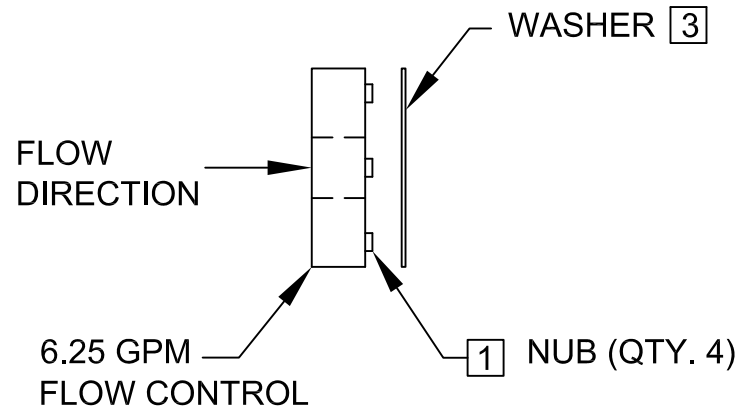
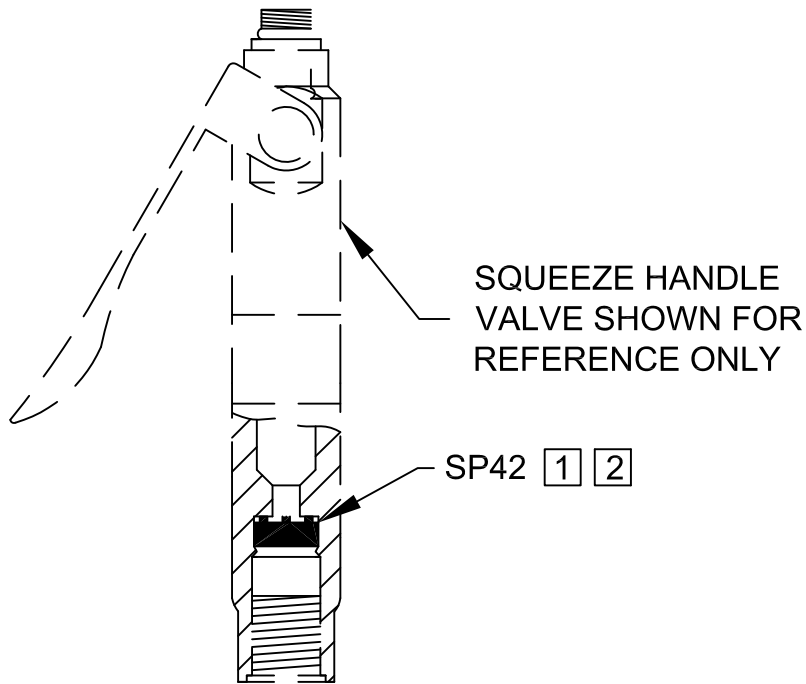
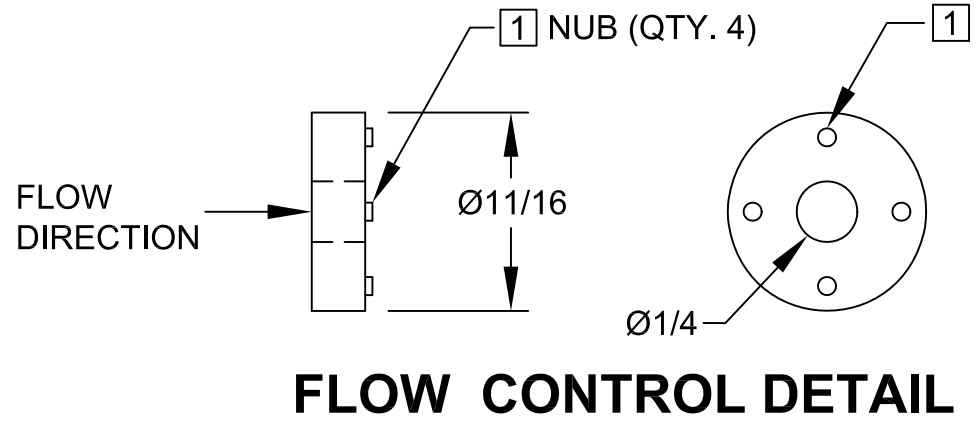


# NOTES:

- 1 NOTE FLOW CONTROL ORIENTATION: NUBS ON FLOW CONTROL MUST BE FACING OPPOSITE OF FLOW SIDE.
- 2 SQUEEZE VALVE APPLICATION DOES NOT REQUIRE WASHER.
- 3 IF APPLICATION REQUIRES WASHER (SUPPLIED), IT MUST BE PLACED ON NUB SIDE OF FLOW CONTROL (OPPOSITE FLOW DIRECTION).



<b>Haws</b> <small>corporation</small>		1455 KLEPPE LANE SPARKS, NEVADA 89431 (775) 359-4712 FAX (775) 359-7424 E-MAIL: HAWS@HAWSCO.COM WEBSITE: WWW.HAWSCO.COM		
		ECN NO. _____ REVISED PER: _____ BY: _____ ECN: 4314 IR	MODEL(S): SP42 6.25 GPM FLOW CONTROL INFO FAX DOC #: 27742	PART NUMBER: 0002080316
DRAWN: J MAY APPROVED: _____	DATE: 09/27/98 DATE: _____	CHKD: _____ DATE: _____	DRAWING NUMBER: 14294A00	SHEET 1 OF 1
SCALE: NA		DRAWING TYPE: INSTALLATION/FAXBACK		SIZE: A