



model SP248

Squeeze Handle Valve

FEATURES & BENEFITS

OPTIONS

To see all options for this model, visit www.hawSCO.com



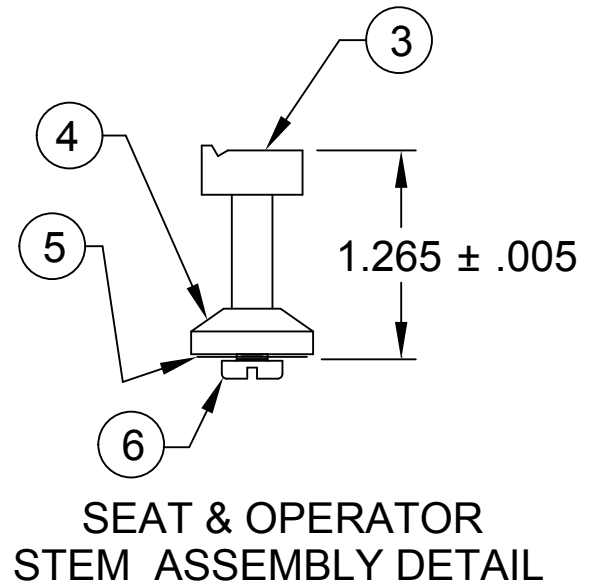
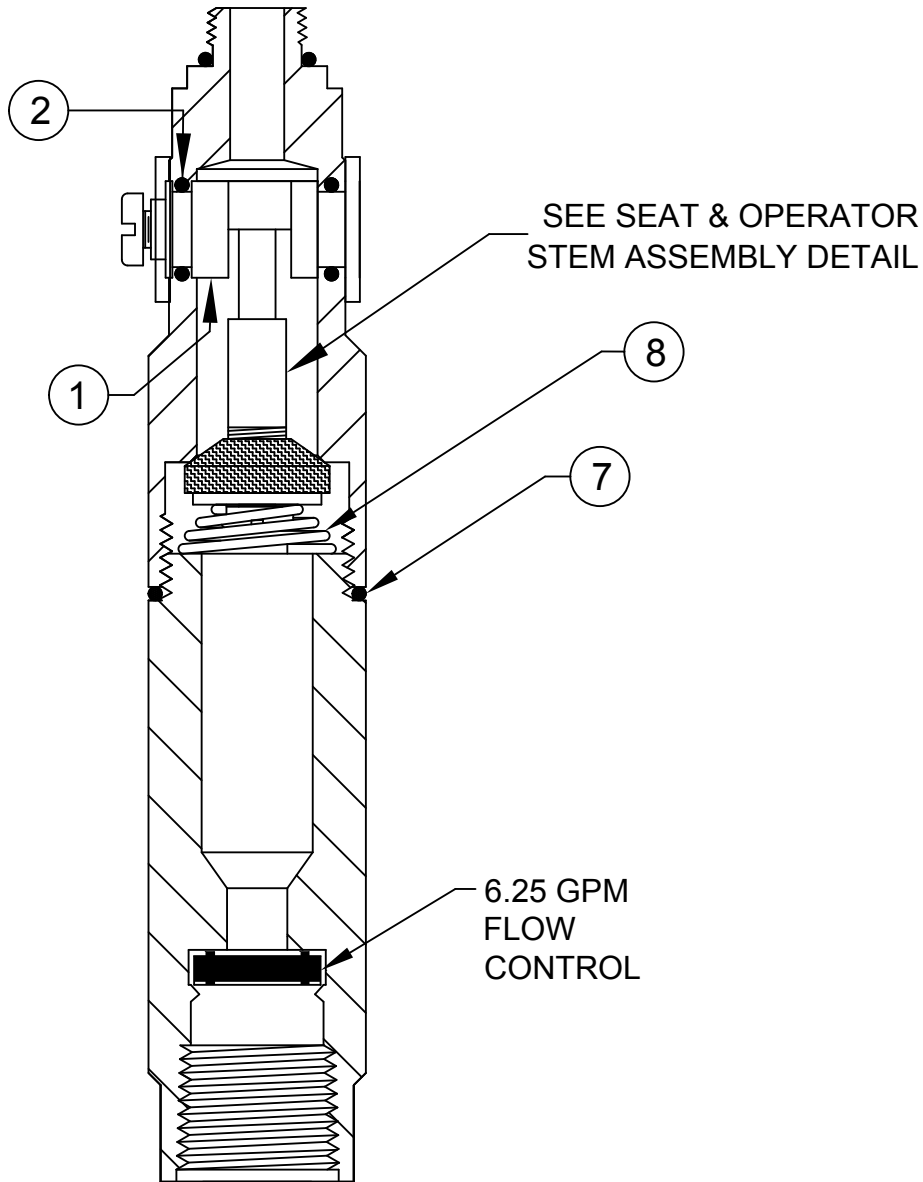
SPECIFICATIONS

Model SP248 chrome-plated brass stay-open valve with squeeze lever handle and built-in 6.25 gpm (23.7 L) flow control. 1/2" IPS inlet x 1/4" IPS outlet.

APPLICATIONS



THIS DOCUMENT IS TRUE AND CORRECT AT TIME OF PUBLICATION. CONTINUED PRODUCT IMPROVEMENTS MAKE SPECIFICATIONS AND MEASUREMENTS SUBJECT TO CHANGE WITHOUT NOTICE.



CLEAN VALVE SEAT AND WASHER THOROUGHLY, LUBRICATE 'O' RING WITH 'O' RING LUBE BEFORE REASSEMBLING.

ITEM NO.	QUANTITY	DESCRIPTION
①	1	CAM OPERATOR
②	2	'O' RING FOR CAM
③	1	OPERATOR STEM
④	1	SEAT WASHER
⑤	1	HOLDER WASHER
⑥	1	SCREW
⑦	1	'O' RING
⑧	1	SPRING

VALVE REPAIR DETAIL
MODEL VRKSP248
OPTIONAL

1455 KLEPPE LANE
SPARKS, NEVADA 89431
(775) 359-4712 FAX (775) 359-7424
E-MAIL: HAWS@HAWSCO.COM
WEBSITE: WWW.HAWSCO.COM

ECN NO. REVISED PER BY: ECAV-4843 HJM	MODEL(S)	PART NUMBER
DRAWN: F. VASQUEZ DATE: 05/13/93 CHK'D:	SP248	0002080341
APPROVED: DATE:	VALVE SQUEEZE HANDLE	DRAWING NO. 10772A00 REV 5
SCALE: 1:4	DRAWING TYPE: INSTALLATION	SIZE: A SHEET 1 OF 1