



model SP220W

Foot Treadle

FEATURES & BENEFITS

OPTIONS

To see all options for this model, visit www.hawesco.com



SPECIFICATIONS

Model SP220W is a foot treadle assembly allows user to operate wall mounted eyewash without using hands. This treadle is specially designed for use with 7000 series wall mounted eyewash models. This model is adaptable to most existing models that operate with a push flag valve.

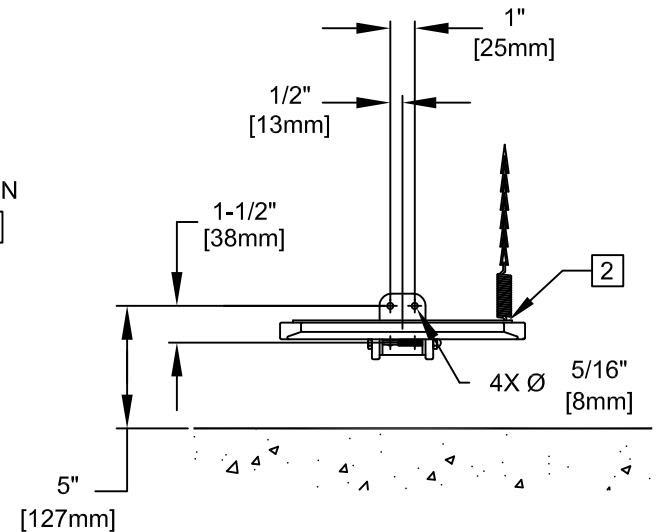
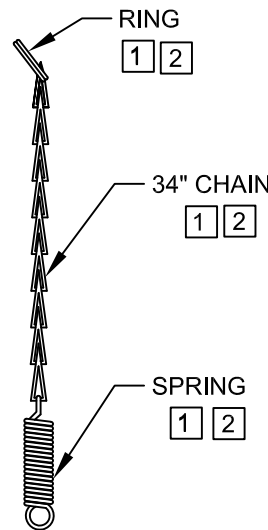
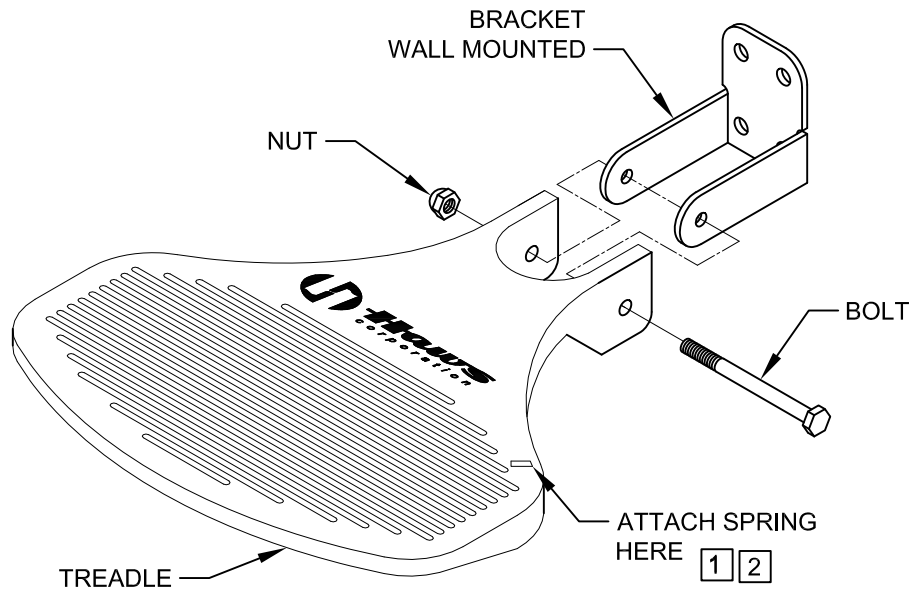
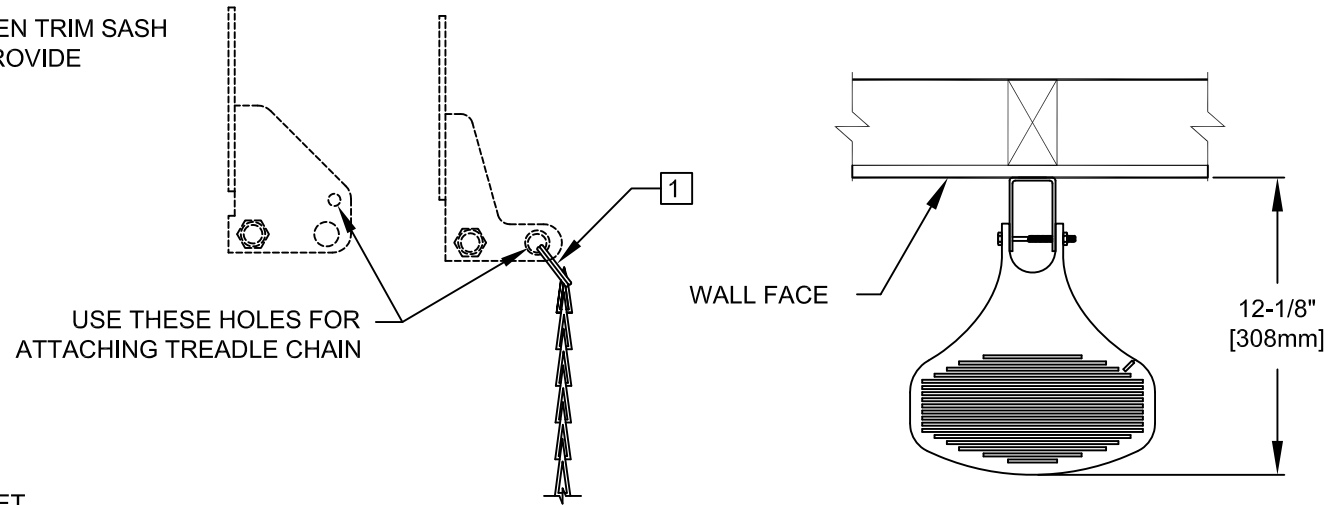
APPLICATIONS



NOTES:

- 1 HOOK SPRING THROUGH SLOTTED OPENING OF TREADLE FROM TOP AND CRIMP SECURING IT TO THE TREADLE. AFTER ASSEMBLING FOOT TREADLE TO WALL, ATTACH COIL RING TO EXISTING PUSH FLAG THEN TRIM SASH CHAIN TO NECESSARY LENGTH IN ORDER TO PROVIDE NORMAL OPERATION OF EYEWASH.
- 2 CRIMP END OF SPRING TO SASH CHAIN.

STYLE A STYLE B



		1455 KLEPPE LANE SPARKS, NEVADA 89431 (775) 359-4712 FAX (755) 359-7424 E-MAIL: HAWS@HAWS.CO.COM WEBSITE: WWW.HAWS.CO.COM	
		ECN NO. REVISED PER BY: MODEL(S) ECN: 4580 HM	PART NUMBER 0002080284
DRAWN: J. FIGUEROA APPROVED:	DATE: 04/26/00 DATE:	CHKD:	SP220W TREADLE FOOT PEDAL ASSY WALL MTD
SCALE: 1:8	DRAWING TYPE: INSTALLATION	SIZE: A	SHEET 1 OF 1