

FEATURES & BENEFITS

OPTIONS

To see all options for this model, visit www.hawesco.com

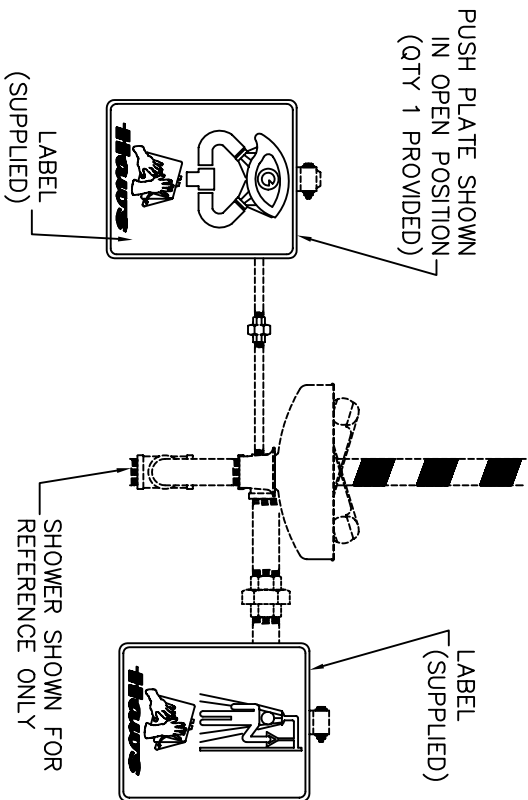
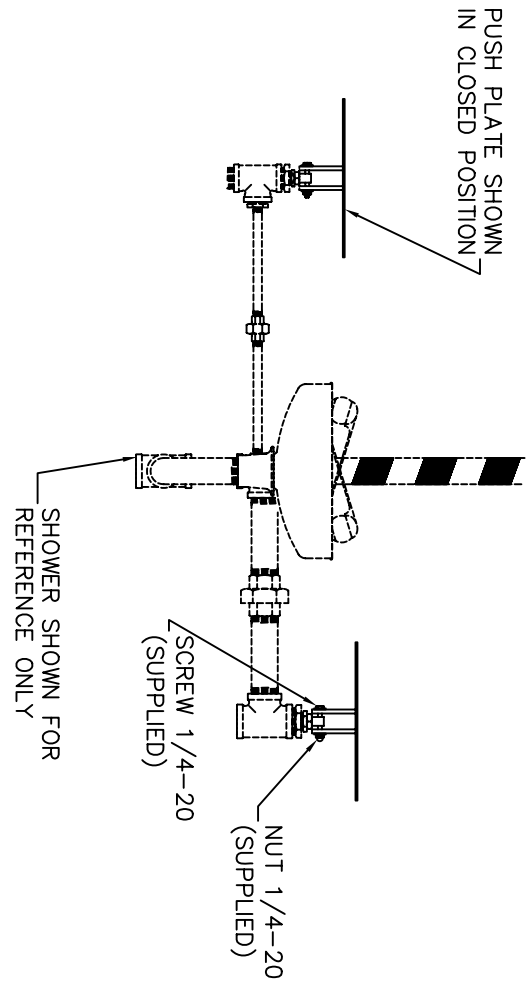


SPECIFICATIONS

Model SP218 is a single motion large zinc plated steel push plate for freeze-resistant valves. Valve stays open until manually closed.

APPLICATIONS





Part No. 13448C00

Haws Corporation		INFO FAX : 1-888-FAX-HAWS (1-888-329-4297) 1455 Kleppe Ln, Sparks NY, 89431 Phone: 775-359-4712 Fax: 775-359-7424 Haws Ag Bohlweg 3 CH-3401 Burgdorf Switzerland Haws Mfg Pte Ltd 74 Sungai Kadut Loop Singapore 729531 e-mail: Haws@hawsco.com Website: www.hawsco.com	
FOR NO.	REVISED PER	DATE	BY
13448C00	3910	05/10/09	HM
DRWNG	CHK'D	DATE	
13448C00			
MODEL(S): PUSH PLATE		SCALE: 1:12	DRAWING TYPE: INSTALLATION/EXBLOK
DRAWING NUMBER: 13448C00		PART NUMBER: 0002080385	REV: 1
SIZE: A	SHT: 1	OF: 1	