



model **SP212**
Vacuum Breaker

FEATURES & BENEFITS

OPTIONS

To see all options for this model, visit www.hawesco.com



SPECIFICATIONS

Model SP212 is a rough chrome-plated brass vacuum breaker, 3/8" IPS.

APPLICATIONS



NOTES:

1. THIS VACUUM BREAKER IS A BACKSIPHONAGE PREVENTER THAT IS DESIGNED FOR CONTINUOUS PRESSURE APPLICATIONS. IT MUST BE INSTALLED IN AN UPRIGHT POSITION, BECAUSE IT MUST BE KEPT IN AN UPRIGHT POSITION TO REMAIN IN A LOCK STATE AND FEDERAL CODE REQUIREMENTS MAY VARY. REFER TO THE USER MANUAL FOR THE USE AND APPLICATION OF THIS MODEL BEFORE INSTALLATION.
2. THE VACUUM BREAKER SHOULD BE INSTALLED AT THE FURTHER MOST DOWNSTREAM POINT OF THE SUPPLY LINE. OTHERWISE, UNDESIRABLE SPILLAGE DUE TO CRITICAL FLOW PRESSURE CONDITIONS CAN BE DISCHARGED HARMLESSLY.
3. FIGURES 1, 2, 3, AND 4 SHOW THE INSTALLATION OF VACUUM BREAKER WITH DIFFERENT EYE/FACE AND BODY SPRAY MODELS.

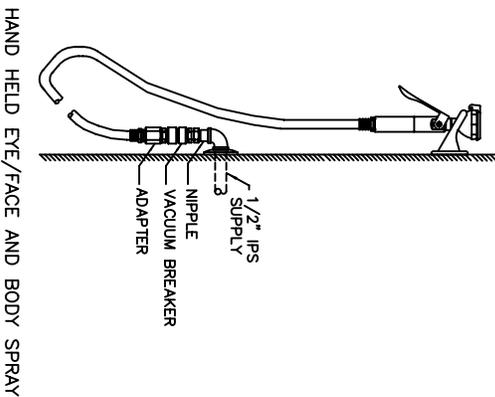
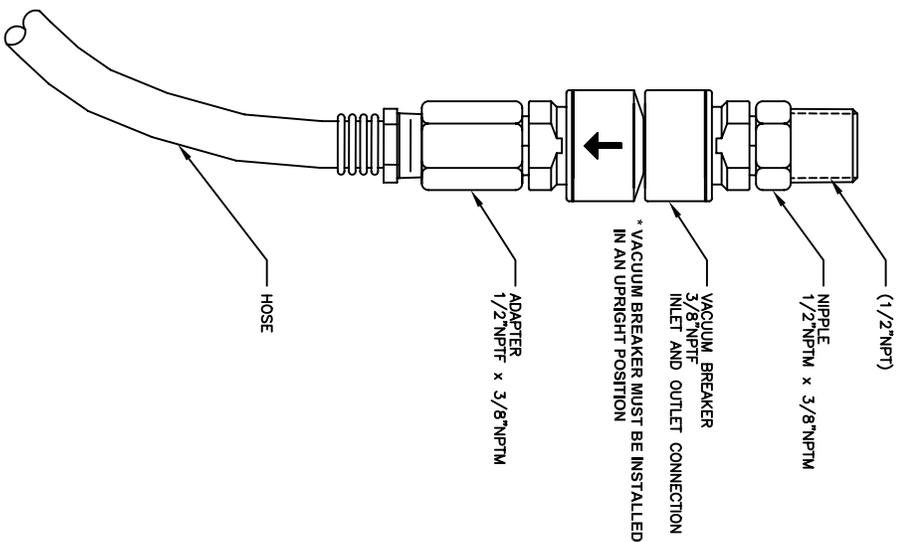


FIGURE 1

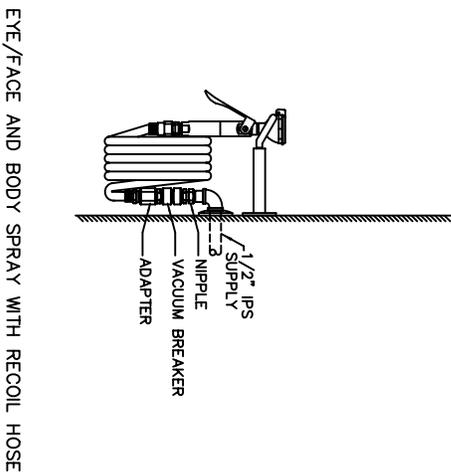


FIGURE 2

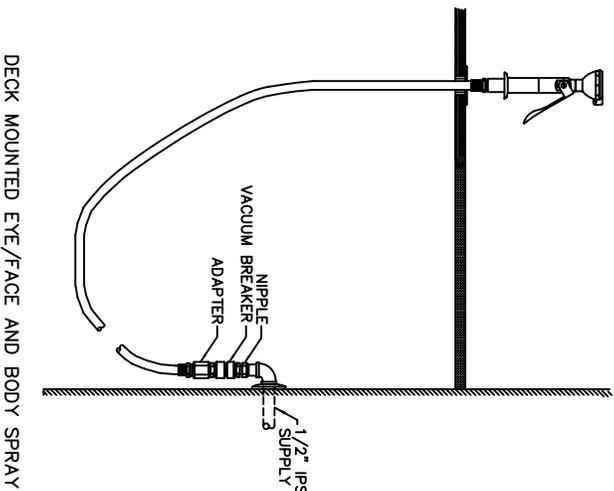


FIGURE 3

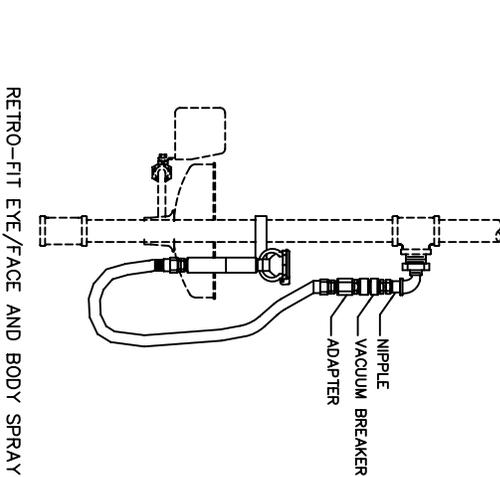


FIGURE 4



INFO FAX : 1-888-FAX-HAWS (1-888-329-4297)
 1455 Kieppe Ln, Sparks, NY, 89431
 Phone: 775-359-4712 Fax: 775-359-7424
 Haws AG, Bichweg 3, CH-3401 Burgdorf, Switzerland
 Haws Mfg. Pte. Ltd, 74 Sungei Kodut Loop, Singapore 729531
 e-mail: Haws@hawsco.com Website: www.hawsco.com

FOR NO.	REVISED FOR	DATE	MODEL(S)
DRAWN:	CON: 3910	11/09/94	SP 212
SPR:	CHK'D:		INFO FAX DOC # 277212
APPROVED:			SCALE: 1:10 DRAWING TYPE: INSTALLATION/FABRICATION
			SIZE: A 1 SH: 1 OF 1