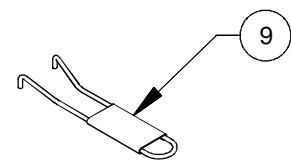
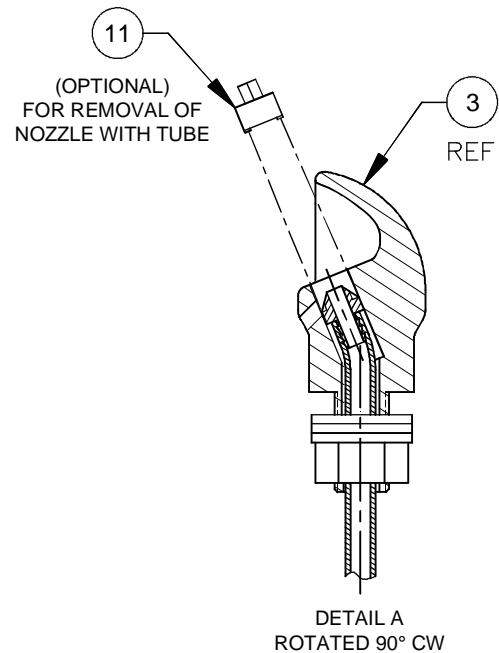
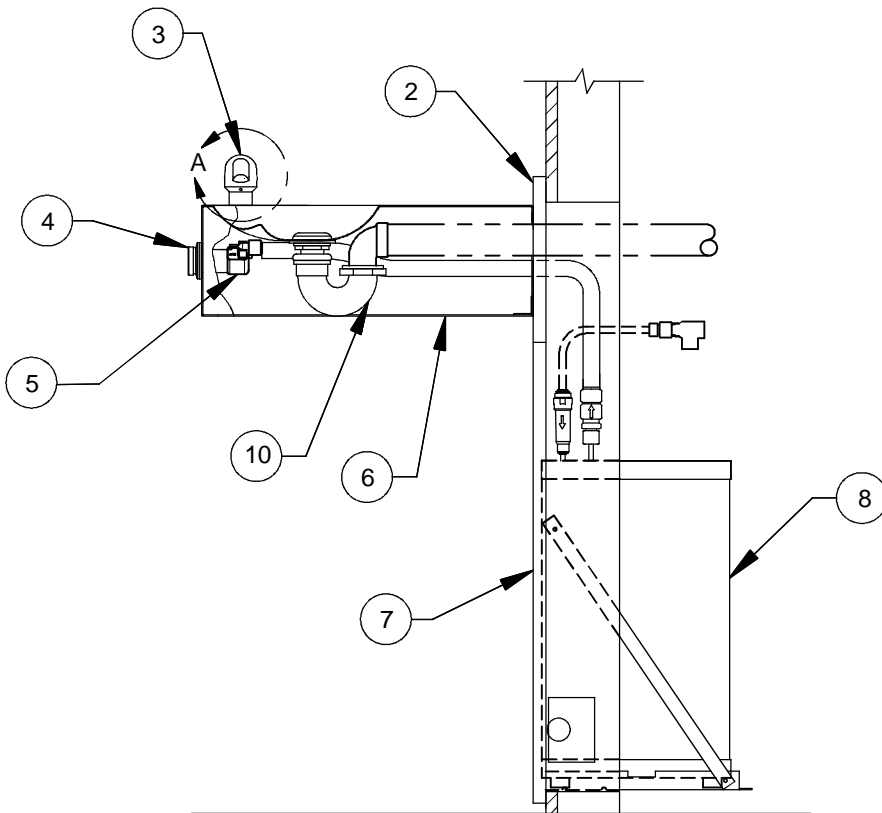
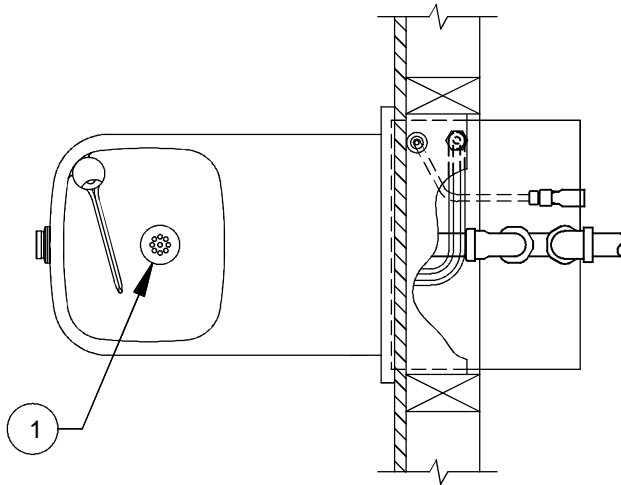


PARTS BREAKDOWN

ITEM	DESCRIPTION
1	STRAINER ASSEMBLY 6462
2	BACK PANEL BP3
3	BUBBLER HEAD 5703M
4	PUSH BUTTON ASSEMBLY PBA6
5	VALVE 5874SS
6	BOTTOM PLATE PBM1109
7	MOUNTING FRAME MTGFR.SM
8	CHILLER HCR8
9	SPANNER WRENCH P/N 0006983506
10	TRAP 0005982900
OPTIONAL 11	DRIVER, NOZZLE .25 HEX 0002082253



1455 KLEPPE LANE
SPARKS, NEVADA 89431
(775) 359-4712 FAX (775) 359-7424
E-MAIL: HAWS@HAWSO.COM
WEBSITE: WWW.HAWSO.COM

ECN NO.:	REVISED PER:	BY:	MODEL(S)	PART NUMBER:
	ECN: 4797	HM	H1109.8	0002080252
DRAWN:	DATE:	CHKD:		DRAWING NO.:
F.VASQUEZ	08/25/08			13370C00
APPROVED:	DATE:		SCALE: 1:5	DRAWING TYPE: PARTS BREAKDOWN
			SIZE: A	SHEET 1 OF 1

WHEN ORDERING PARTS PLEASE SPECIFY YOUR MODEL NUMBER