
FEATURES & BENEFITS

OPTIONS

To see all options for this model, visit www.hawesco.com



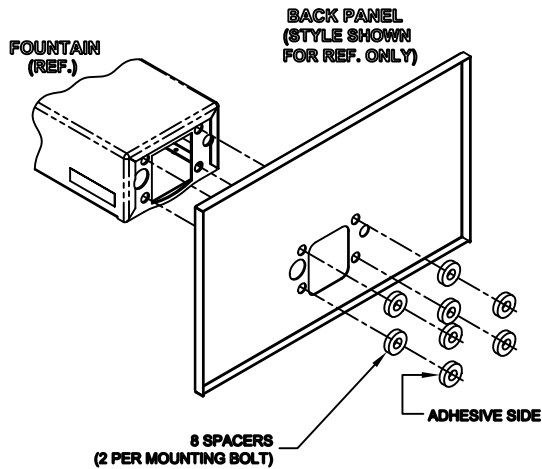
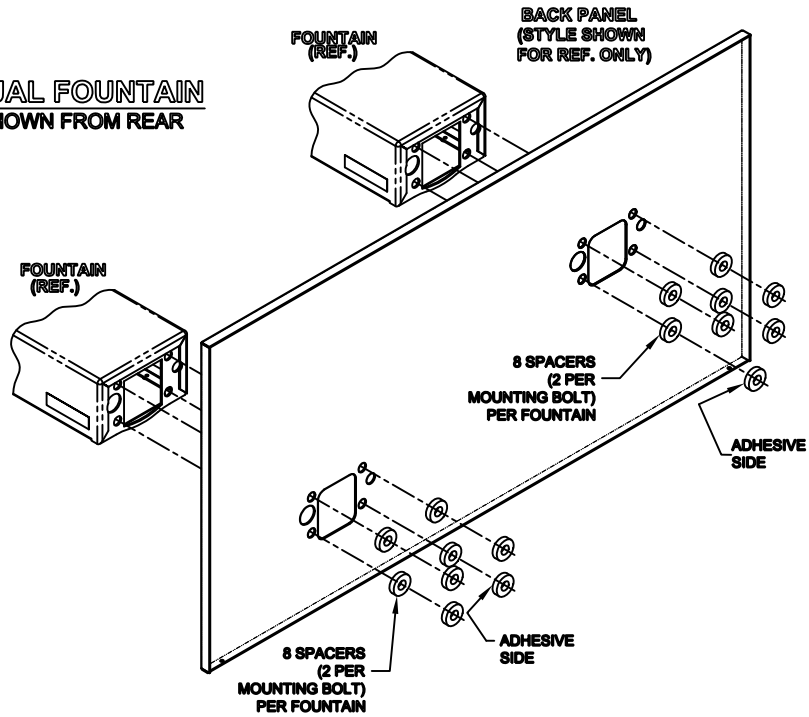
SPECIFICATIONS

Model BP7 is a versatile and decorative back panel for Model 1107L that increases location visibility of the fountain and also helps protect wall from inadvertent splash. It is a 15" x 9" (38 x 23) satin stainless steel panel.

APPLICATIONS



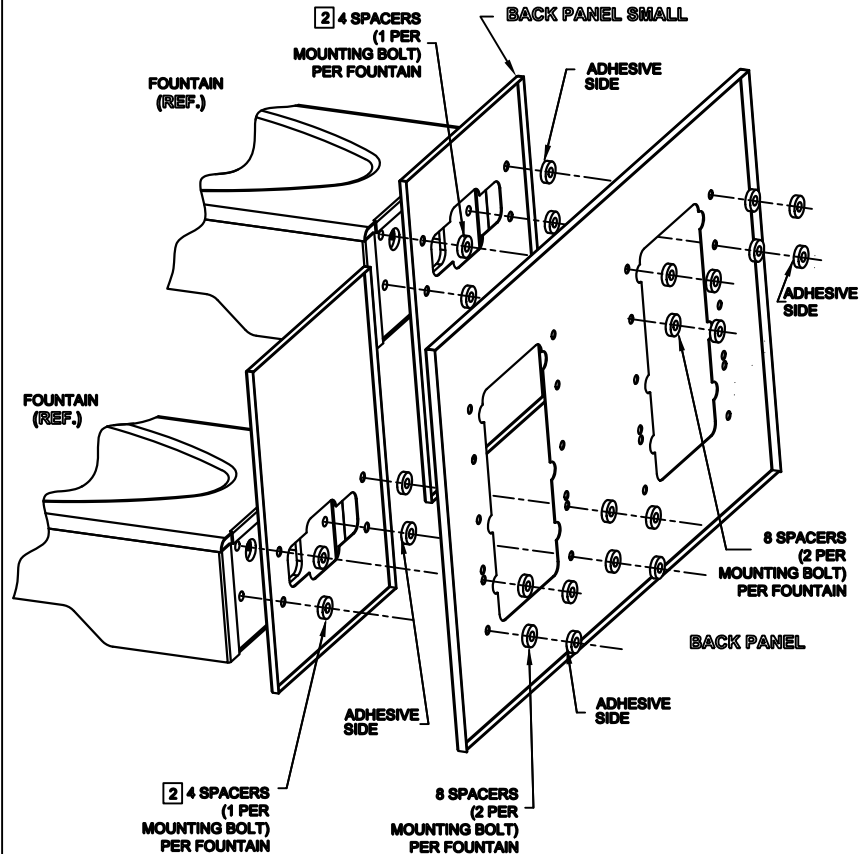
**DUAL FOUNTAIN
SHOWN FROM REAR**



**SINGLE FOUNTAIN
SHOWN FROM REAR**

NOTES:

- 1 ON ALL BACK PANEL MODELS, SPACERS ARE NOT USED WHEN A MOUNTING FRAME IS USED EXCEPT AS SPECIFIED IN NOTE 2
- 2 INDICATED SPACERS ARE USED WITH MOUNTING FRAME (DUAL ADJUSTABLE)



**DUAL FOUNTAIN ADJUSTABLE
SHOWN FROM REAR**



1455 KLEPPE LANE
SPARKS, NEVADA 89431
(775) 359-4712 FAX (755) 359-7424
E-MAIL: HAWS@HAWS.CO.COM
WEBSITE: WWW.HAWS.CO.COM

| | | |
|---|--|-------------------------------|
| ECN NO. REVISED PER BY: ECN: 4595 HM | MODEL(S) | PART NUMBER 0002082219 |
| DRAWN: CL DATE: 10/28/92 CHKD: | BACK PANEL SPACER INSTRUCTIONS | DRAWING NO. REV 08282C00 5 |
| APPROVED: DATE: | SCALE: 1:10 DRAWING TYPE: INSTALLATION | SIZE: A SHEET 1 OF 1 |