

FEATURES & BENEFITS

OPTIONS

To see all options for this model, visit www.hawSCO.com



SPECIFICATIONS

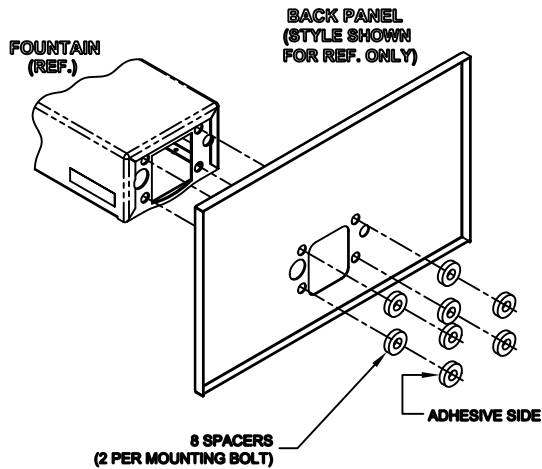
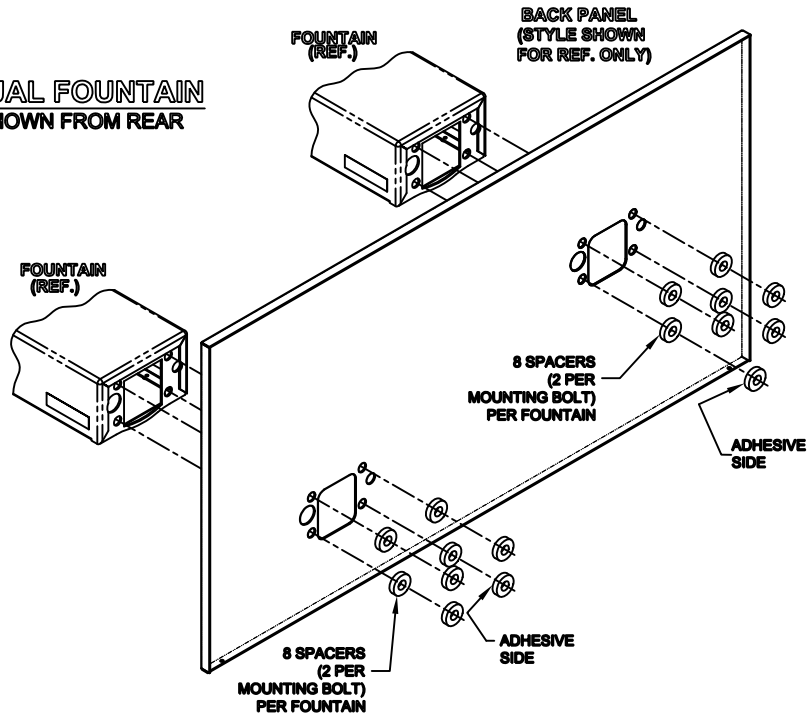
Model BP3 is a versatile and decorative back panel that increases location visibility of the fountain and also helps protect wall from inadvertent splash. Model BP3 is 15" x 9" (38 x 23) stainless steel with a satin finish. Used on 1105 and 1109 series models.

APPLICATIONS



THIS DOCUMENT IS TRUE AND CORRECT AT TIME OF PUBLICATION. CONTINUED PRODUCT IMPROVEMENTS MAKE SPECIFICATIONS AND MEASUREMENTS SUBJECT TO CHANGE WITHOUT NOTICE.

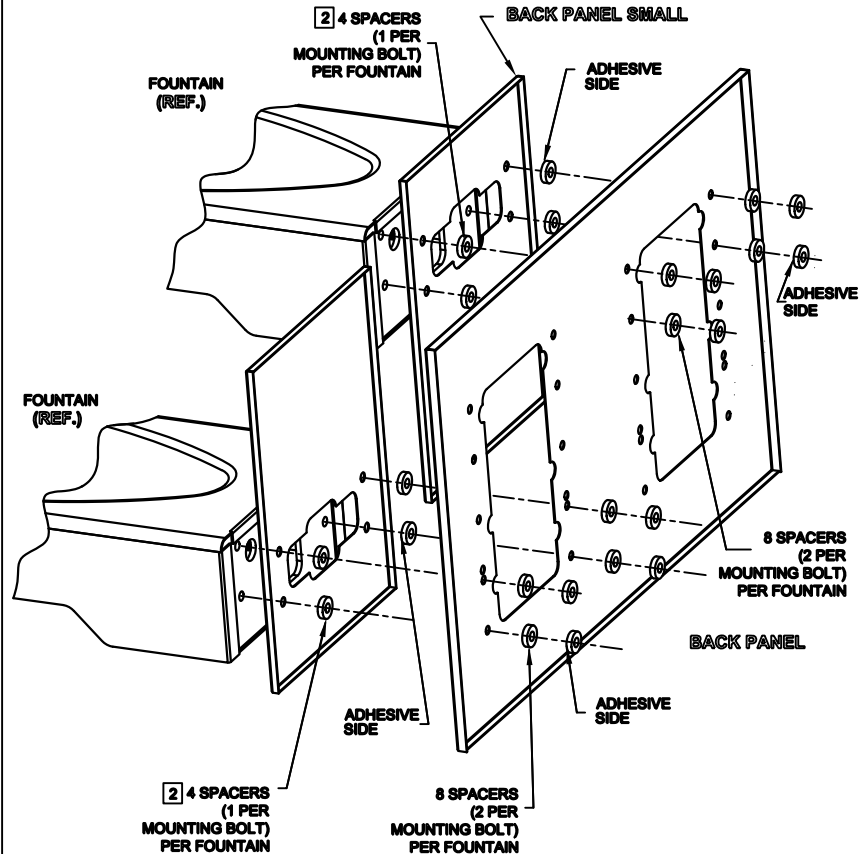
**DUAL FOUNTAIN
SHOWN FROM REAR**



**SINGLE FOUNTAIN
SHOWN FROM REAR**

NOTES:

- 1 ON ALL BACK PANEL MODELS, SPACERS ARE NOT USED WHEN A MOUNTING FRAME IS USED EXCEPT AS SPECIFIED IN NOTE 2
- 2 INDICATED SPACERS ARE USED WITH MOUNTING FRAME (DUAL ADJUSTABLE)



**DUAL FOUNTAIN ADJUSTABLE
SHOWN FROM REAR**



1455 KLEPPE LANE
SPARKS, NEVADA 89431
(775) 359-4712 FAX (755) 359-7424
E-MAIL: HAWS@HAWS.CO.COM
WEBSITE: WWW.HAWS.CO.COM

ECN NO. REVISED PER BY: ECN: 4595 HM	MODEL(S)	PART NUMBER 0002082219
DRAWN: CL DATE: 10/28/92 CHKD:	BACK PANEL SPACER INSTRUCTIONS	DRAWING NO. REV 08282C00 5
APPROVED: DATE:	SCALE: 1:10 DRAWING TYPE: INSTALLATION	SIZE: A SHEET 1 OF 1