

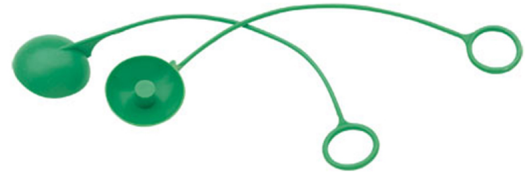


model 9095
Dust Cover

FEATURES & BENEFITS

OPTIONS

To see all options for this model, visit www.hawesco.com



SPECIFICATIONS

Model 9095 Dust Cover is for use on all Haws Non-Portable Eyewash Units that feature the SP10, SP11, SP11FC or SP18 Soft-Flo heads. It keeps eyewash heads from contamination when not in use. The Safety Green polyethylene plastic cover with integral retainer strap automatically removes when water is turned on. Sold in pairs.

APPLICATIONS

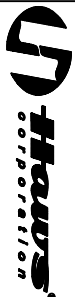
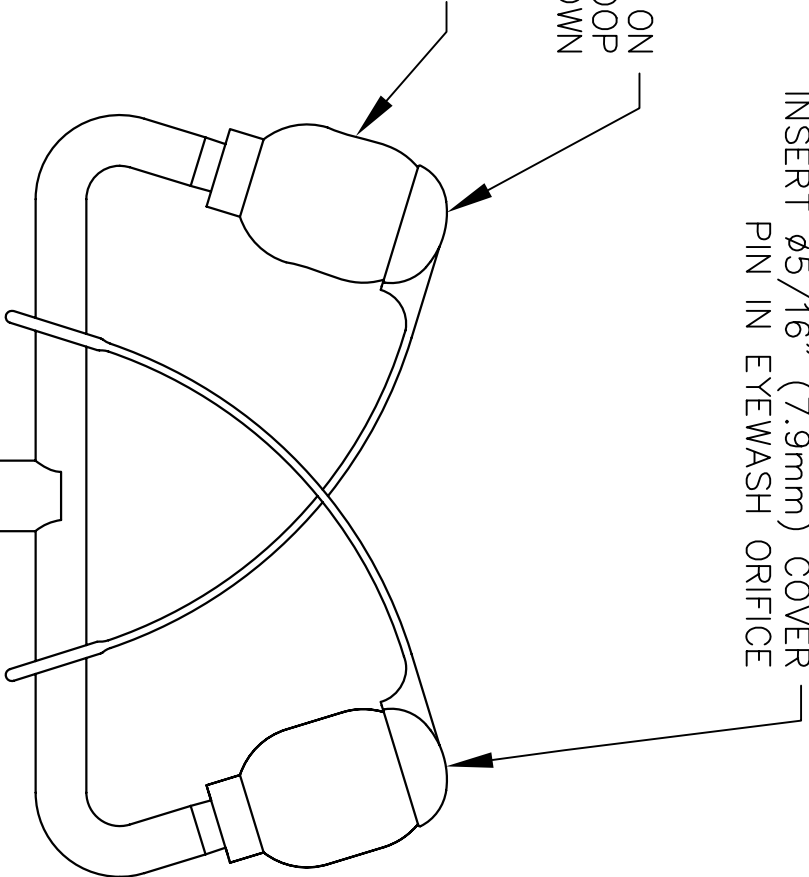


INSTALL COVER ON
OPPOSITE SIDE OF LOOP
END AS SHOWN

INSERT $\phi 5/16"$ (7.9mm) COVER
PIN IN EYEWASH ORIFICE

REMOVE SP11 EYEWASH HEAD
BY TURNING COUNTER CLOCKWISE.
SLIDE RING END OVER EYEWASH
BEND. REINSTALL EYEWASH HEAD.
REPEAT ON OPPOSITE SIDE

EXISTING EYEWASH ASSEMBLY
SHOWN FOR REFERENCE ONLY



INFO FAX : 1-888-FAX-HAWS (1-888-329-4297)

1455 Kleppe Ln, Sparks NV, 89431

Phone: 775-359-4712 Fax: 775-359-7424

Haws Ag Bichweg 3 CH-3401 Burgdorf Switzerland

Haws Mfg Pte Ltd 74 Sungei Kodut Loop Singapore 729531

e-mail: Haws@hawsco.com website: www.hawsco.com

MODEL(S): E/W HD DUST COVER F/SP10

FIG. NO.	REVISED PER	BY	DATE	SCALE	DRAWING TYPE	INSTALLATION/REWORK
FIG. NO.	CON: 3907	H.M.	05/04/98	1:3	INSTALLATION	
APPROVER:		CHK'D:				
	9095					
	INFO FAX DOC. #:	29095				
	PART NUMBER:	0002080225				
	DRAWING NUMBER:	11925A00				
	REV:	2				
	SIZE:	A				
	SHEET:	1				
	OF:	1				