



model 9001EXP

Emergency Alarm System

FEATURES & BENEFITS

FLOW SWITCH

The alarm is activated by an 1-1/4" IPS double pole, double throw brass flow switch that is supplied with an extra set of electrical contacts for remote alarm hook-up.

OPTIONS

To see all options for this model, visit www.hawsco.com



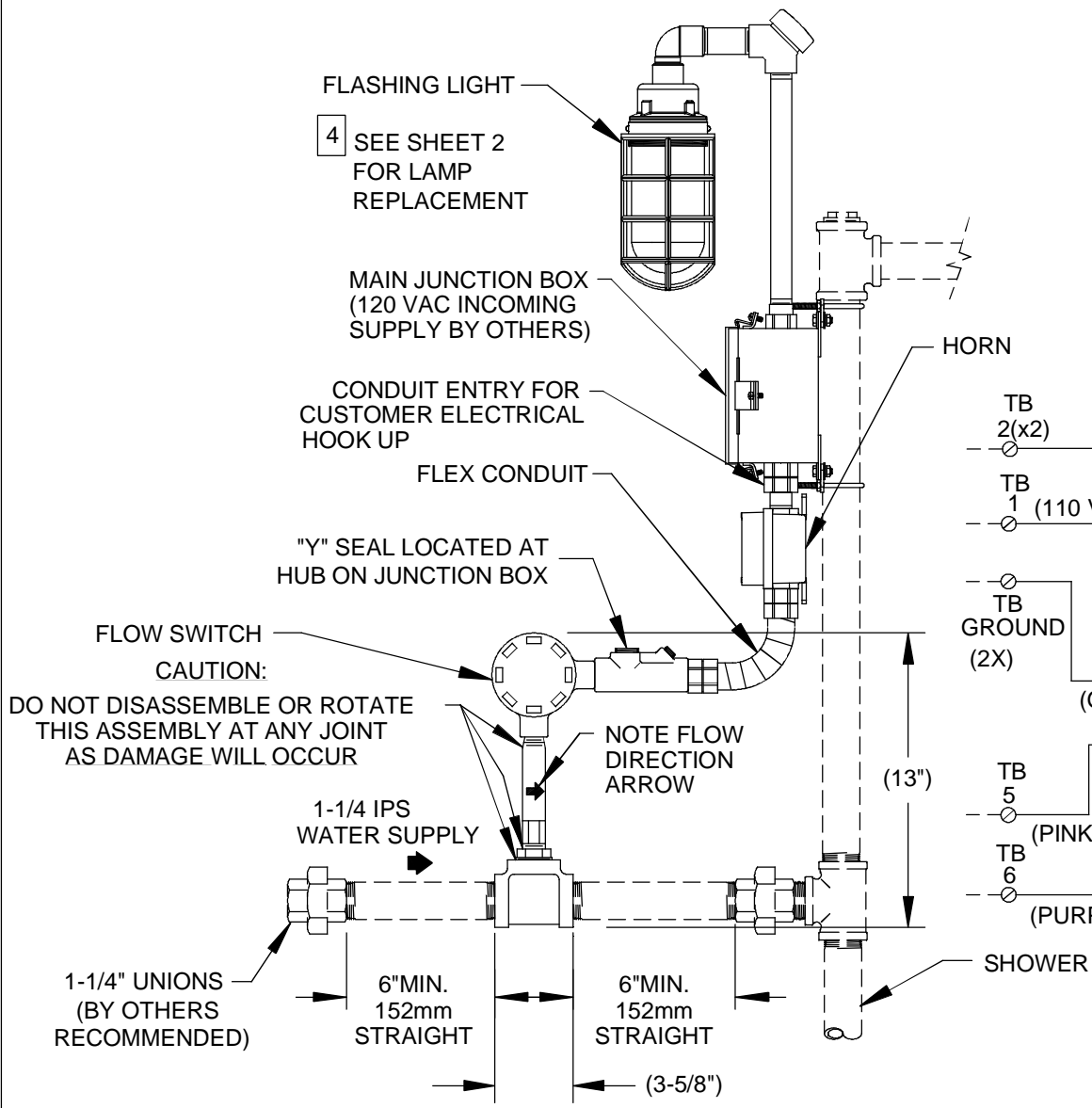
SPECIFICATIONS

Model 9001EXP Class 1, Division 2, Groups B, C and D emergency alarm and light system features a red flashing light and 90 db at 10 feet (304.8 cm), buzzer that is operated by a double pole, double throw flow switch. Unit is activated when the emergency shower or eyewash is in operation. Switch will activate at 2.4 gpm (9.08 L). System can be mounted to pipe or wall with optional wall bracket that is provided. It is recommended to install unit where a shower or eyewash is in a remote or noisy location where user is unable to summon help. This alarm contains a multiple sets of contacts for remote activation alarm sites. Model is CSA electrical certified, TYPE 4. (Nema 4 equivalent). Tempering code T2C Voltage: 120 VAC, 50 or 60 cycles. Supply: 1-1/4" IPS.

APPLICATIONS

Specifically, this alarm can be used with almost any Haws eye or eye/face wash model. Model 9001EXP is CSA electrical certified, TYPE 4. (Nema 4 equivalent)

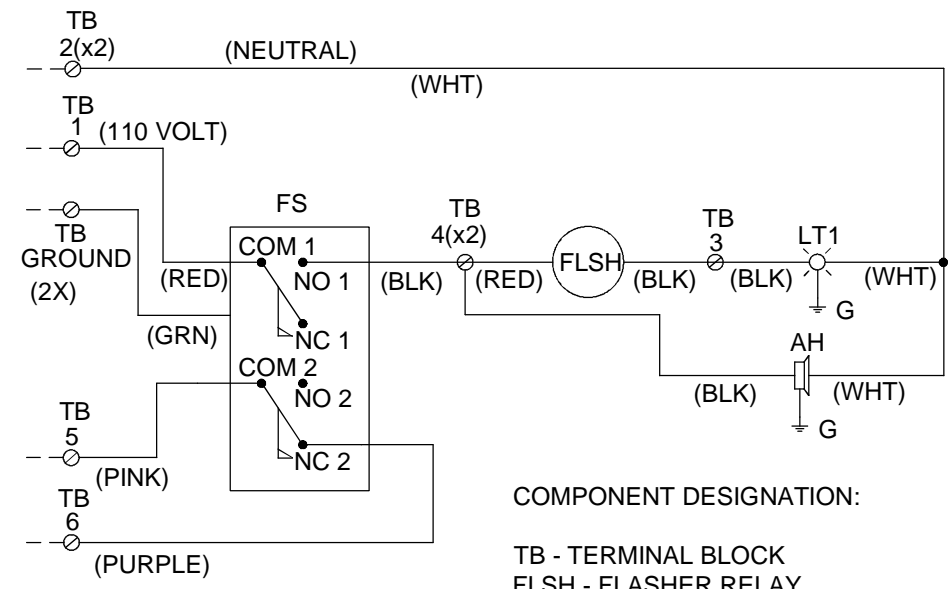




NOTES:

1. AUDIBLE AND VISIBLE ALARM ACTIVATED WHEN SHOWER OR EYEWASH IS IN USE.
2. 120VAC SUPPLY VOLTAGE REQUIRED, APPROXIMATELY 100VA ALL ELECTRICAL HOOKUPS TO MAIN JUNCTION BOX.
3. SYSTEM CERTIFIED AS SUITABLE FOR CLASS I, DIV. 2 GROUPS B, C, D LOCATION INSTALLATION. INSTALLER MUST USE THREAD SEALANT, SUCH AS APPLETON TLC3, RECOMMENDED FOR USE IN HAZARDOUS LOCATIONS ON ALL ELECTRICAL NPT CONNECTIONS.

(CONTINUED ON SHEET 2)



COMPONENT DESIGNATION:

- TB - TERMINAL BLOCK
- FLSH - FLASHER RELAY
- LT1 - RED LIGHT
- FS - FLOW SWITCH
- AH - ALARM HORN

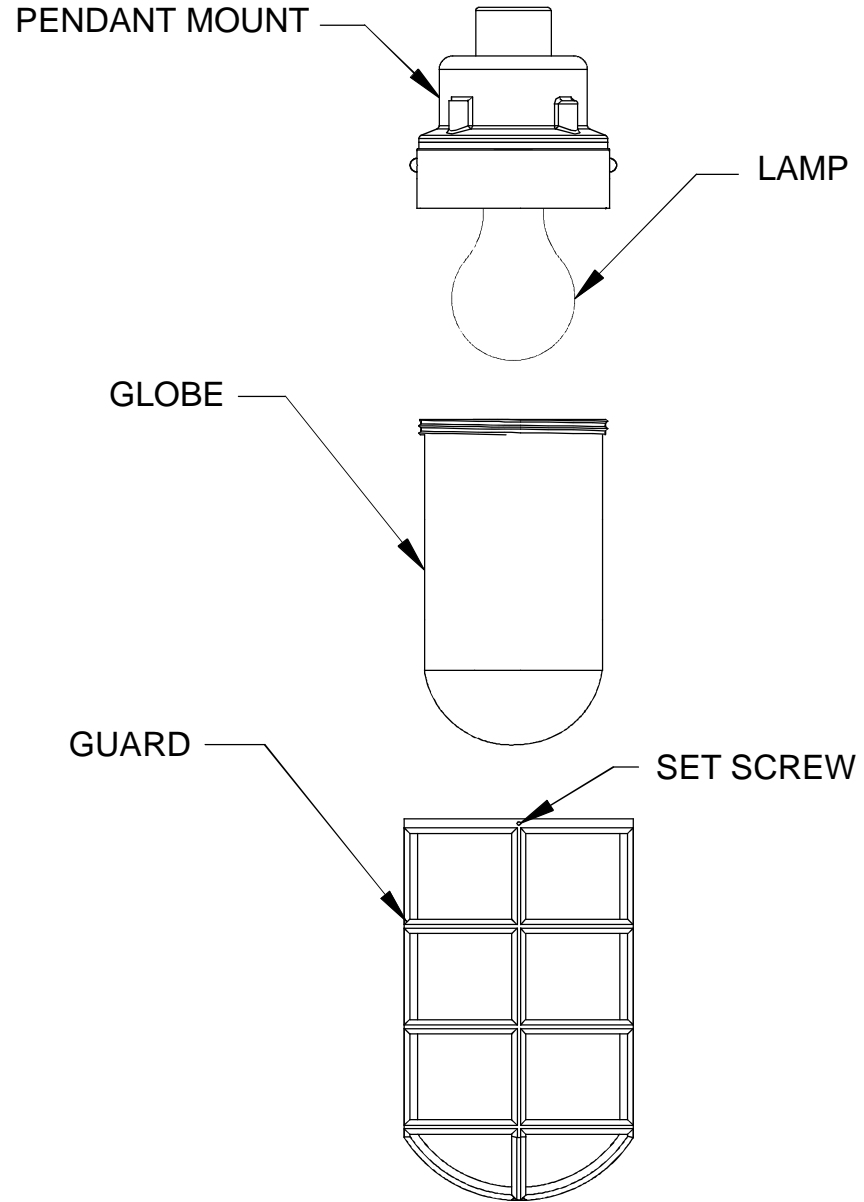
SWITCH MUST BE MOUNTED IN HORIZONTAL POSITION


		1455 KLEPPE LANE SPARKS, NEVADA 89431 (775) 359-4712 FAX (755) 359-7424 E-MAIL: HAWS@HAWSCO.COM WEBSITE: WWW.HAWSCO.COM	
		ECN NO. REVISED PER BY: MODEL(S) ECN: 4938 DATE: VWC:	PART NUMBER 9001EXP ALARM
DRAWN: C.JL DATE: 06/91 APPROVED: FV DATE: 01/08/15	SCALE: 1:1 DRAWING TYPE: INSTALLATION	DRAWING NO. REV 09648A00 21	SHEET 1 OF 2

NOTES: (CONTINUED FROM SHEET 1)

4. LIGHT REPLACEMENT INSTRUCTIONS:

- 1) REMOVE GUARD AND GLOBE:
FIRST LOOSEN SET SCREW (LOCATED ON GUARD WHERE SHOWN). NEXT, ROTATE GUARD COUNTER CLOCKWISE UNTIL GUARD IS FREE. FINALLY ROTATE GLOBE COUNTER CLOCKWISE UNTIL GLOBE IS FREE AND LAMP IS EXPOSED.
- 2) REPLACE LAMP WITH RECOMMENDED 130 VOLT, 60 WATT, RED.
P/N 0003225505
WARNING - EXPLOSION HAZARD - SUBSTITUTION OF COMPONENTS MAY IMPAIR SUITABILITY FOR CLASS 1, DIVISION 2.
- 3) REPLACE GUARD AND GLOBE:
ROTATE GLOBE CLOCKWISE ONTO THREADS UNTIL SEALED AGAINST GASKET. NEXT, ROTATE GUARD CLOCKWISE ONTO THREADS UNTIL TIGHT. FINALLY TIGHTEN SET SCREW.



 Haws [®]		1455 KLEPPE LANE SPARKS, NEVADA 89431 (775) 359-4712 FAX (755) 359-7424 E-MAIL: HAWS@HAWSCO.COM WEBSITE: WWW.HAWSCO.COM	
		ECN NO. REVISED PER BY: MODEL(S) ECN: 4938 VWC	PART NUMBER 0002080203.D
DRAWN: HM DATE: 08/12/09 CHKD.:	DATE: 01/08/15 SCALE: 1:1 DRAWING TYPE: INSTALLATION	DRAWING NO. REV 09468A00 21	SIZE: A SHEET 2 OF 2