



INSTALLATION, OPERATION & MAINTENANCE INSTRUCTIONS

1455 Kleppe Lane ♦ Sparks, NV 89431-6467 ♦ (775) 359-4712 ♦ Fax (775) 359-7424
E-mail: haws@hawsco.com ♦ website: www.hawsco.com

No. 2080202(27)

Model 9001, 9001.5 Alarm

NOTE TO INSTALLER: Please leave this information with the Maintenance Department.

LIMITED WARRANTY

HAWS warrants that this specific product is guaranteed against defective material or poor workmanship for a period of **one year from date of shipment**. HAWS liability under this warranty shall be discharged by furnishing without charge F.O.B. HAWS Factory any goods, or part thereof, which shall appear to the Company upon inspection to be of defective material or not of first class workmanship, provided that claim is made in writing to Haws within a reasonable period after receipt of the product. Where claims for defects are made, the defective part or parts shall be delivered to the Company, prepaid, for inspection. HAWS will not be liable for the cost of repairs, alterations or replacements, or for any expense connected therewith made by the owner or his agents, except upon written authority from HAWS, Sparks, Nevada. HAWS will not be liable for any damages caused by defective materials or poor workmanship, except for replacements, as provided above. Buyer agrees that Haws has made no other warranties either expressed or implied in addition to those above stated, except that of title with respect to any of the products or equipment sold hereunder and that HAWS shall not be liable for general, special, or consequential damages claimed to arise under the contract of sale.

The emergency equipment manufactured by HAWS is warranted to function if installation and maintenance instructions provided are adhered to. The units also must be used for the purpose for which they were intended. This product is intended to supplement first-aid treatment. Due to widely varying conditions, Haws cannot guarantee that the use of this emergency equipment will prevent serious injury or the aggravation of existing or prior injuries.

NO OTHER WARRANTIES EXPRESSED OR IMPLIED ARE AUTHORIZED, PROVIDED OR GIVEN BY HAWS.

SHOULD YOU EXPERIENCE DIFFICULTY WITH THE INSTALLATION OF THIS MODEL PLEASE CALL:

TECHNICAL SUPPORT: 1-800-766-5612

FOR CUSTOMER SERVICE: 1-888-640-4297

RECOMMENDED TOOLS: Pipe joint sealant, screwdriver, pipe wrench, 14 AWG wire, 1/2" conduit and basic electricians' tools for power connection.

LOCATION OF UNIT: The Model 9001 Alarm Series may be mounted directly to the upper standpipe of a safety shower or wall mounted next to a shower or eyewash. The alarm should be clearly visible from several directions.

ELECTRICAL SUPPLY:

Model 9001 & 9001.5 120 VAC 50/60 HZ.

35 watts average power consumption. **WARNING:** Power shall be supplied by a dedicated circuit through a **10 AMP maximum** breaker or fuse and should not supply power to any other devices. **NOT FOR USE IN CLASSIFIED AREAS.**

WATER SUPPLY:

Model 9001 2.4 gpm minimum required to activate flow switch.

Model 9001.5 1.5 gpm minimum required to activate flow switch.

Mount flow switch in supply line with flow in horizontal direction and switch stem extending vertically from tee. Mount switch with at least 6" of straight pipe on both sides to minimize turbulence in switch.

TROUBLESHOOTING	
PROBLEM	REPAIR CHECKLIST
1. Alarm horn and light do not operate.	1. a. Check incoming circuit for power and power from flow switch. b. Check fuse inside horn enclosure. c. Check that the direction of water flow corresponds to the arrow on the flow switch body. d. Check that the switch located on the junction box is in the "on" position. e. Check for continuity through the switch. f. Check all electrical connections. g. Check that water flow is sufficient. h. Faulty flow switch. Replace entire switch assembly.
2. Horn sounds but light does not flash.	2. a. Check wiring connections. b. Replace flashing light.
3. Light flashes but horn does not sound.	3. a. Check wiring connections. b. Make sure the alarm silencing switch is in the "on" position. c. Check fuse inside horn enclosure. d. Replace horn.
4. Alarm stays on.	4. a. Check wiring connections. b. Disconnect flow switch wires and test for continuity.

INSTALLATION PROCEDURE

- STEP 1:** Choose a location for mounting the flow switch in the water supply line. The inlet and outlet ports of the flow switch must be a minimum of 6 inches from any tees or elbows in the water supply line. See attached installation drawing.
- STEP 2:** Mount the flow switch assembly in the water supply line. The switch body must be in the vertical position with the water pipe horizontal. The water flow must be in the direction marked by the arrow on the flow switch body. Use pipe sealing compound on all water pipe connections.
- STEP 3:** Choose a location for mounting the alarm assembly. The alarm housing should be positioned along a vertical axis at least 7 feet above ground for best visibility. The alarm may be mounted directly to a water pipe using the supplied bracket, washers and nuts. The alarm can also be bolted to a flat surface such as a wall using appropriate fasteners (not supplied).
- STEP 4:** Using the wire crimp terminals (supplied), connect the alarm to the power supply per attached installation drawing. The purple wire is connected to the second normally closed contact and the pink wire to the second common contact of the flow switch and may be used for remote alarm activation. The signal from the purple wire will be zero voltage when water is flowing and supply voltage when no water is flowing. If a remote alarm is not used, the purple wire must be insulated at its free end. Leaving the two crimp terminals (supplied) connected will be sufficient insulation.

NOTICE: ALL POWER CONNECTIONS MUST BE MADE ACCORDING TO NEC CODE USING TYPE 4 COMPLIANT EQUIPMENT.

OPERATION AND TEST INSTRUCTIONS

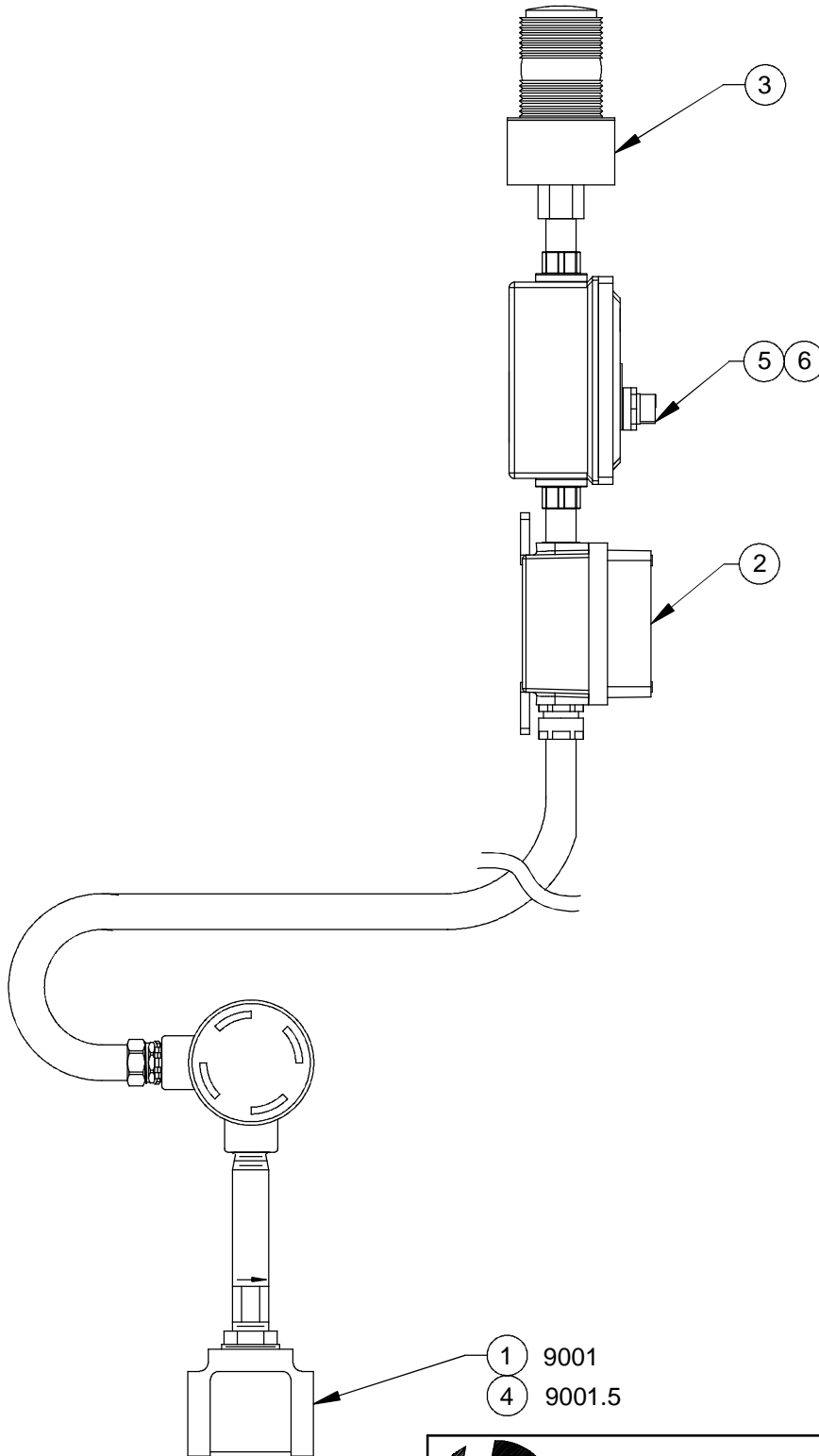
Test weekly. Instruct all employees in the use of emergency showers and eyewashes.

- STEP 1:** Apply power to the alarm branch circuit. The alarm should remain OFF.
- STEP 2:** Open the shower or eyewash flow valve. The alarm should sound and the light should flash shortly after water flows.
- STEP 3:** Shut off the flow valve. The alarm should turn OFF.


For more information on Haws products, see our website: www.hawSCO.com

PARTS BREAKDOWN

ITEM	DESCRIPTION	PART NO.
1	FLOW SWITCH	SP154DPDT
2	120V HORN	0000091335
3	120V LIGHT	0003225300
4	FLOW SWITCH	0005726850
5	SELECTOR SWITCH	0005726705.3
6	LEGEND PLATE	0004465585.2

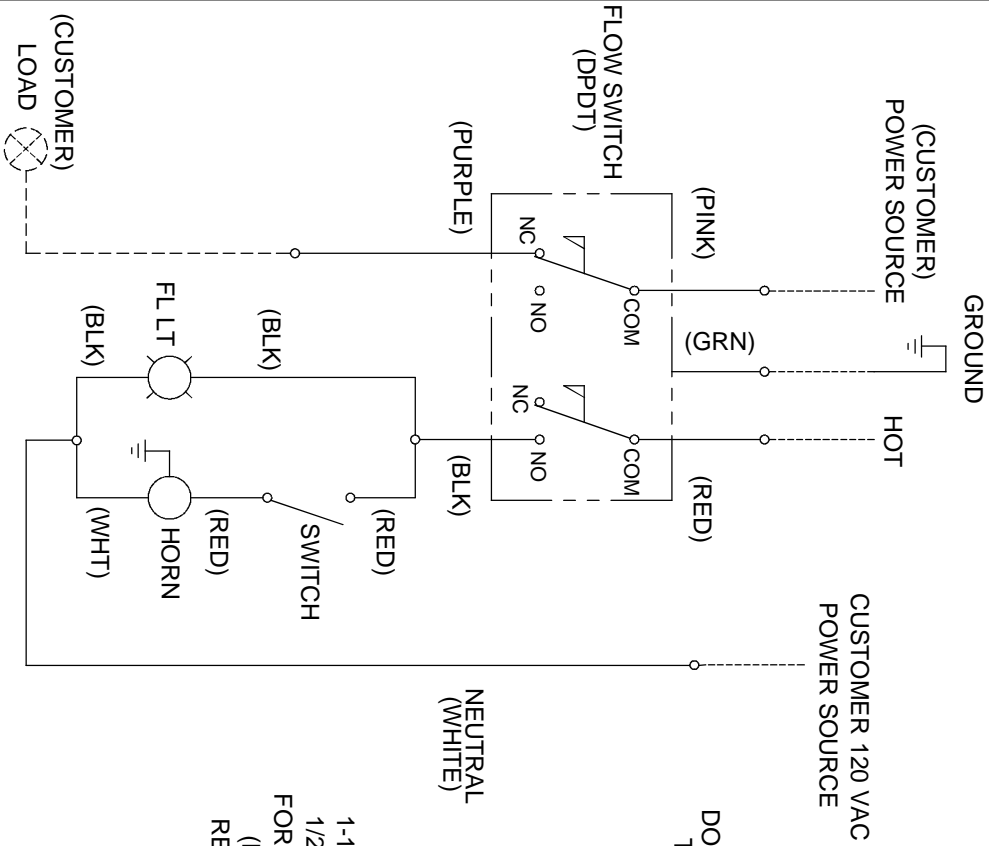


- 1 9001
- 4 9001.5

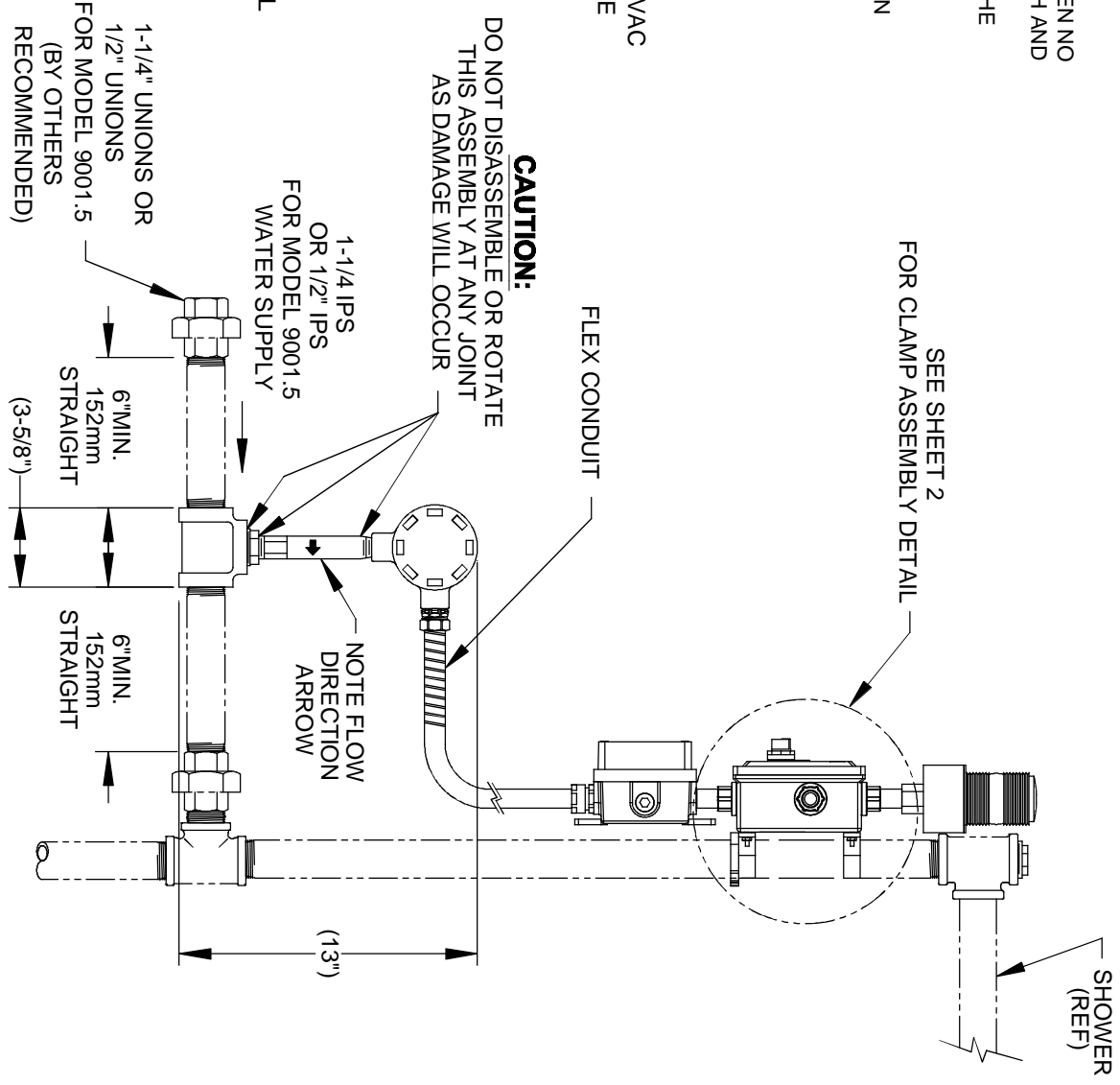
		Haws [®]		1455 KLEPPE LANE SPARKS, NEVADA 89431 (775) 359-4712 FAX (755) 359-7424 E-MAIL: HAWS@HAWSO.COM WEBSITE: WWW.HAWSO.COM	
				ECN NO. REVISED PER BY ECN: 4938 WWC	MODEL(S) 9001/9001.5 ALARM
DRAWN CLE DATE 03/17/93 APPROVED FV DATE 01/08/15	DATE CHKD	SCALE: 1:2.5	DRAWING TYPE: PARTS BREAKDOWN	SIZE: A	SHEET 1 OF 1

WHEN ORDERING PARTS PLEASE SPECIFY MODEL NUMBER.

- NOTES:**
1. THE SIGNAL FROM THE PINK WIRE WILL BE SUPPLY VOLTAGE WHEN NO WATER IS FLOWING AND ZERO VOLTAGE WHEN THE FLOW SWITCH AND LOCAL ALARM ARE ACTIVATED. IF A REMOTE ALARM IS NOT USED, THE PINK WIRE MUST BE INSULATED AT ITS FREE END. LEAVING THE TWO CRIMP TERMINALS (SUPPLIED) CONNECTED WILL DO THIS.
 2. INSTALLER MUST USE A THREAD SEALANT, SUCH AS APPLETON TLC3, RECOMMENDED FOR USE ON ELECTRICAL COMPONENTS ON ALL ELECTRICAL NPT CONNECTIONS.



WIRING DIAGRAM



FLOW SWITCH MUST BE MOUNTED IN HORIZONTAL POSITION

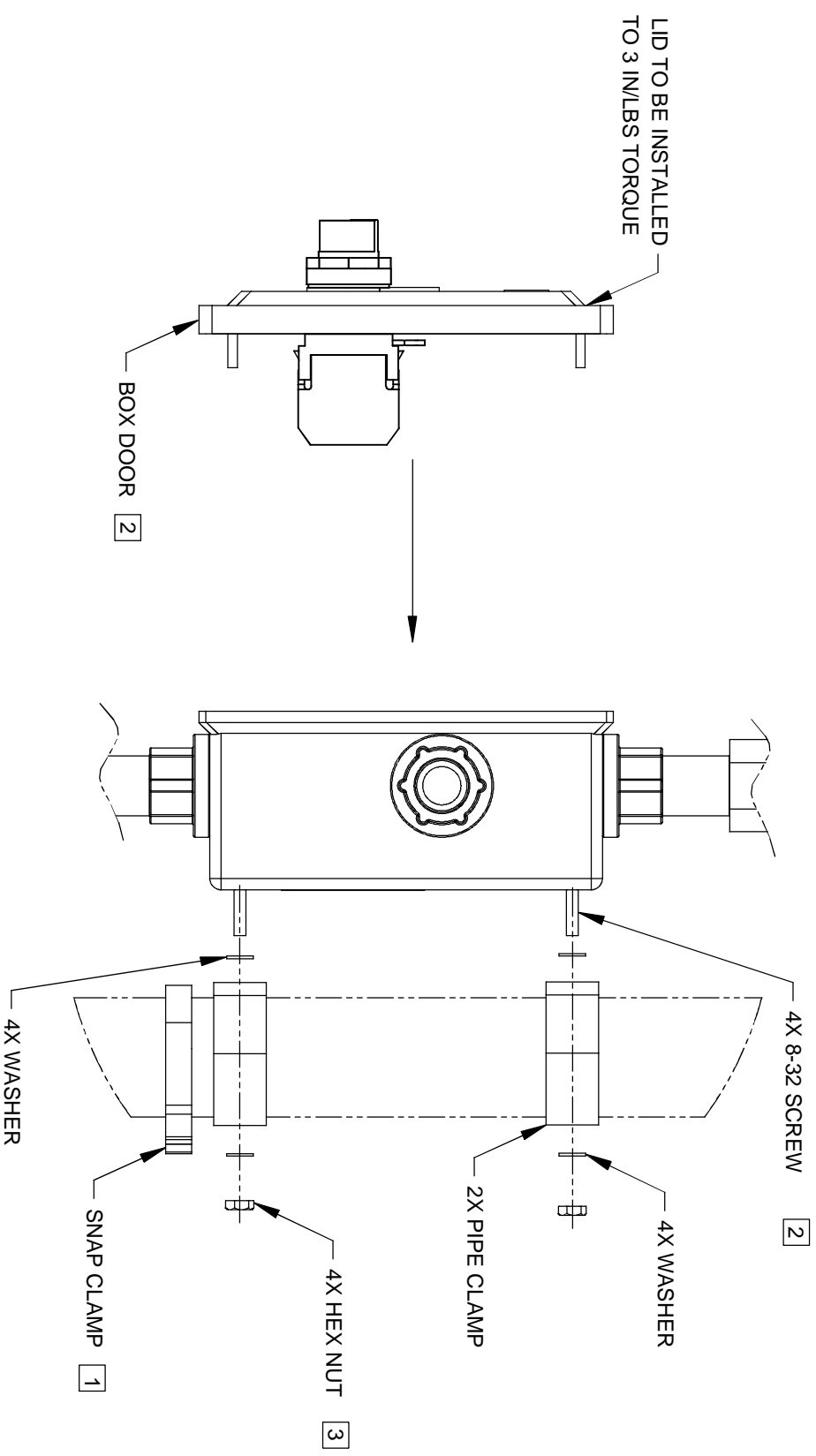


1455 KLEPPE LANE
SPARKS, NEVADA 89431
(775) 359-4712 FAX (775) 359-7424
E-MAIL: HAWS@HAWSCO.COM
WEBSITE: WWW.HAWSCO.COM


EGN NO. REVISED PERBY:	MODEL(S)	PART NUMBER
ECN: 4998 VMC	9001/9001.5 ALARM	0002080202.D
DATE: 01/09/01		DRAWING NO. REV
CHKD:		09254A00 127
C.H. DATE:		
APPROVED: FV DATE: 01/09/15	SCALE: 1:8 DRAWING TYPE: INSTALLATION	SIZE: A SHEET 1 OF 2

NOTES:

- 1 SNAP CLAMP TO BE INSTALLED FIRST FOR VERTICAL SUPPORT.
- 2 SCREWS INSTALLED FROM FRONT, WITH BOX DOOR OFF.
- 3 NUTS TO BE INSTALLED TO A TORQUE OF 12 IN-LBS MAX.



CLAMP ASSEMBLY DETAIL

		MODELS(S) 9001/9001.5 ALARM	
		1455 KLEPPE LANE SPARKS, NEVADA 89431 (775) 359-4712 FAX (755) 359-7424 E-MAIL: HAWS@HAWS.CO.COM WEBSITE: WWW.HAWS.CO.COM	
ECN NO. REVISED PER BY: ECN:4938 WVC	DATE: 01/09/01	SCALE: 1:8	DRAWING TYPE: INSTALLATION
DRAWN: CH DATE: 01/09/01	CHKD:	SIZE: A	SHEET 2 OF 2
APPROVED: FV	DATE: 01/09/01	PART NUMBER 0002080202.D	DRAWING NO. REV 09254A00 27