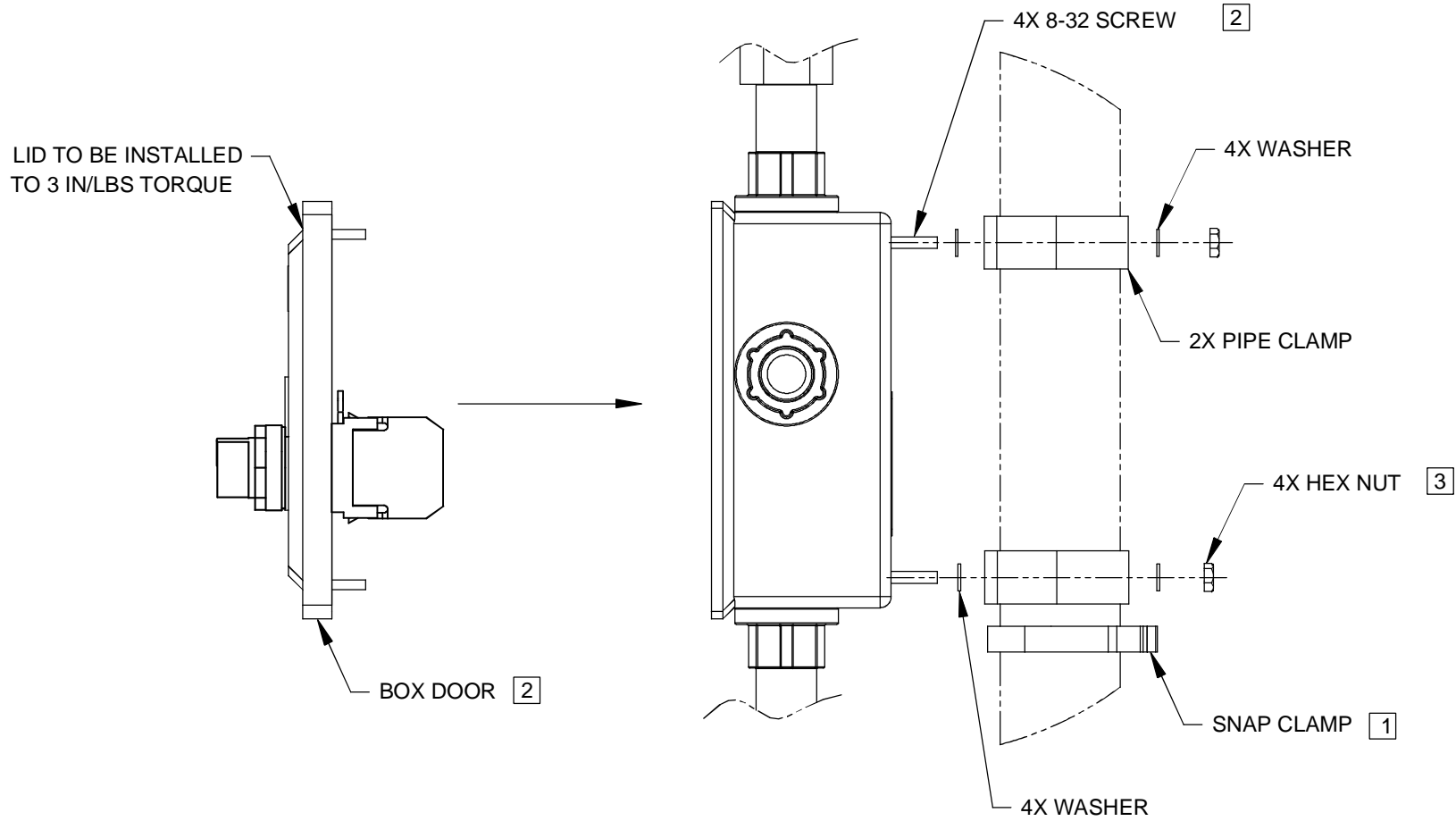





**NOTES:**

- 1 SNAP CLAMP TO BE INSTALLED FIRST FOR VERTICAL SUPPORT.
- 2 SCREWS INSTALLED FROM FRONT, WITH BOX DOOR OFF.
- 3 NUTS TO BE INSTALLED TO A TORQUE OF 12 IN-LBS MAX.



**CLAMP ASSEMBLY DETAIL**

 <b>Haws</b> <sup>®</sup>		1455 KLEPPE LANE SPARKS, NEVADA 89431 (775) 359-4712 FAX (755) 359-7424 E-MAIL: HAWS@HAWSCO.COM WEBSITE: WWW.HAWSCO.COM	
		ECN NO. REVISED PER BY: ECN: 4938 VWC	MODEL(S) 9001/9001.5 ALARM
DRAWN: C.H. DATE: 01/09/01 APPROVED: FV DATE: 01/08/15	CHK'D.: SCALE: 1:8	DRAWING NO. REV 09254A00 27	DRAWING TYPE: INSTALLATION SIZE: A SHEET 2 OF 2