



INSTALLATION, OPERATION & MAINTENANCE INSTRUCTIONS

1455 Kleppe Lane ♦ Sparks, NV 89431-6467 ♦ (775) 359-4712 ♦ Fax (775) 359-7424
E-mail: haws@hawsco.com ♦ website: www.hawsco.com

No. 2080210(11)

Model 8905 Hose Spray

NOTE TO INSTALLER: Please leave this information with the Maintenance Department.

LIMITED WARRANTY

HAWS warrants that this specific product is guaranteed against defective material or poor workmanship for a period of **one year from date of shipment**. HAWS liability under this warranty shall be discharged by furnishing without charge F.O.B. HAWS Factory any goods, or part thereof, which shall appear to the Company upon inspection to be of defective material or not of first class workmanship, provided that claim is made in writing to Haws within a reasonable period after receipt of the product. Where claims for defects are made, the defective part or parts shall be delivered to the Company, prepaid, for inspection. HAWS will not be liable for the cost of repairs, alterations or replacements, or for any expense connected therewith made by the owner or his agents, except upon written authority from HAWS, Sparks, Nevada. HAWS will not be liable for any damages caused by defective materials or poor workmanship, except for replacements, as provided above. Buyer agrees that Haws has made no other warranties either expressed or implied in addition to those above stated, except that of title with respect to any of the products or equipment sold hereunder and that HAWS shall not be liable for general, special, or consequential damages claimed to arise under the contract of sale.

The emergency equipment manufactured by HAWS is warranted to function if installation and maintenance instructions provided are adhered to. The units also must be used for the purpose for which they were intended. This product is intended to supplement first-aid treatment. Due to widely varying conditions, Haws cannot guarantee that the use of this emergency equipment will prevent serious injury or the aggravation of existing or prior injuries.

NO OTHER WARRANTIES EXPRESSED OR IMPLIED ARE AUTHORIZED, PROVIDED OR GIVEN BY HAWS.

SHOULD YOU EXPERIENCE DIFFICULTY WITH THE INSTALLATION OF THIS MODEL PLEASE CALL:

TECHNICAL SUPPORT: 1-800-766-5612

FOR CUSTOMER SERVICE: 1-888-640-4297

LOCATION OF UNIT: The Model 8905 Hose Spray should be installed in close proximity to potential accident areas. It should be clearly identified free from obstructions and easy to access. In order to comply with state codes, the use of a vacuum breaker is required with all hand held eye/face wash and body spray units (Haws offers Model SP212).

SUPPLY LINE: The minimum recommended line size is 1/2" IPS with 30-90 psi (2-6 ATM) flowing pressure. Where sediment or mineral content is a problem, an inlet filter is recommended.

PLUMBING CONNECTIONS: Inlet supply is 1/2" NPT.

TROUBLESHOOTING	
PROBLEM	REPAIR CHECKLIST
1. No flow.	1. a. Check the main shut-off valve.
2. Insufficient water flow.	2. a. Verify minimum 30 psi (2 ATM) flowing supply line pressure. b. Probable clogging of flow control due to inadequate line flushing. Unscrew eye/face wash head and remove the four screws to disassemble the head. Clean flow control and reassemble head. See SP65 Installation Drawing for details.

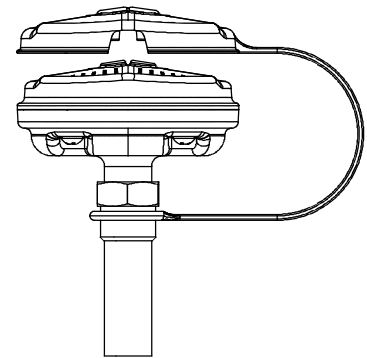
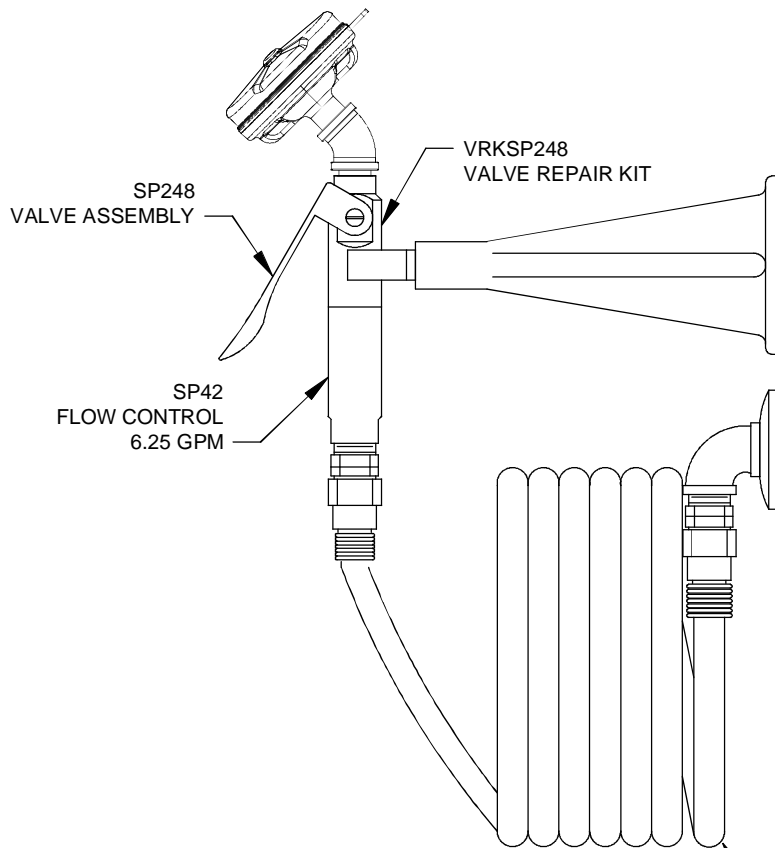
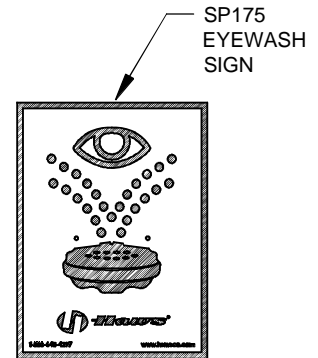
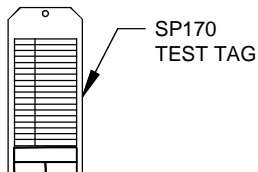
INSTALLATION INSTRUCTIONS

Refer to installation drawing to clarify installation procedure.

STEP 1: Assemble eye/face wash assembly to hose, orient tab on assembly away from user.

For more information about Haws products, see our website: www.hawsc.com

PARTS BREAKDOWN

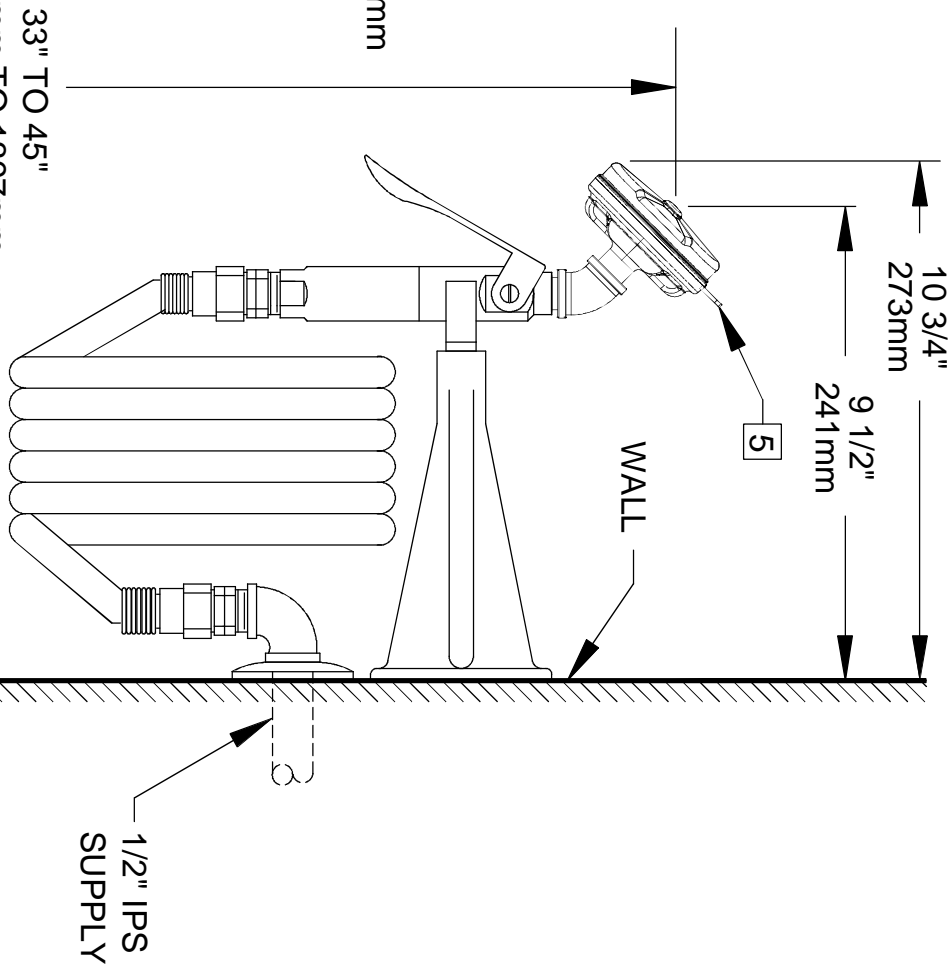
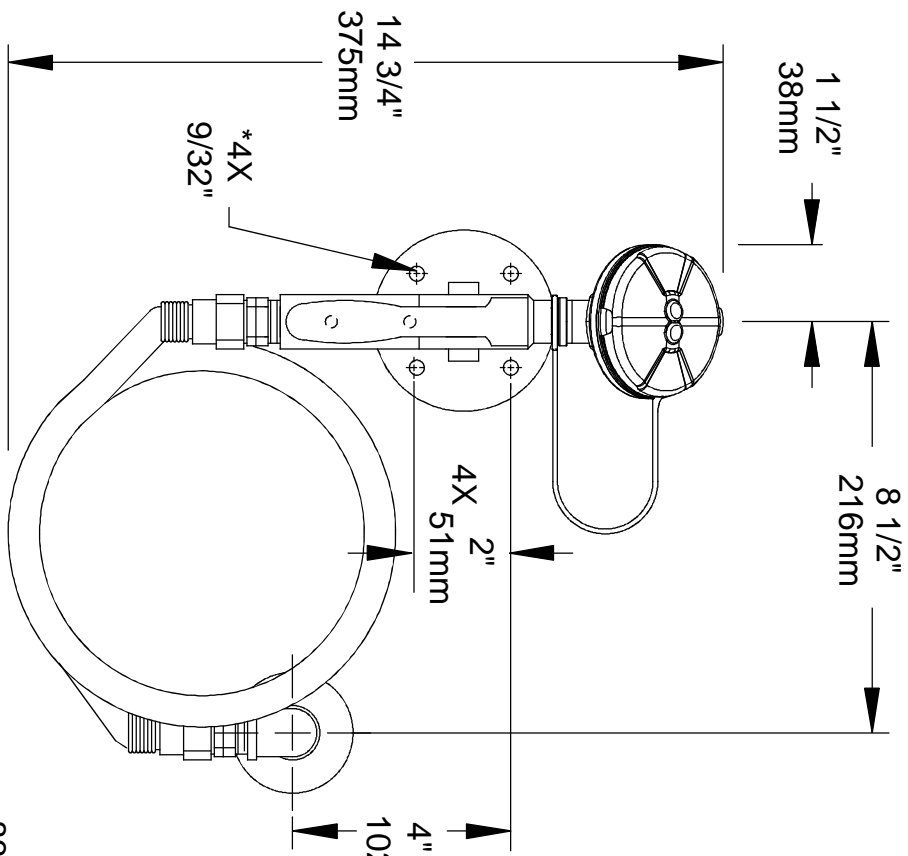


SP65 EYE/FACE WASH ASSEMBLY

(INCLUDES: EYEFACE WASH HEAD (**SHOWN**)
EYEWASH HEAD (**NOT SHOWN**), EYEWASH FLOW
CONTROL (**NOT SHOWN**), DUST COVER (**SHOWN**),
ADAPTER (**SHOWN, NOT USED**))

WHEN ORDERING PARTS PLEASE SPECIFY MODEL NUMBER.


 Haws ®		1455 KLEPPE LANE SPARKS, NEVADA 89431 (775) 359-4712 FAX (755) 359-7424 E-MAIL: HAWS@HAWSCO.COM WEBSITE: WWW.HAWSCO.COM	
ECN NO:	REVISED PER:	BY:	MODEL(S)
4938	4938	VWC	8905
DRAWN:	DATE:	CHKD:	
CH	08/04/05		
APPROVED:	DATE:	SCALE:	DRAWING TYPE:
FV	01/08/15	1:4	PARTS BREAKDOWN
		SIZE:	SHEET 1 OF 1
			REV 11
			PART NUMBER 0002080210



NOTES:

1. DIMENSIONS MAY VARY ±1/2" (12.7mm).
2. IN ORDER TO COMPLY WITH STATE CODES, THE USE OF A VACUUM BREAKER IS REQUIRED WITH ALL HAND HELD EYE/FACE WASH AND BODY SPRAY UNITS (HAWS OFFERS MODEL SP212).
3. TO COMPLY WITH ANSI Z358-1-2009 FOR EMERGENCY EYEWASH OR EYE/FACE WASH EQUIPMENT:
 - UNIT SHALL BE INSTALLED IN ACCORDANCE WITH MANUFACTURERS INSTRUCTIONS AND ACCEPTABLE PLUMBING PRACTICES.
 - EYEWASH OR EYE/FACE WASH SHALL BE POSITIONED WITH NOZZLES NOT LESS THEN 83.8 CM (33 IN.) AND NO GREATER THAN 114.3 CM (45 IN.) FROM SURFACE ON WHICH USER STANDS AND 15.3 CM (6 IN.) MINIMUM FROM WALL OR NEAREST OBSTRUCTION.
- *4. MOUNTING HARDWARE SUPPLIED BY OTHERS.

5 ASSEMBLE EYE/FACE WAS ASSEMBLY TO HOSE: ORIENT TAB ON ASSEMBLY AWAY FROM USER.



Haws

1455 KLEPPE LANE
SPARKS, NEVADA 89431
(775) 359-4712 FAX (775) 359-7424
E-MAIL: HAWS@HAWS.CO.COM
WEBSITE: WWW.HAWS.CO.COM

ECN NO.	REVISED PER BY:	MODEL(S)	PART NUMBER
0002080210.D	WVC	8905	0002080210.D
DATE:	CHKD:		DRAWING NO.
03/28			12086A00
APPROVED BY:	DATE:	SCALE:	SHEET 1 OF 1
	01/15/15	1:4	
DRAWN BY:		DRAWING TYPE:	
WALL MTD EYE/FACE WASH		INSTALLATION:	