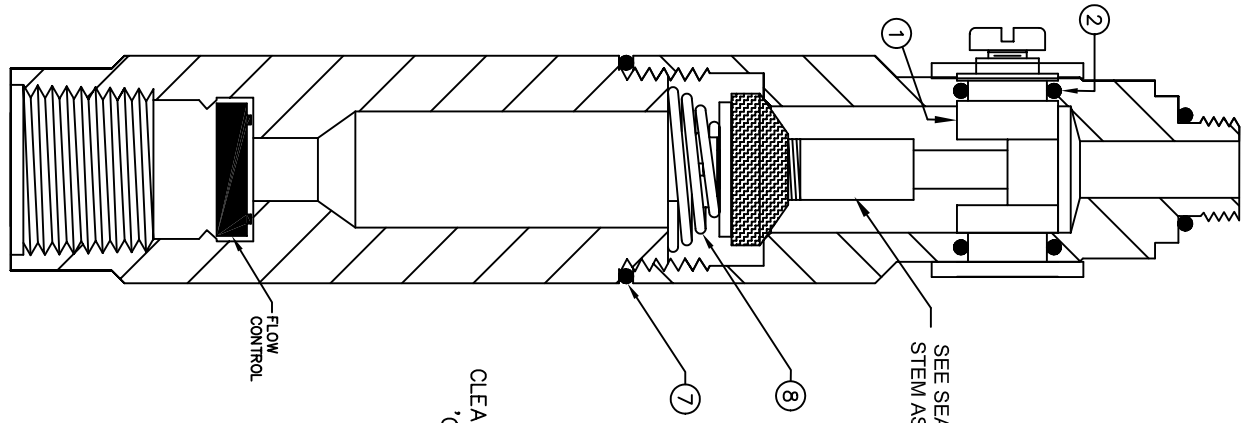
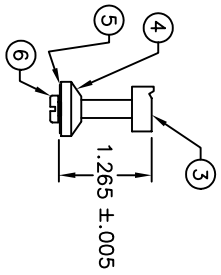


**NOTES:**

1. IN ORDER TO COMPLY WITH STATE CODES, THE USE OF A VACUUM BREAKER IS REQUIRED WITH ALL HAND HELD EYE/FACE WASH AND BODY SPRAY UNITS (HAW'S OFFERS MODEL SP212).



SEE SEAT & OPERATOR STEM ASSEMBLY DETAIL

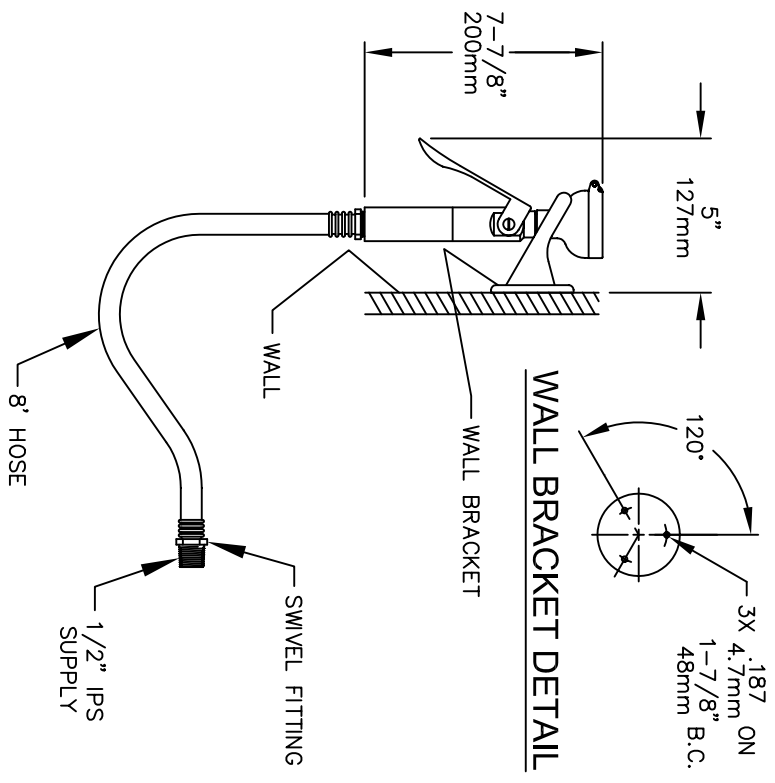


SEAT & OPERATOR STEM ASSEMBLY DETAIL

CLEAN VALVE SEAT AND WASHER THOROUGHLY, LUBRICATE 'O' RING WITH 'O' RING LUBE BEFORE REASSEMBLING.

| ITEM NO. | QUANTITY | DESCRIPTION      |
|----------|----------|------------------|
| ①        | 1        | CAM OPERATOR     |
| ②        | 2        | 'O' RING FOR CAM |
| ③        | 1        | OPERATOR STEM    |
| ④        | 1        | SEAT WASHER      |
| ⑤        | 1        | HOLDER WASHER    |
| ⑥        | 1        | SCREW            |
| ⑦        | 1        | 'O' RING         |
| ⑧        | 1        | SPRING           |

**VALVE REPAIR DETAIL**  
**MODEL VRK SP248**  
**OPTIONAL**



**WALL BRACKET DETAIL**



1455 KLEPPE LANE  
SPARKS, NEVADA 89431  
(775) 359-4712 FAX (775) 359-7424  
E-MAIL: HAW'S@HAWSCC.COM  
WEBSITE: WWW.HAWSCC.COM

|                                |             |           |                                |                |                |                |                |                |                |
|--------------------------------|-------------|-----------|--------------------------------|----------------|----------------|----------------|----------------|----------------|----------------|
| EQN NO. 1                      | REVISED FOR | MODEL(S): | DATE: 05/20/91                 | DATE: 05/20/91 | DATE: 05/20/91 | DATE: 05/20/91 | DATE: 05/20/91 | DATE: 05/20/91 | DATE: 05/20/91 |
| CH                             | CH          | CH        | CH                             | CH             | CH             | CH             | CH             | CH             | CH             |
| 8901B EYE/FACE WASH BODY SPRAY |             |           | 8901B EYE/FACE WASH BODY SPRAY |                |                |                |                |                |                |
| INFO FAX DOC # 289012          |             |           | INFO FAX DOC # 289012          |                |                |                |                |                |                |
| INSTALLATION/FABRICATION       |             |           | INSTALLATION/FABRICATION       |                |                |                |                |                |                |
| SIZE: A                        |             |           | SIZE: A                        |                |                |                |                |                |                |
| SHEET: 1 OF 1                  |             |           | SHEET: 1 OF 1                  |                |                |                |                |                |                |