



model **8770**
Indoor Gravity Fed Shower

FEATURES & BENEFITS

CONSTRUCTION

Type 304 Stainless Steel pipe, valves, tank and structural members provide superior defense in a highly corrosive environment.

QUALITY CONTROL

Fully assembled and Engineer tested product that is ready for placement and hook-up.

READY TO USE

No need to punch holes - a choice of panel kits provide the specific layout needed for each of the available Haws thermostatic mixing valves.

VALVES

Eye/face wash valve is designed to make the flushing of contaminants occur with the simple push of a stainless steel flag. Shower ball valve is designed to make the flushing of fluid remains occur with the pull of a triangular lever. Both are made of Type 316 stainless steel.

EYEWASH HEAD

AXION® MSR eyewash head (patent pending) uses an inverted directional laminar flow to sweep contaminants away from the vulnerable nasal cavity.

OPTIONS

To see all options for this model, visit www.hawasco.com



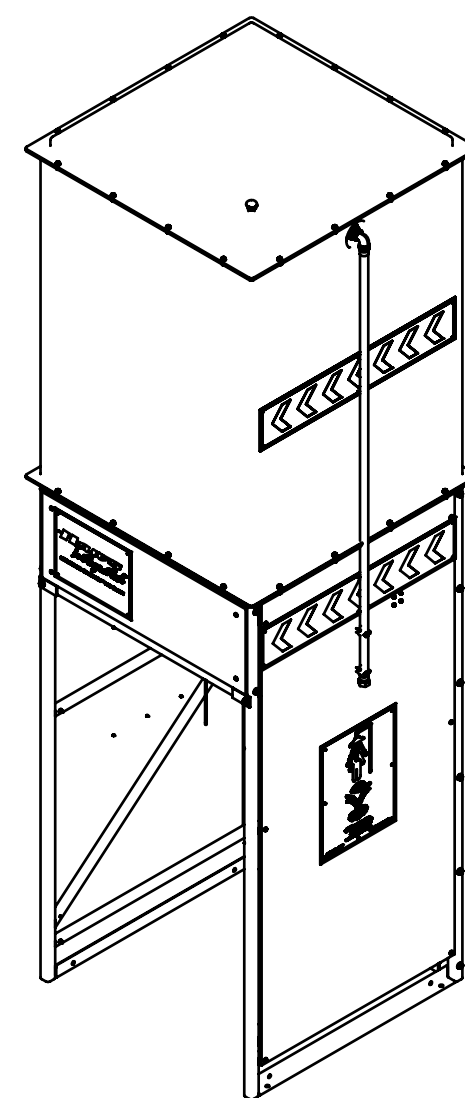
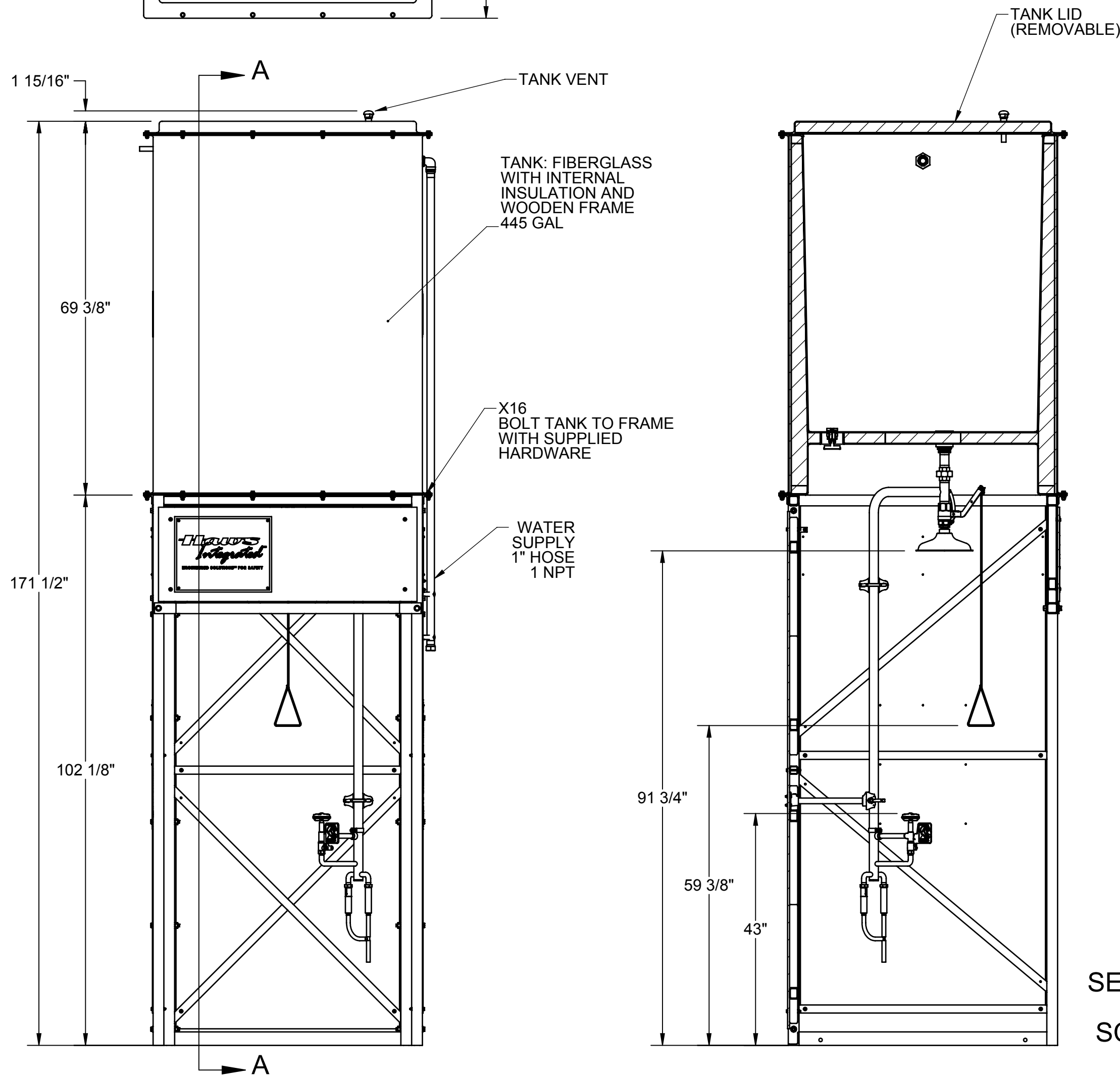
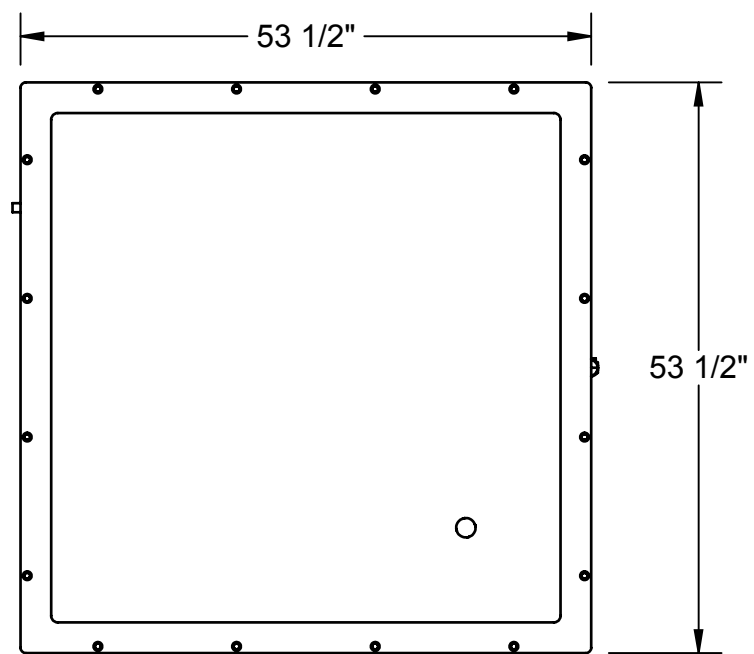
SPECIFICATIONS

Model 8770 shower and eyewash shall include a stainless steel structure with bright yellow elastomeric chemically resistant water-proof side panels and 430 gallon (1628 L) overhead tank. The emergency flushing is provided by a hydrodynamic showerhead as well as the medically acclaimed AXION® MSR eyewash. (Patent pending) This system is designed to operate with a number of tempering and electrical options.

APPLICATIONS

Perfect for mining, Petro-Chemical, bio-diesel, and ethanol processing facilities as well any other remote indoor location without a potable water supply where a drench shower and eyewash are required.





APPROVALS	DATE	 Haws 1455 KLEPPE LANE SPARKS, NEVADA 89431 USA	TITLE	
DRAWN			8770 Booth, Tank, and Shower	
CHECKED			THIRD ANGLE PROJECTION	
APPROVED			SHOP	SH 1 OF 2
CUSTOMER INFO TAG #:		SCALE	SIZE	PART NO.
		1:32	C	8770.25.31
				REV. 1