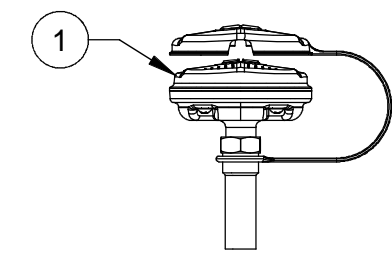
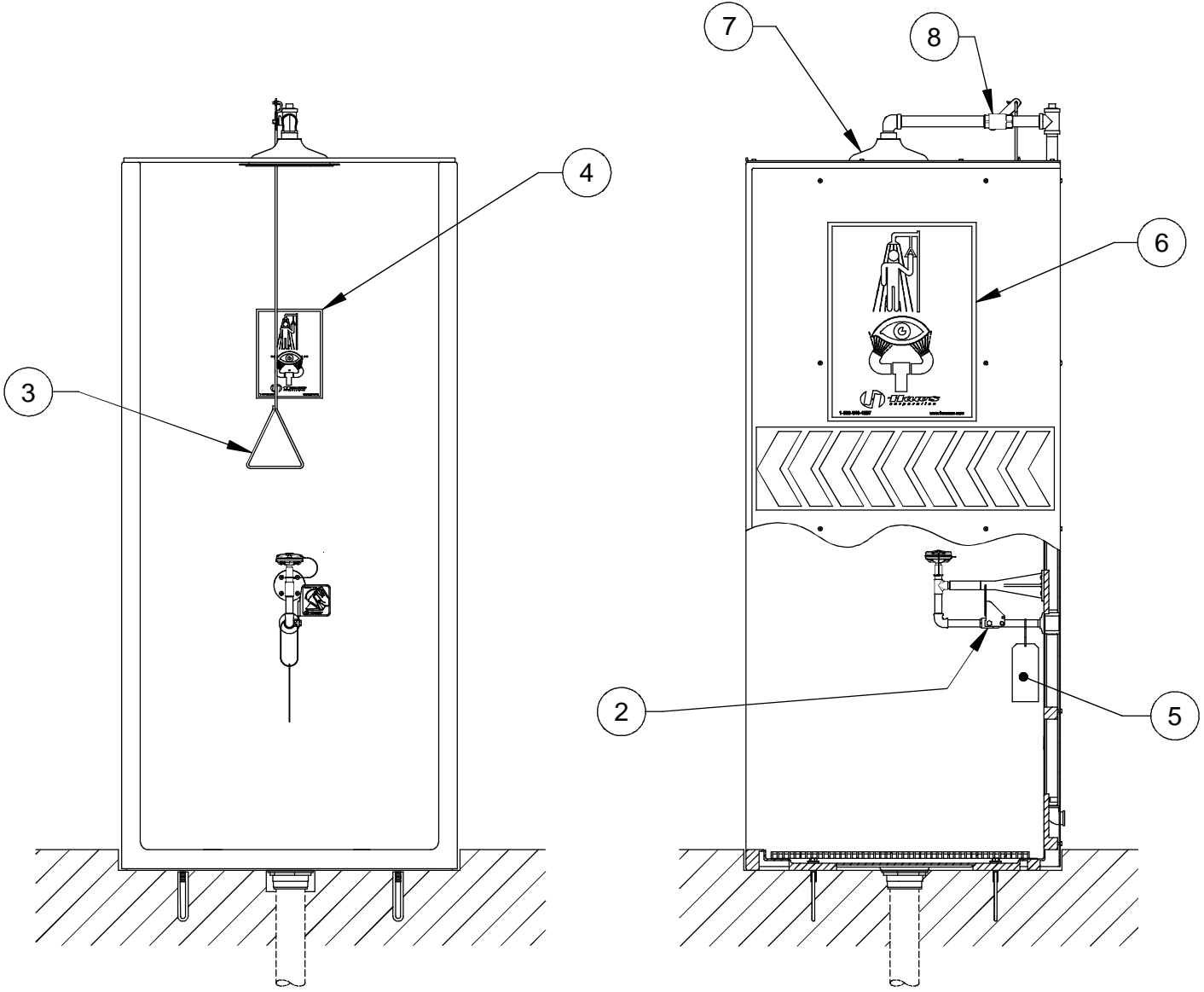


PARTS BREAKDOWN

ITEM	DESCRIPTION	PART NO.
1	EYE/FACE WASH ASSEMBLY	SP65
2	VALVE ASSEMBLY	SP229
3	PULL ROD	SP202
4	SHOWER/EYEWASH SIGN	SP178
5	TEST TAG	SP170
6	SHOWER/EYEWASH LABEL	SP178LG
7	SHOWER HEAD	SP829
8	SHOWER VALVE ASSEMBLY	-



WHEN ORDERING PARTS PLEASE SPECIFY MODEL NUMBER.

 Haws [®]		1455 KLEPPE LANE SPARKS, NEVADA 89431 (775) 359-4712 FAX (775) 359-7424 E-MAIL: HAWS@HAWSCO.COM WEBSITE: WWW.HAWSCO.COM	
		ECN NO. REVISED PER BY ECN: 4888 HM	MODEL(S) 8605WC EMERGENCY SHOWER
DRAWN RTM DATE 8/16/01 APPROVED	DATE CHKD	DRAWING NO. 15124C00	REV 10
SCALE: 1:10		DRAWING TYPE: PARTS BREAKDOWN	SIZE: A SHEET 1 OF 1