



Haws®

model 8356WCW

AXION® MSR Barrier-Free Recessed Shower and Eye/Face Wash

FEATURES & BENEFITS

CONSTRUCTION

18 Gauge Type 304 Stainless Steel recessed cabinet is a deep-drawn heavy duty structure with smudge resistant bead blast finish to provide a durable, long lasting product.

QUALITY CONTROL

Eye/face wash and valve assembly are pre-built and fully water/pressure tested to ensure no leaks and proper function which ultimately reduces installation time.

ACCESSIBILITY

Pull-down design accommodates all users including wheelchair accessibility.

SHOWER HEAD

AXION® MSR stainless steel showerhead uses a hydrodynamic design to give equal distribution of water throughout the entire footprint of flow.

EYE/FACE WASH

AXION® MSR eye/face wash head (patent pending) uses an inverted directional laminar flow to sweep contaminants away from the vulnerable nasal cavity.



OPTIONS

- ❑ Test Tag: SP170 is a green waterproof test card with space for date and initials of inspector. Used to record weekly testing of emergency equipment.
- ❑ Large Shower/Eyewash Sign: Model SP178LG large vertical universal combination emergency shower and eyewash sign. Size: 18" x 24" (45.7 x 61 cm).
- ❑ Thermostatic Mixing Valve: Model 9201E AXION® Emergency Tempering Valve thermostatically mixes hot and cold water to provide a safe fluid supply for emergency showers and eyewash equipment, with a flow rate of 31 gpm (117.3 L).
- ❑ Thermostatic Mixing Valve: Model 9201H Lead-free AXION® Emergency Tempering Valve thermostatically mixes hot and cold water to provide a safe fluid supply for emergency showers and eyewash equipment, with a flow rate of 31 gpm (117.3 L).

To see all options for this model, visit www.hawasco.com

SPECIFICATIONS

Model 8356WCW barrier-free combination shower and eye/face wash shall include an AXION® MSR eye/face wash head shall feature inverted directional laminar flow which achieves zero vertical velocity supplied by an integral flow control. Unit shall also include the AXION MSR hydrodynamic design stainless steel showerhead with flow control supplied from the wall, a fully recessed wall mounted 18 Gauge, Type 304 stainless steel deep-drawn cabinet, wheel chair accessibility, and polished chrome-plated brass pull-down valve with easy access in-line strainer. Unit shall also include brass pipe and fittings, a drain pan, a front-access maintenance panel, universal sign, 1" NPT(F) inlet and 2" NPT(F) drain. Operating pressure is 30 - 90 psi (2.1 - 6.2 bar).

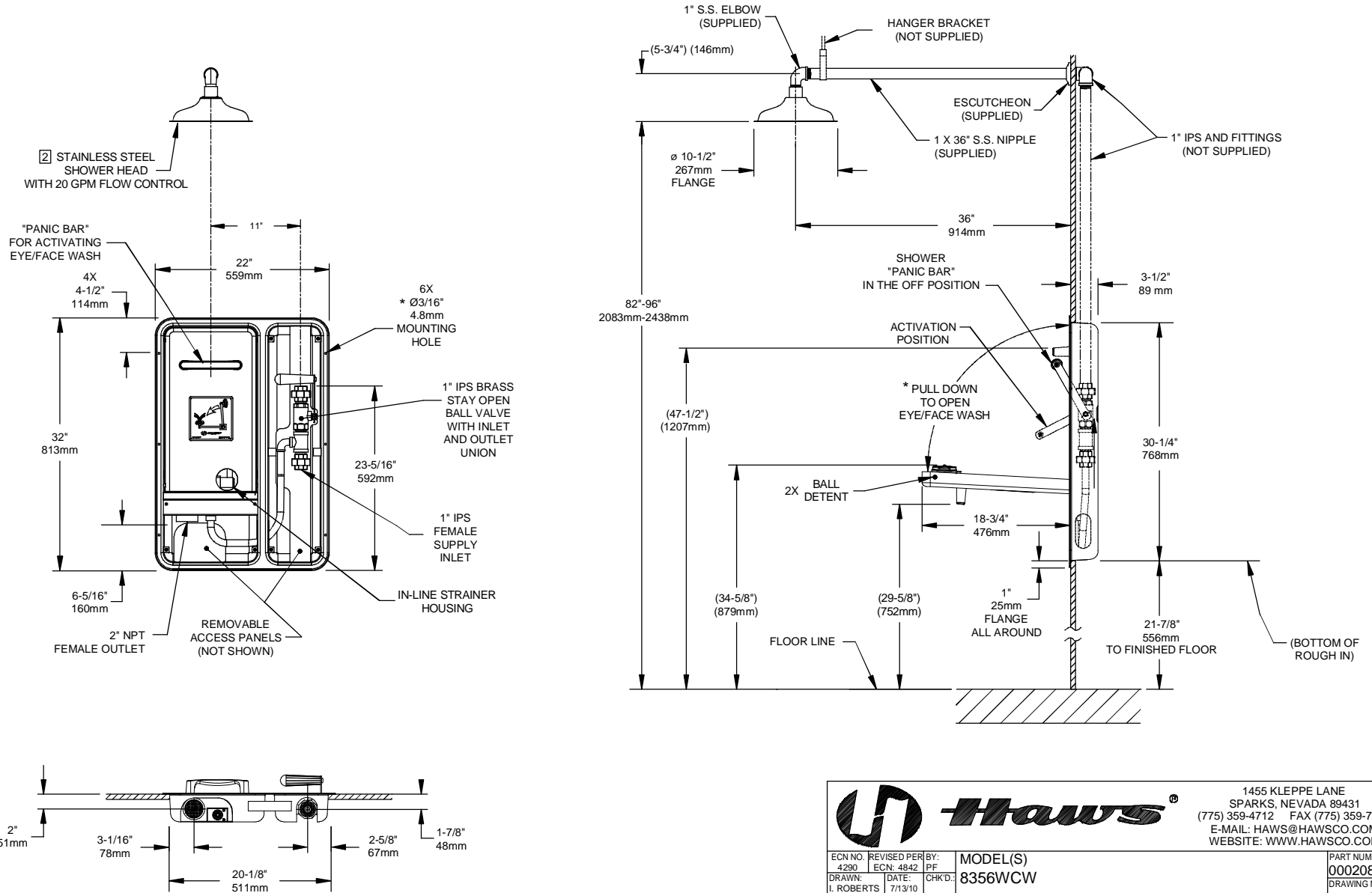
APPLICATIONS


Where the eyes, face, or body of any person may be exposed to injurious or corrosive materials, suitable facilities for quick drenching or flushing of the eyes, face, and body shall be provided within the work area for immediate emergency use. Emergency eye/face wash facilities and deluge showers shall be in unobstructed and accessible locations that require no more than 10 seconds for the injured person to reach. Model 8356WCW is certified by CSA to meet the ANSI Z358.1 Standard for Emergency Eyewash and Shower Equipment.



NOTES:

1. WHEN INSTALLING THIS UNIT, LOCAL, STATE OR FEDERAL CODES SHOULD BE ADHERED TO. WASTE CONNECTION MUST ADHERE TO LOCAL HEALTH AND PLUMBING CODES.
2. SHOWER HEAD MUST BE POSITIONED IN-LINE WITH EYE/FACEWASH HEAD TO ALLOW FOR SIMULTANEOUS USE BY THE SAME USER PER ANSI Z358.1.
3. FLOW RATE FOR EYE/FACE WASH IS 3.7 GPM AND EXCEEDS ANSI STANDARD Z358.1.
4. DIMENSIONS MAY VARY BY $\pm 1/2"$ [12.7mm].
- * 5. MOUNTING HARDWARE NOT SUPPLIED.





1455 KLEPPE LANE
SPARKS, NEVADA 89431
(775) 359-4712 FAX (775) 359-7424
E-MAIL: HAWS@HAWS.CO.COM
WEBSITE: WWW.HAWS.CO.COM

ECN NO. 4290	REVISED PER	BY: PF	MODEL(S)	PART NUMBER:
4290	ECN: 4842		8356WCW	0002080172.D
DRAWN: I. ROBERTS	DATE: 7/13/10	CHK'D:		DRAWING NO.:
APPROVED:	DATE:			15919A00
			SCALE: 1/18	DRAWING TYPE: INSTALLATION
				SIZE: A SHEET 1 OF 1