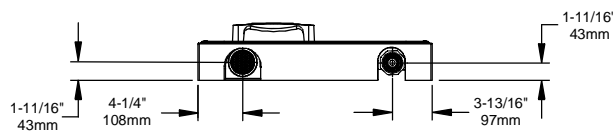
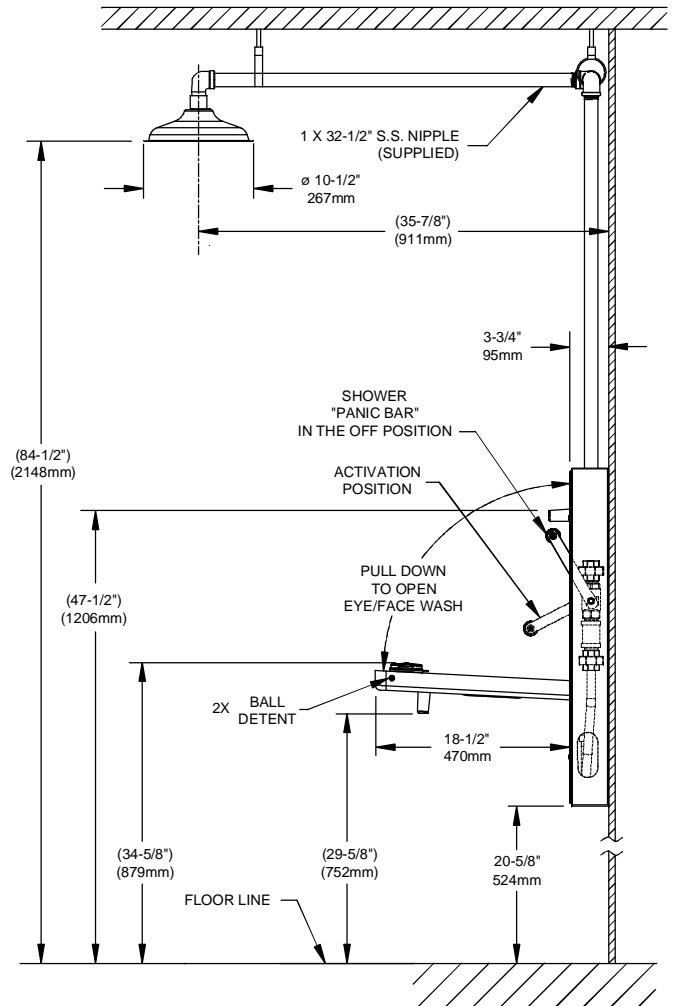
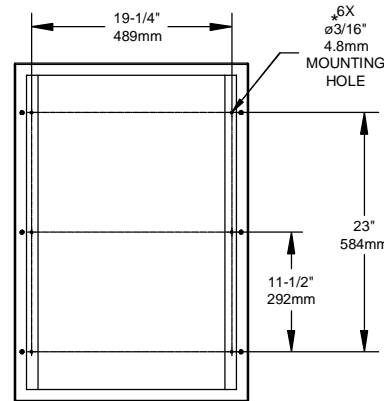
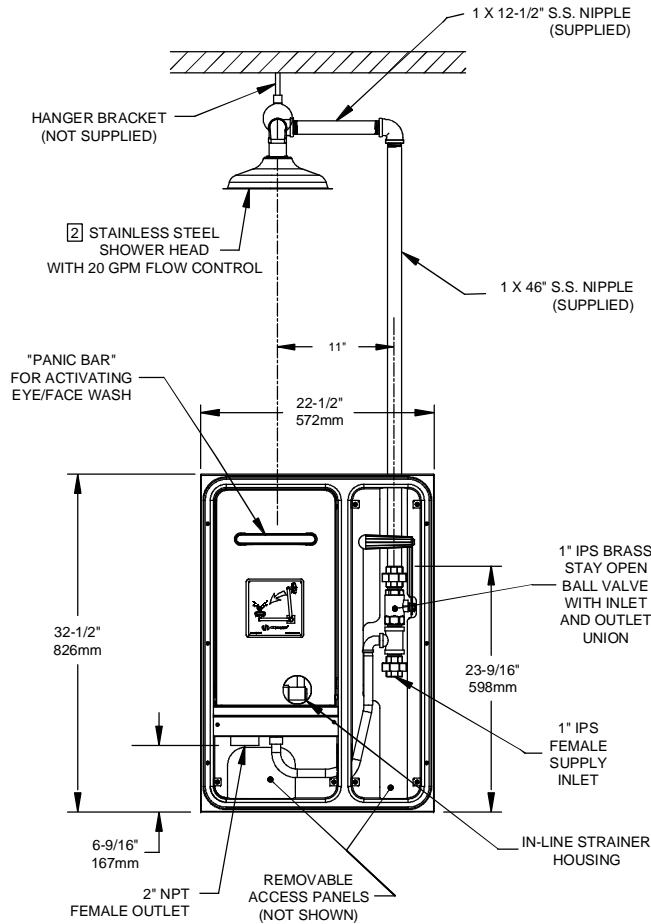


NOTES:

1. WHEN INSTALLING THIS UNIT, LOCAL, STATE OR FEDERAL CODES SHOULD BE ADHERED TO. WASTE CONNECTION MUST ADHERE TO LOCAL HEALTH AND PLUMBING CODES.
2. SHOWER HEAD MUST BE POSITIONED IN-LINE WITH EYE/FACEWASH HEAD TO ALLOW FOR SIMULTANEOUS USE BY THE SAME USER PER ANSI STANDARD Z358.1.
3. FLOW RATE FOR EYE/FACE WASH IS 3.7 GPM AND EXCEEDS ANSI STANDARD Z358.1.
4. DIMENSIONS MAY VARY BY $\pm 1/2"$ [12.7mm].
- * 5. MOUNTING HARDWARE NOT SUPPLIED.



		1455 KLEPPE LANE SPARKS, NEVADA 89431 (775) 359-4712 FAX (775) 359-7424 E-MAIL: HAWS@HAWS.CO.COM WEBSITE: WWW.HAWS.CO.COM	
		ECN NO. 4290 DRAWN: I. ROBERTS APPROVED: FV	REVISED PER: ECN: 4933 DATE: 7/13/10 DATE: 10/21/14
PART NUMBER 0002080150.D		REVISION 6	
SCALE: 1/19		DRAWING TYPE: INSTALLATION	
SIZE: A		SHEET 1 OF 1	