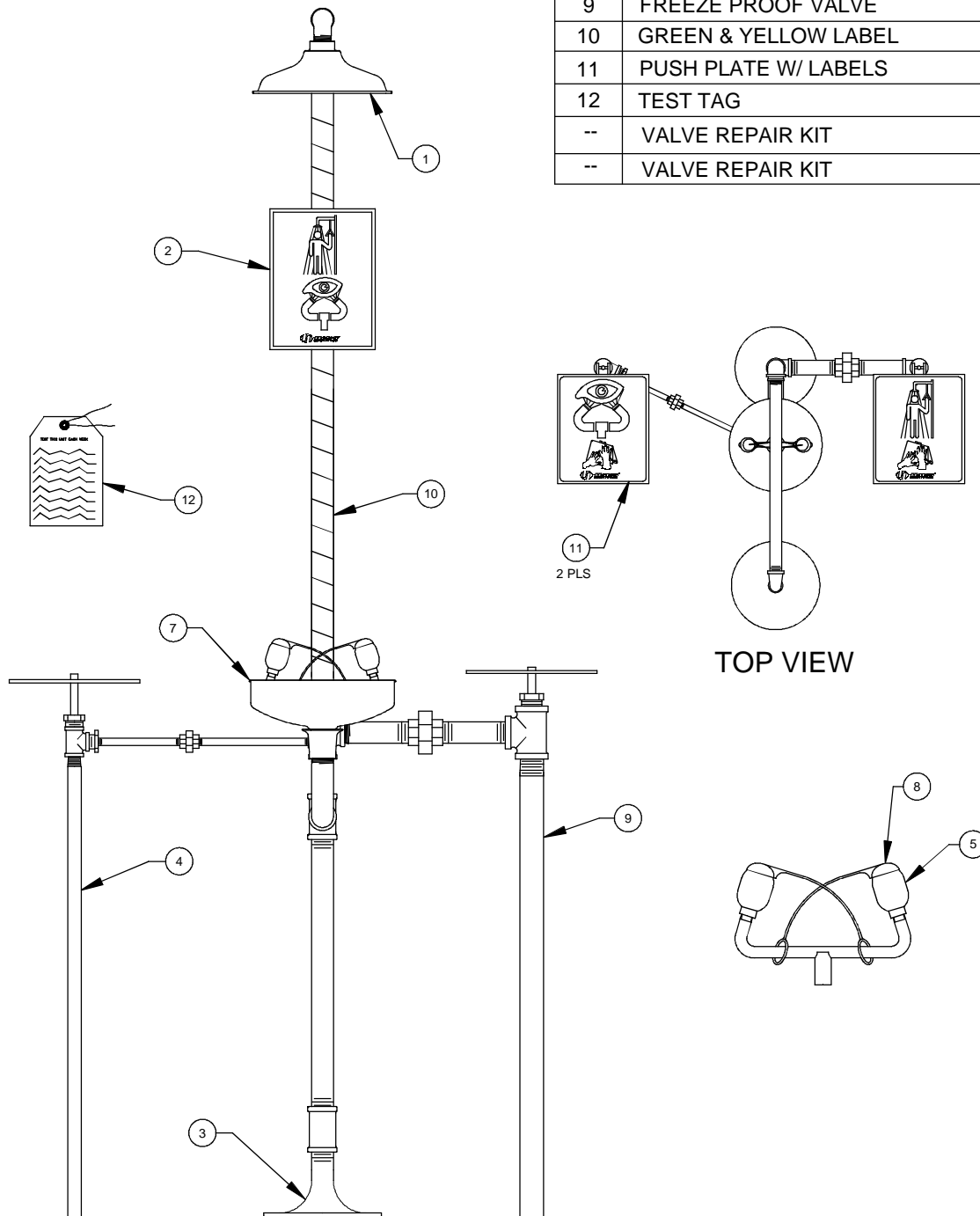



# PARTS BREAKDOWN

ITEM	DESCRIPTION	PART NO.
1	SHOWER HEAD	8129FC
2	SHOWER SIGN	SP178
3	FLOOR FLANGE	SP75
4	FREEZE PROOF VALVE	MK8A
5	EYEWASH HEADS	SP11FC
7	SS BOWL	SP90
8	EYEWASH DUST COVERS	9095
9	FREEZE PROOF VALVE	MK81A
10	GREEN & YELLOW LABEL	SP185
11	PUSH PLATE W/ LABELS	SP218
12	TEST TAG	SP170
--	VALVE REPAIR KIT	VRKMK81A
--	VALVE REPAIR KIT	VRKMK8A



 <b>Haws</b> <sup>®</sup>		1455 KLEPPE LANE SPARKS, NEVADA 89431 (775) 359-4712 FAX (755) 359-7424 E-MAIL: HAWS@HAWSCO.COM WEBSITE: WWW.HAWSCO.COM	
		ECN NO. REVISED PER BY ECN: 4838 HM	MODEL(S) 8300FP
DRAWN CLF APPROVED	DATE 03/10/93 DATE	CHKD	DRAWING NO. 11491C00 REV 14
SCALE: 1:8		DRAWING TYPE: PARTS BREAKDOWN	SIZE: A SHEET 1 OF 1

WHEN ORDERING PARTS PLEASE SPECIFY MODEL NUMBER.