



## FEATURES & BENEFITS

### CONSTRUCTION

1-1/4" IPS Schedule 40 hot-dipped galvanized steel pipe and fittings along with powder-coated cast-iron 9" (22.9 cm) diameter floor flange provide corrosion resistance in a long lasting product.

### QUALITY CONTROL

Eye/face wash and valve assembly are pre-built and fully water/pressure tested to ensure no leaks and proper function which ultimately reduces installation time.

### VALVES

Eyewash and shower ball valves are designed to make the flushing of fluid remains occur with the simple pull of a lever or push of a stainless steel flag. The ball and stem is stainless steel to provide greater protection against corrosion and breakage, and is equipped with a special self-draining feature to prevent the unit from freezing.

### SHOWER HEAD

AXION® MSR ABS plastic drench showerhead uses a hydrodynamic design to give equal distribution of water throughout the entire footprint of flow.

### FLOW CONTROLS

Green ABS designed plastic showerhead and anti-surge Soft-Flo eyewash heads equipped with integral 20 gpm (75.7 L) flow shower control and built in 1.2 gpm (4.5 L) flow eyewash control allow both parts of the emergency equipment to be safely used simultaneously. Flow controls provide the optimal water flow for an ideal coverage area.

## OPTIONS

- ❑ Test Tag: SP170 is a green waterproof test card with space for date and initials of inspector. Used to record weekly testing of emergency equipment.
- ❑ Large Shower/Eyewash Sign: Model SP178LG large vertical universal combination emergency shower and eyewash sign. Size: 18" x 24" (45.7 x 61 cm).
- ❑ Emergency Body Spray Kit: Model 8901RFK, body spray unit with ABS plastic head, stay open squeeze lever valve, 8 foot (243.8 cm) hose, and installation kit.
- ❑ AXION® MSR Showerhead: Model SP829SS, AXION® MSR stainless steel drench showerhead with integral 20 gpm (75.7 L) flow control.

To see all options for this model, visit [www.hawesco.com](http://www.hawesco.com)



## SPECIFICATIONS

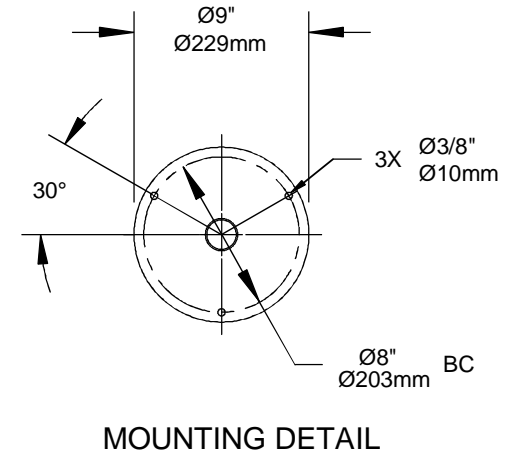
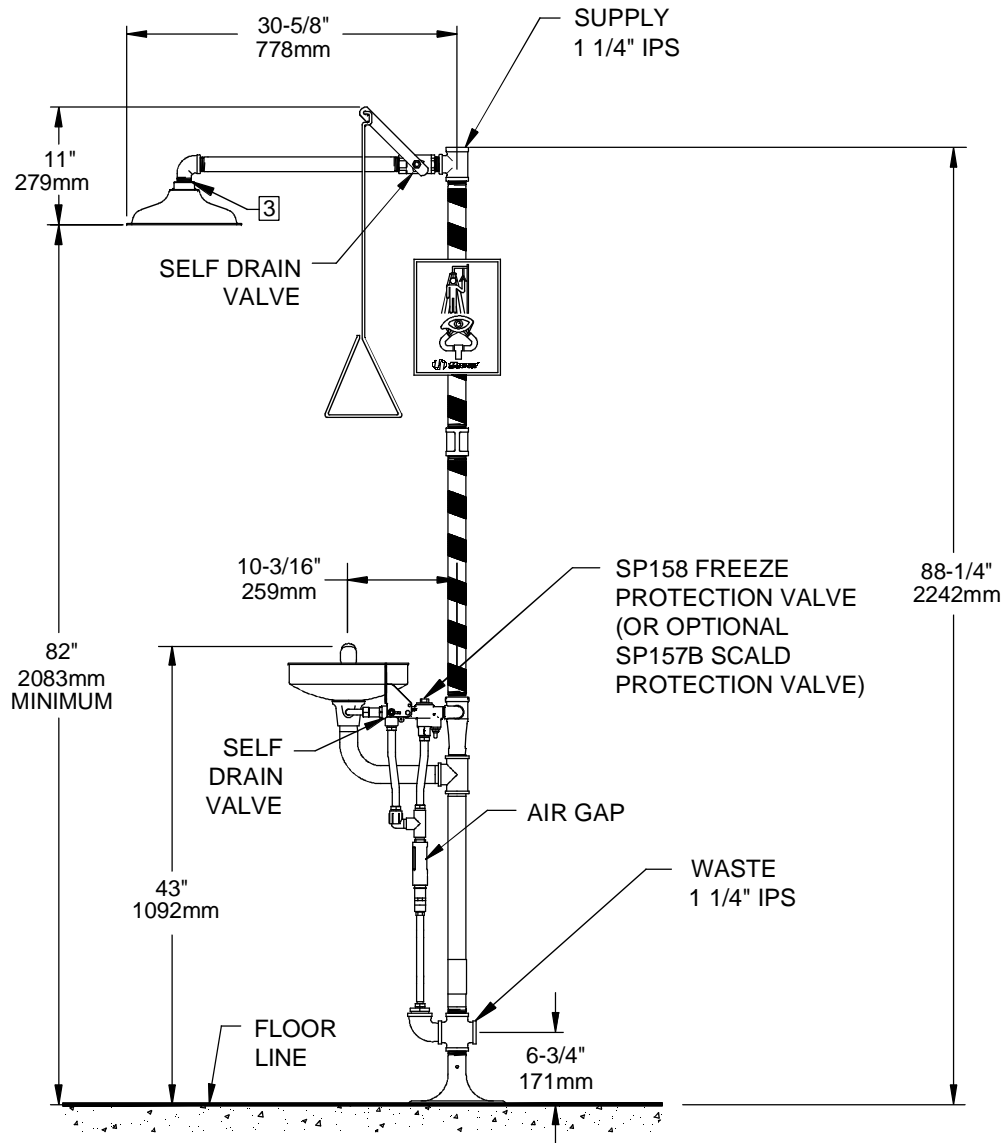
Model 8300.158 combination shower and eyewash shall include an AXION® MSR hydrodynamic showerhead, stainless steel 11" round bowl, stainless steel eyewash yoke assembly with green Soft-Flo ABS plastic eyewash anti-surge heads with integral flow controls and dust covers, chrome-plated brass stay-open shower and eyewash ball valves equipped with stainless steel ball and stem, and automatic thermal actuator freeze protection bleed valve that will fully open at 35° F (1.7° C), and closes when the water climbs back to 42° F (5.6° C). Unit shall also include powder-coated cast-iron 9" (22.9 CM) diameter floor flange, universal sign, self-adhesive high visibility safety green and bright yellow stripes, and 1-1/4" IPS supply.

## APPLICATIONS

Where the eyes or body of any person may be exposed to injurious or corrosive materials, suitable facilities for quick drenching or flushing of the eyes and body shall be provided within the work area for immediate emergency use. Emergency eyewash facilities and deluge showers shall be in unobstructed and accessible locations that require no more than 10 seconds for the injured person to reach. Model 8300.158 is certified by CSA to meet the ANSI Z358.1 Standard for Emergency Eyewash and Shower Equipment.



THIS DOCUMENT IS TRUE AND CORRECT AT TIME OF PUBLICATION. CONTINUED PRODUCT IMPROVEMENTS MAKE SPECIFICATIONS AND MEASUREMENTS SUBJECT TO CHANGE WITHOUT NOTICE.



NOTES:

1. DIMENSIONS MAY VARY BY ± 1/2 INCH [13mm].
  2. TO COMPLY WITH ANSI Z358.1-2009 FOR EMERGENCY EYEWASH OR EYE/FACE WASH AND SHOWER EQUIPMENT:
    - UNIT SHALL BE INSTALLED IN ACCORDANCE WITH MANUFACTURER'S INSTRUCTIONS AND ACCEPTABLE PLUMBING PRACTICES.
    - EYEWASH OR EYE/FACE WASH SHALL BE POSITIONED WITH NOZZLES NOT LESS THAN 83.8 CM (33 IN.) AND NO GREATER THAN 114.3 CM (45 IN.) FROM SURFACE ON WHICH USER STANDS AND 15.3 CM (6 IN.) MINIMUM FROM WALL OR NEAREST OBSTRUCTION.
    - SHOWER SHALL BE POSITIONED SO THAT SHOWER HEAD IS NOT LESS THAN 208.3 CM (82 IN.) NOR MORE THAN 243.8 CM (96 IN.) FROM SURFACE ON WHICH USER STANDS.
    - SHOWER SPRAY PATTERN SHALL HAVE A MINIMUM DIAMETER OF 50.8 CM (20 IN.) AT 152.4 CM (60 IN.) ABOVE SURFACE ON WHICH USER STANDS, AND CENTER OF SPRAY PATTERN SHALL BE LOCATED AT LEAST 40.6 CM (16 IN.) FROM ANY OBSTRUCTION.
3. DO NOT USE PIPE SEALANT. IF NECESSARY USE DOW CORNING 832 SEALANT PLACING 5 SMALL BEADS ON THE MALE THREADS. JUST ABOVE THE FIRST THREAD.

		<b>Haws®</b>		1455 KLEPPE LANE	
				SPARKS, NEVADA 89431	
		(775) 359-4712 FAX (755) 359-7424		E-MAIL: HAWS@HAWSCO.COM	
		WEBSITE: WWW.HAWSCO.COM		PART NUMBER	
ECN NO:	REVISED PER BY:	MODEL(S)		0002080167.D	
CH	DATE: 07/91	8300.158 SHOWER EYEWASH COMBO		DRAWING NO. REV	
APPROVED: FV	DATE: 01/08/15	SCALE: 1:18	DRAWING TYPE: INSTALLATION	SIZE: A	SHEET 1 OF 1