



INSTALLATION, OPERATION & MAINTENANCE INSTRUCTIONS

1455 Kleppe Lane ♦ Sparks, NV 89431-6467 ♦ (775) 359-4712 ♦ Fax (775) 359-7424
E-mail: haws@hawsco.com ♦ website: www.hawsco.com

No. 2080167(12)

Model 8300.158 Combination Shower Eye/Face Wash

NOTE TO INSTALLER: Please leave this information with the Maintenance Department.

LIMITED WARRANTY

HAWS warrants that this specific product is guaranteed against defective material or poor workmanship for a period of **one year from date of shipment**. HAWS liability under this warranty shall be discharged by furnishing without charge F.O.B. HAWS Factory any goods, or part thereof, which shall appear to the Company upon inspection to be of defective material or not of first class workmanship, provided that claim is made in writing to Haws within a reasonable period after receipt of the product. Where claims for defects are made, the defective part or parts shall be delivered to the Company, prepaid, for inspection. HAWS will not be liable for the cost of repairs, alterations or replacements, or for any expense connected therewith made by the owner or his agents, except upon written authority from HAWS, Sparks, Nevada. HAWS will not be liable for any damages caused by defective materials or poor workmanship, except for replacements, as provided above. Buyer agrees that Haws has made no other warranties either expressed or implied in addition to those above stated, except that of title with respect to any of the products or equipment sold hereunder and that HAWS shall not be liable for general, special, or consequential damages claimed to arise under the contract of sale.

The emergency equipment manufactured by HAWS is warranted to function if installation and maintenance instructions provided are adhered to. The units also must be used for the purpose for which they were intended. This product is intended to supplement first-aid treatment. Due to widely varying conditions, Haws cannot guarantee that the use of this emergency equipment will prevent serious injury or the aggravation of existing or prior injuries.

NO OTHER WARRANTIES EXPRESSED OR IMPLIED ARE AUTHORIZED, PROVIDED OR GIVEN BY HAWS.

SHOULD YOU EXPERIENCE DIFFICULTY WITH THE INSTALLATION OF THIS MODEL PLEASE CALL:

TECHNICAL SUPPORT: 1-800-766-5612

FOR CUSTOMER SERVICE: 1-888-640-4297

LOCATION OF UNIT: The Model 8300.158 Emergency Shower should be installed in close proximity to potential accident areas. It should be clearly identified, free from obstructions and easy to access.

SUPPLY LINE: The minimum recommended line size is 1-1/4" IPS with 30-90 psi (2-6 ATM) flowing pressure. Where sediment or mineral content is a problem, an inlet filter is recommended.

PLUMBING CONNECTIONS: Inlet supply is female 1-1/4" IPS. Waste outlet is female 1-1/4" NPT.

MAINTENANCE: In freezing conditions, wipe eye/face wash head and dust cover dry after each use to prevent unwanted ice build up.

INSTALLATION PROCEDURE

Refer to Installation Drawing for clarification. Check parts list to insure all required parts are included. Use pipe joint sealant PST #565 (Loctite) on all connections.

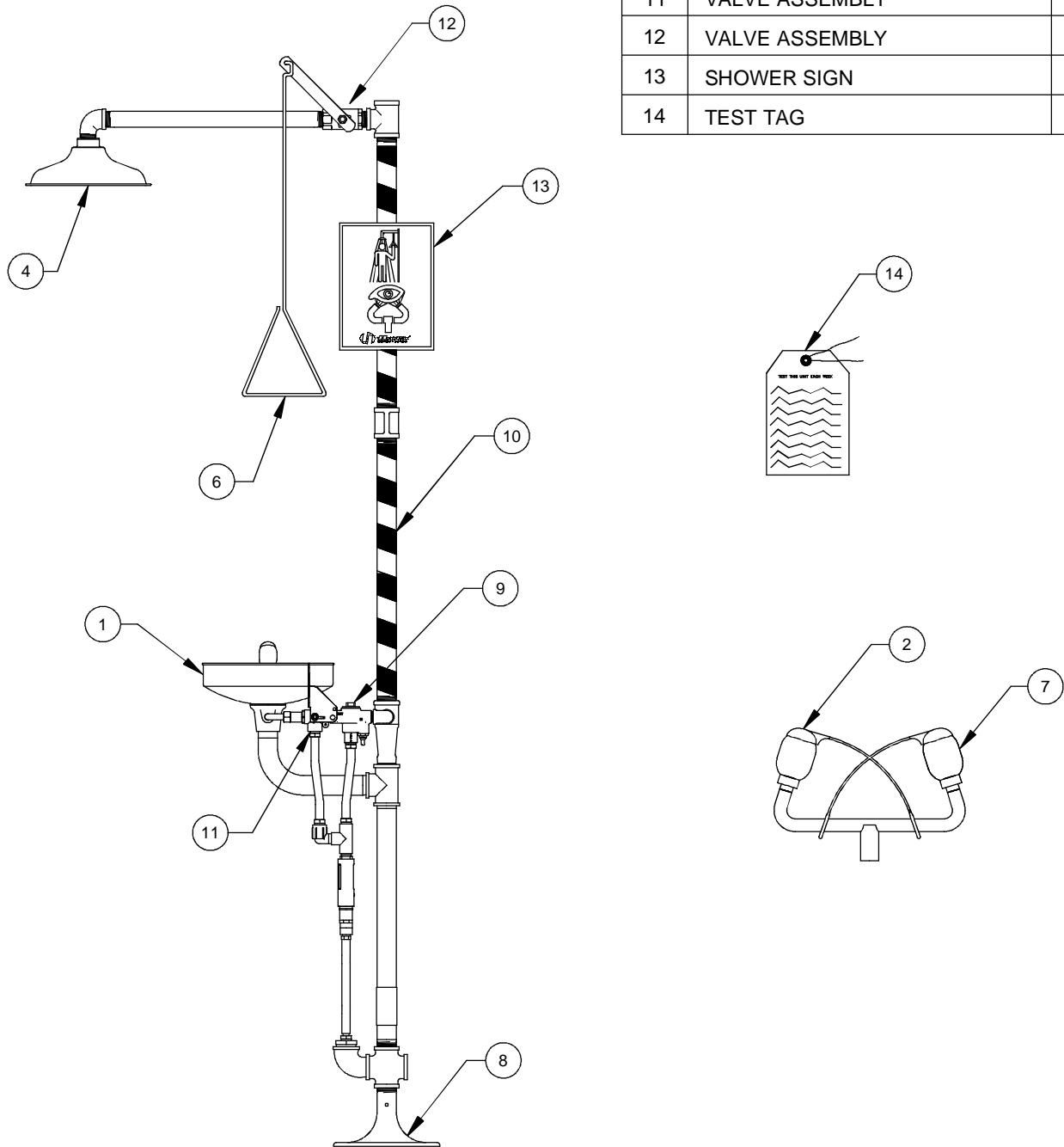
- STEP 1:** Prepare the emergency shower foundation by using the floor flange assembly as a template. Locate the three holes for the 3/8-16 UNC x 6" anchor bolts (not supplied). They should extend 1" above the floor level.
- STEP 2:** Once the concrete foundation is ready (dry), assemble the floor flange assembly to the anchor bolts; then securely fasten with 3/8-16 UNC Hex nuts and 3/8" washers (not supplied). Seal and tighten floor flange and tee making certain the waste tee is facing the proper location and the foot control holes are facing side to side.
- STEP 3:** Assemble nipple (1-1/4" x 21-1/2") to the floor flange assembly and tighten with a pipe wrench.
- STEP 4:** Assemble the eye/face wash loop assembly to the 21-1/2" nipple from step three. Connect the pipe wrench to the galvanized nipple between the two tees to avoid damage.
- STEP 5:** Assemble in the following order:
Attach nipple (1-1/4" x 24") onto the loop assembly (4).
Attach (1-1/4") coupling to nipple.
Attach nipple (1-1/4" x 24) onto the coupling.
Attach tee (1-1/4" x 1-1/4" x 1") with ball valve onto nipple.
Attach nipple (1-1/4" x 19-1/2") onto ball valve.
- STEP 6:** Assemble the (1") elbow onto the horizontal nipple (1" x 19-1/2"), and attach the showerhead onto the elbow.
- STEP 7:** Assemble the sign onto the unit. Use the strap, screws, washers and nuts provided to mount the sign onto the upright. The sign should be positioned for maximum visibility.
- STEP 8:** Before connecting the supply water line to the emergency shower, **FLUSH THE LINE THOROUGHLY.**

TROUBLESHOOTING	
PROBLEM	REPAIR CHECKLIST
1. No flow.	1. Check the main shut-off valve.
2. Insufficient water flow	2. Verify minimum 30 psi (2 ATM) flowing supply line pressure.
3. Insufficient water flow on eye/face wash, however, shower is sufficient.	3. Probable clogging of flow control due to inadequate line flushing. Unscrew eye/face wash head and adapter. Disassemble adapter to gain access and clean rubber flow control.
4. Eye/face wash streams do not meet at desired eye level.	4. Possible blocked flow control, see above solution. Possible non-leveled eye/face wash assembly.
5. Insufficient water flow at the showerhead, however, eye/face wash is sufficient.	5. Probable clogging of flow control inside showerhead. Unscrew showerhead off of elbow and clean rubber flow control.
6. Water does not drain properly	6. Check your drain system for debris. Check the main waste line of your building to see if it does handle the capacity required for the entire drainage system.
7. Water leaks between joints or fittings	7. Tighten loose connections. If leak persists, the application of hot water will sometimes reseal improperly applied joint compound. After 30 minutes wait and retest. A persistent leak will necessitate reassembly and additional sealant.
8. Water flows from bleed valve when in closed position.	8. Remove nut and flag. Rotate stem 180° and reassemble flag and nut.

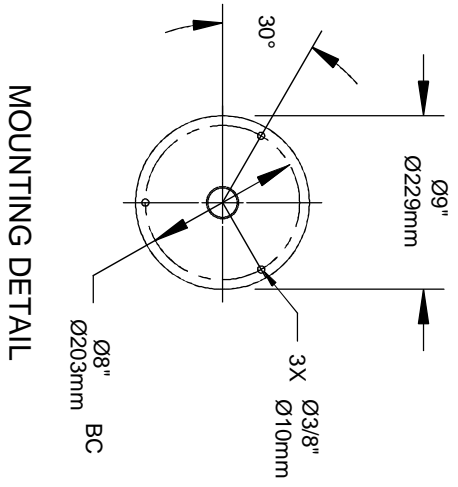
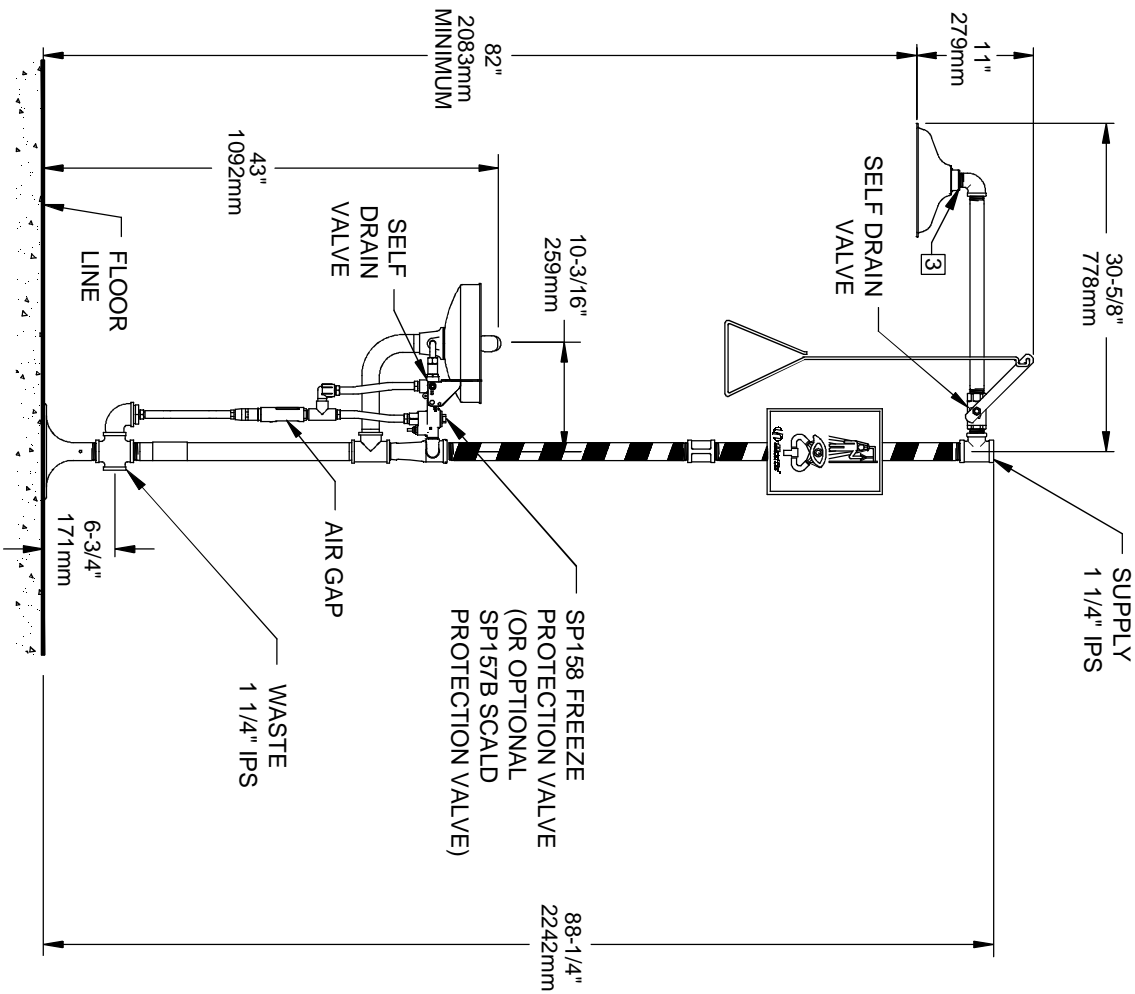
For more information about Haws products, see our website: www.hawesco.com

PARTS BREAKDOWN

ITEM	DESCRIPTION	PART NO.
1	BOWL	SP90
2	EYEWASH DUST COVERS	9095
4	SHOWER HEAD	8129FC
6	PULL ROD	SP200
7	EYEWASH HEADS	SP11FC
8	FLOOR FLANGE	SP75
9	BLEED VALVE	SP158B
10	STRIPE TAPE	SP185
11	VALVE ASSEMBLY	SP229.158
12	VALVE ASSEMBLY	SP260.158
13	SHOWER SIGN	SP178
14	TEST TAG	SP170



 Haws [®]		1455 KLEPPE LANE SPARKS, NEVADA 89431 (775) 359-4712 FAX (755) 359-7424 E-MAIL: HAWS@HAWS.CO.COM WEBSITE: WWW.HAWS.CO.COM	
		ECN NO. REVISED PER BY EON: 4938 VWC	MODEL(S) 8300.158 SHOWER EYEWASH COMBO
DRAWN CLF	DATE 03/17/93	CHECKED DATE 01/08/15	SCALE: 1:8 DRAWING TYPE: PARTS BREAKDOWN SIZE: A SHEET 1 OF 1
WHEN ORDERING PARTS PLEASE SPECIFY MODEL NUMBER.		REV 12	REV 12



- NOTES:
1. DIMENSIONS MAY VARY BY ± 1/2 INCH (13mm).
 2. TO COMPLY WITH ANSI Z358.1-2009 FOR EMERGENCY EYEWASH OR EYEFACE WASH AND SHOWER EQUIPMENT:
 - UNIT SHALL BE INSTALLED IN ACCORDANCE WITH MANUFACTURER'S INSTRUCTIONS AND ACCEPTABLE PLUMBING PRACTICES.
 - EYEWASH OR EYEFACE WASH SHALL BE POSITIONED WITH NOZZLES NOT LESS THAN 33.8 CM (13.3 IN.) AND NO GREATER THAN 114.3 CM (45 IN.) FROM SURFACE ON WHICH USER STANDS AND 15.3 CM (6 IN.) MINIMUM FROM WALL OR NEAREST OBSTRUCTION.
 - SHOWER SHALL BE POSITIONED SO THAT SHOWER HEAD IS NOT LESS THAN 208.3 CM (82 IN.) NOR MORE THAN 243.8 CM (96 IN.) FROM SURFACE ON WHICH USER STANDS.
 - SHOWER SPRAY PATTERN SHALL HAVE A MINIMUM DIAMETER OF 50.8 CM (20 IN.) AT 152.4 CM (60 IN.) ABOVE SURFACE ON WHICH USER STANDS, AND CENTER OF SPRAY PATTERN SHALL BE LOCATED AT LEAST 40.6 CM (16 IN.) FROM ANY OBSTRUCTION.
 3. DO NOT USE PIPE SEALANT. IF NECESSARY USE DOW CORNING 832 SEALANT PLACING 5 SMALL BEADS ON THE MALE THREADS. JUST ABOVE THE FIRST THREAD.

		Haws®	
ECN NO. REVISED PER BY:	ECN: 4838	W/C	MODEL(S)
DRAWN: CH	DATE: 07/91	CHKD:	8300.158 SHOWER EYEWASH COMBO
APPROVED: FV	DATE: 01/08/15	SCALE: 1:18	DRAWING TYPE: INSTALLATION
1455 KLEPPE LANE SPARKS, NEVADA 89431 (775) 359-4712 FAX (759) 359-7424 E-MAIL: HAWS@HAWS.CO.COM WEBSITE: WWW.HAWS.CO.COM		PART NUMBER: 0002080167 D	DRAWING NO. (REV): 09562A00 12