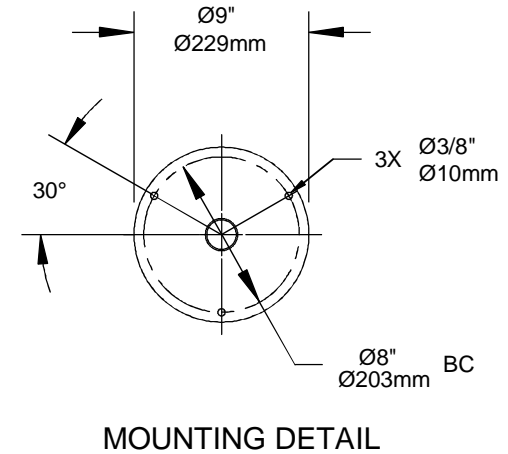
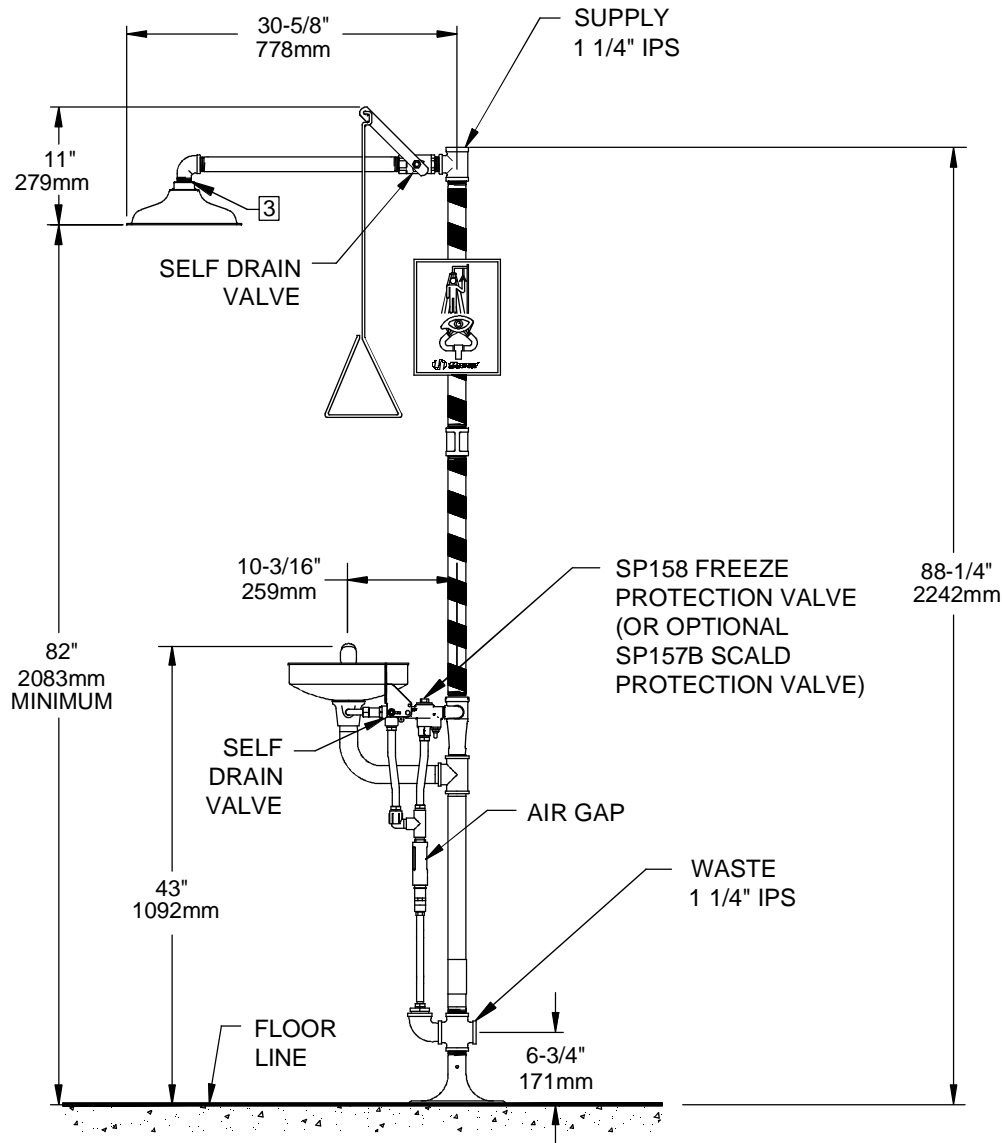


THIS DOCUMENT IS TRUE AND CORRECT AT TIME OF PUBLICATION. CONTINUED PRODUCT IMPROVEMENTS MAKE SPECIFICATIONS AND MEASUREMENTS SUBJECT TO CHANGE WITHOUT NOTICE.



NOTES:

1. DIMENSIONS MAY VARY BY ± 1/2 INCH [13mm].
 2. TO COMPLY WITH ANSI Z358.1-2009 FOR EMERGENCY EYEWASH OR EYE/FACE WASH AND SHOWER EQUIPMENT:
 - UNIT SHALL BE INSTALLED IN ACCORDANCE WITH MANUFACTURER'S INSTRUCTIONS AND ACCEPTABLE PLUMBING PRACTICES.
 - EYEWASH OR EYE/FACE WASH SHALL BE POSITIONED WITH NOZZLES NOT LESS THAN 83.8 CM (33 IN.) AND NO GREATER THAN 114.3 CM (45 IN.) FROM SURFACE ON WHICH USER STANDS AND 15.3 CM (6 IN.) MINIMUM FROM WALL OR NEAREST OBSTRUCTION.
 - SHOWER SHALL BE POSITIONED SO THAT SHOWER HEAD IS NOT LESS THAN 208.3 CM (82 IN.) NOR MORE THAN 243.8 CM (96 IN.) FROM SURFACE ON WHICH USER STANDS.
 - SHOWER SPRAY PATTERN SHALL HAVE A MINIMUM DIAMETER OF 50.8 CM (20 IN.) AT 152.4 CM (60 IN.) ABOVE SURFACE ON WHICH USER STANDS, AND CENTER OF SPRAY PATTERN SHALL BE LOCATED AT LEAST 40.6 CM (16 IN.) FROM ANY OBSTRUCTION.
- 3 DO NOT USE PIPE SEALANT. IF NECESSARY USE DOW CORNING 832 SEALANT PLACING 5 SMALL BEADS ON THE MALE THREADS. JUST ABOVE THE FIRST THREAD.

		Haws [®]		1455 KLEPPE LANE	
				SPARKS, NEVADA 89431	
		(775) 359-4712 FAX (755) 359-7424		E-MAIL: HAWS@HAWSCO.COM	
		WEBSITE: WWW.HAWSCO.COM		PART NUMBER	
ECN NO:	REVISED PER BY:	MODEL(S)		0002080167.D	
ECN: 4938	VWC	8300.158 SHOWER EYEWASH COMBO		DRAWING NO. REV	
DRAWN: CH	DATE: 07/91			09562A00 12	
APPROVED: FV	DATE: 01/08/15	SCALE: 1:18	DRAWING TYPE: INSTALLATION	SIZE: A	SHEET 1 OF 1