

## FEATURES & BENEFITS

### QUALITY CONTROL

Valve assembly is pre-built for reduced installation time and an added peace of mind for the installer.

### VALVES

Chrome-plated brass stay-open ball valve is designed so the full flow of water remains on with the simple tug of the triangular pull rod. Unit also comes equipped with a stainless steel ball and stem to provide added protection against corrosion and breakage.

### UNIVERSAL MOUNTING

Designed for horizontal or vertical installation, this drench shower is mounted sturdily from any wall or ceiling.

### SHOWER HEAD

AXION® MSR stainless steel showerhead uses a hydrodynamic design to give equal distribution of water throughout the entire footprint of flow.

### SAFETY

8" x 10-3/4" (20.3 x 27.3 cm) universal emergency sign make the unit easily detected in an emergency. Test card to record weekly checks helps maintain the unit's best working quality.

### PULL ROD

28" (71.1 cm) stainless steel triangular pull rod provides a reachable height for users while maintaining its durable design.



## SPECIFICATIONS

Model 8123 drench shower for horizontal or vertical installation shall include the AXION® MSR hydrodynamic design stainless steel showerhead with flow control, chrome-plated brass stay-open ball valve equipped with stainless steel ball and stem, stainless steel pull rod with triangular handle, universal sign, and 1" IPS supply.

## OPTIONS

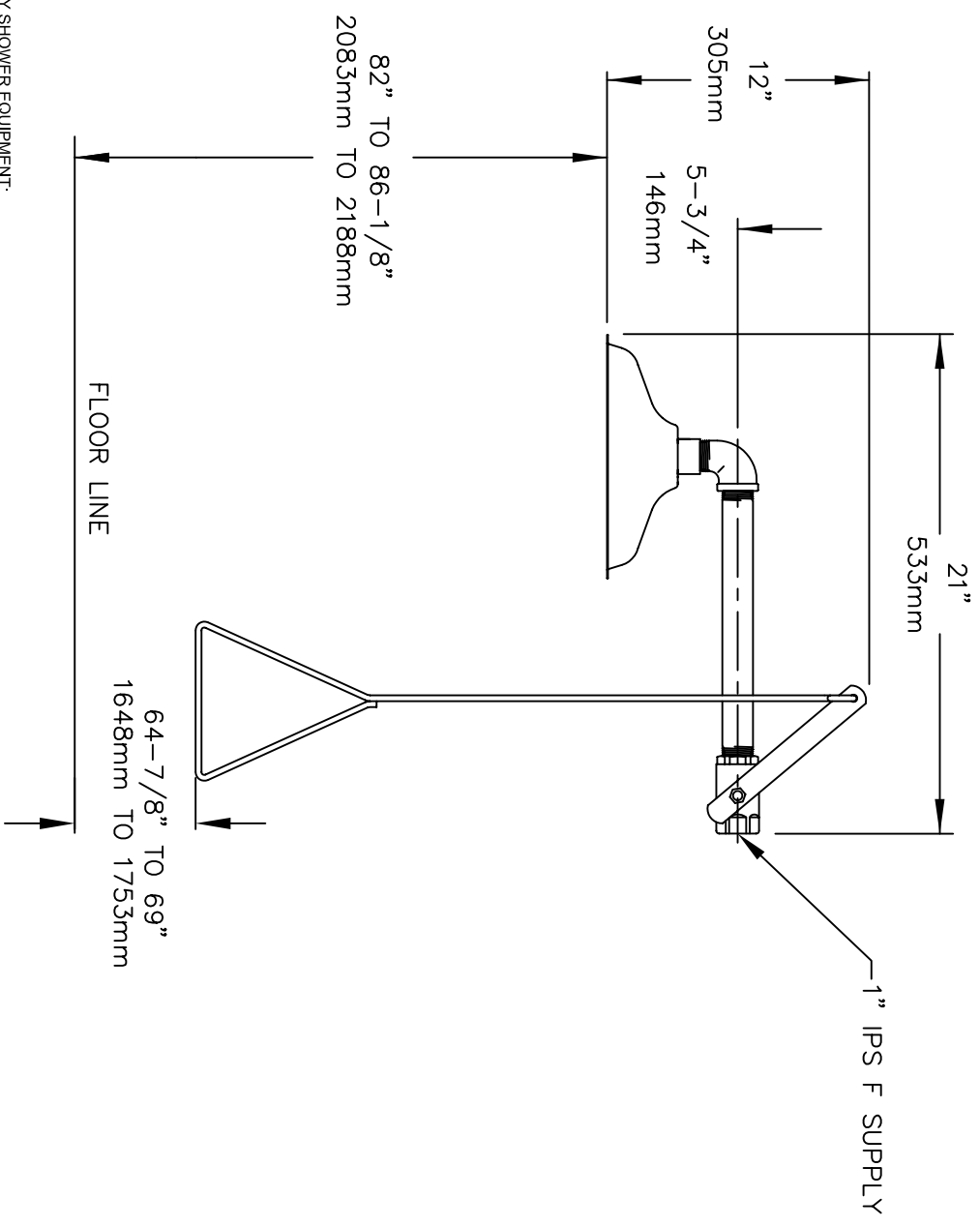
- ❑ Emergency Body Spray Kit: Model 8901RFK, body spray unit with ABS plastic head, stay open squeeze lever valve, 8 foot (243.8 cm) hose, and installation kit.
- ❑ Thermostatic Mixing Valve: Model 9201E AXION® Emergency Tempering Valve thermostatically mixes hot and cold water to provide a safe fluid supply for emergency showers and eyewash equipment, with a flow rate of 31 gpm (117.3 L).
- ❑ Thermostatic Mixing Valve: Model 9201H Lead-free AXION® Emergency Tempering Valve thermostatically mixes hot and cold water to provide a safe fluid supply for emergency showers and eyewash equipment, with a flow rate of 31 gpm (117.3 L).
- ❑ Scald Protection Bleed Valve: Model SP157B, fully engineered scald protection valve.

To see all options for this model, visit [www.hawsco.com](http://www.hawsco.com)

## APPLICATIONS



Where the body of any person may be exposed to injurious or corrosive materials, suitable facilities for quick drenching and cleansing of the body shall be provided within the work area for immediate emergency use. Emergency deluge showers shall be in unobstructed and accessible locations that require no more than 10 seconds for the injured person to reach. Model 8123 is Certified by CSA to meet the ANSI Z358.1 Standard for Emergency Eyewash and Shower Equipment.

# HORIZONTAL SUPPLY (STANDARD)

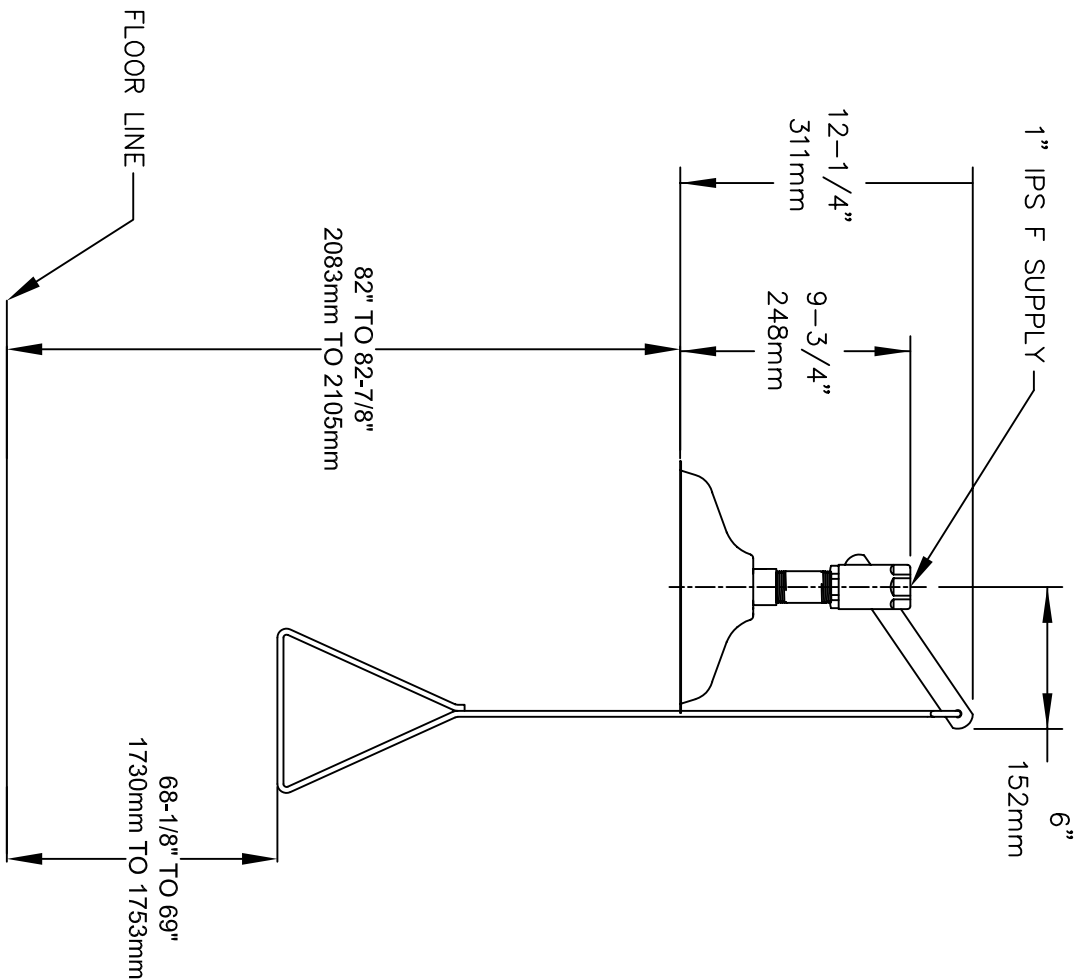
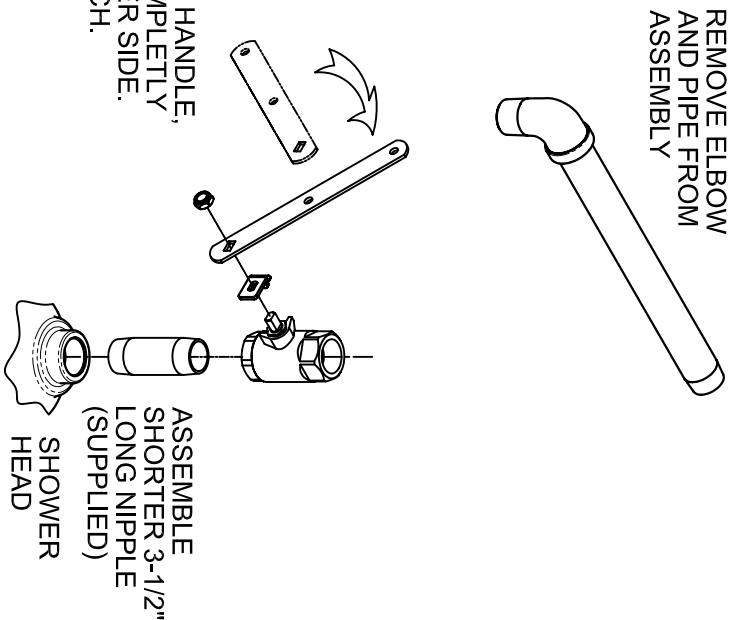


## NOTES:

1. TO COMPLY WITH ANSI Z358.1-2009 FOR EMERGENCY SHOWER EQUIPMENT:
  - UNIT SHALL BE INSTALLED IN ACCORDANCE WITH MANUFACTURER'S INSTRUCTIONS AND ACCEPTABLE PLUMBING PRACTICES.
  - SHOWER SHALL BE POSITIONED SO THAT SHOWER HEAD IS NOT LESS THAN 208.3 CM (82 IN.) NOR MORE THAN 243.8 CM (96 IN.) FROM SURFACE ON WHICH USER STANDS.
  - SHOWER SPRAY PATTERN SHALL HAVE A MINIMUM DIAMETER OF 50.8 CM (20 IN.) AT 152.4 CM (60 IN.) ABOVE SURFACE ON WHICH USER STANDS, AND CENTER OF SPRAY PATTERN SHALL BE LOCATED AT LEAST 40.6 CM (16 IN.) FROM ANY OBSTRUCTION.
2. DIMENSIONS MAY VARY ±1/2" [12.7mm].

				1455 KLEPPE LANE SPARKS, NEVADA 89431 (775) 359-4712 FAX (775) 359-7424 EMAIL: HAWS@HAWS.CO.COM WEBSITE: WWW.HAWSCO.COM	
EQUIPMENT NO.:	REVISED PER BY:	MODEL(S)			
DRAWN:	CHK'D:	8123	EMERGENCY SHOWER		
DATE:	DATE:		SCALE: 1/8" = 1"		
APPROVED:	DATE:		DRAWING TYPE: INSTALLATION		
			SIZE: A	SHEET: 1	OF 2
			PART NUMBER:	0002080120.D	
			DRAWING NO.:	09470A00	REV:
				13	

## FOR VERTICAL SUPPLY (RECONFIGURE AS SHOWN)



### NOTES:

1. TO COMPLY WITH ANSI Z358.1-2009 FOR EMERGENCY SHOWER EQUIPMENT:
  - UNIT SHALL BE INSTALLED IN ACCORDANCE WITH MANUFACTURER'S INSTRUCTIONS AND ACCEPTABLE PLUMBING PRACTICES.
  - SHOWER SHALL BE POSITIONED SO THAT SHOWER HEAD IS NOT LESS THAN 208.3 CM (82 IN.) NOR MORE THAN 243.8 CM (96 IN.) FROM SURFACE ON WHICH USER STANDS.
  - SHOWER SPRAY PATTERN SHALL HAVE A MINIMUM DIAMETER OF 50.8 CM (20 IN.) AT 152.4 CM (60 IN.) ABOVE SURFACE ON WHICH USER STANDS, AND CENTER OF SPRAY PATTERN SHALL BE LOCATED AT LEAST 40.6 CM (16 IN.) FROM ANY OBSTRUCTION.
2. DIMENSIONS MAY VARY ±1/2" [12.7mm].

		EQUIV. NO. / REVISIONS PER BY:		MODEL(S)	
		DRAWING: ECKR 4351 IR		8123	
DATE: 5/13		DATE: 5/13		EMERGENCY SHOWER	
APPROVED: [Signature]		SCALE: 1/8"		DRAWING TYPE: INSTALLATION	
1455 KLEPPLE LANE SPARKS, NEVADA 89431 (775) 359-4712 FAX (775) 359-7424 EMAIL: HAWS@HAWS.CO.COM WEBSITE: WWW.HAWS.CO.COM		PART NUMBER: 0002080120.D		DRAWING NO.: 09470A00_13	
		SIZE: A		SHEET: 2 OF 2	