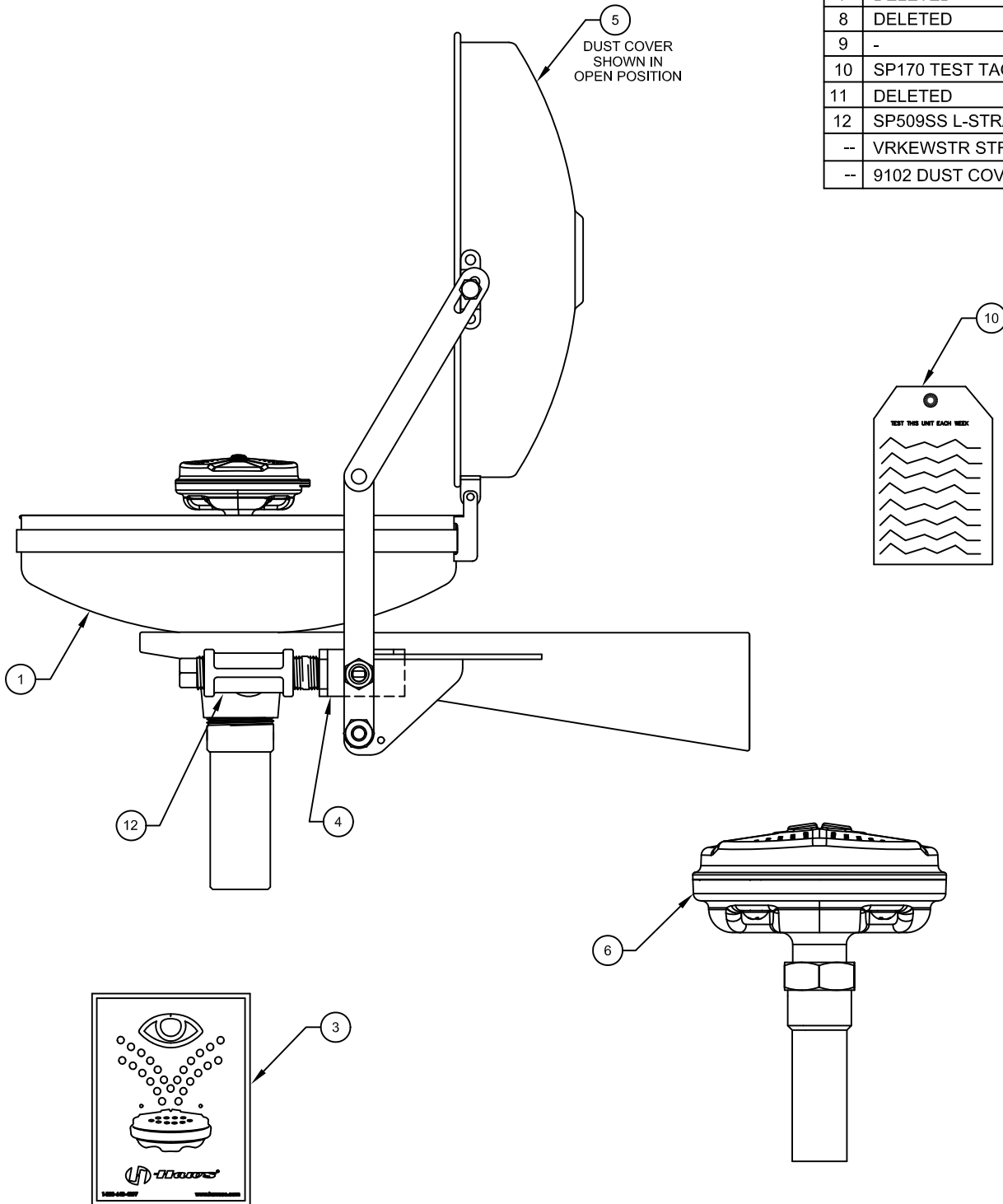



# PARTS BREAKDOWN

ITEM	DESCRIPTION
1	SP90 BOWL
2	-
3	SP175 EYEWASH SIGN
4	SP228 VALVE ASSEMBLY
5	9102 DUST COVER ASSEMBLY
6	SP65SS EYE/FACE WASH
7	DELETED
8	DELETED
9	-
10	SP170 TEST TAG
11	DELETED
12	SP509SS L-STRAINER
--	VRKEWSTR STR. REPAIR KIT
--	9102 DUST COVER



## SP65SS EYE/FACE WASH ASSEMBLY

 <b>Haws</b> <sup>®</sup>		1455 KLEPPE LANE SPARKS, NEVADA 89431 (775) 359-4712 FAX (775) 359-7424 E-MAIL: HAWS@HAWSO.COM WEBSITE: WWW.HAWSO.COM	
		ECN NO: _____ ECN: 4639 REVISED PER: IR	MODEL(S) 7778B
DRAWN: CLF APPROVED: _____	DATE: 03/04/93 DATE: _____	CHKD.: _____ EYE/FACE WASH	DRAWING NO.: 11468C00 REV. 13
SCALE: 1/2		DRAWING TYPE: PARTS BREAKDOWN	SIZE: A SHEET 1 OF 1

**WHEN ORDERING PARTS PLEASE SPECIFY YOUR MODEL NUMBER**