



**INSTALLATION, OPERATION
&
MAINTENANCE INSTRUCTIONS**

1455 Kleppe Lane ♦ Sparks, NV 89431-6467 ♦ (775) 359-4712 ♦ Fax (775) 359-7424
E-mail: haws@hawsco.com ♦ website: www.hawsco.com

No. 2080103(13)

**Model 7778B
Eye/Face Wash Fountain**

NOTE TO INSTALLER: Please leave this information with the Maintenance Department.

LIMITED WARRANTY

HAWS warrants that this specific product is guaranteed against defective material or poor workmanship for a period of **one year from date of shipment**. HAWS liability under this warranty shall be discharged by furnishing without charge F.O.B. HAWS Factory any goods, or part thereof, which shall appear to the Company upon inspection to be of defective material or not of first class workmanship, provided that claim is made in writing to Haws within a reasonable period after receipt of the product. Where claims for defects are made, the defective part or parts shall be delivered to the Company, prepaid, for inspection. HAWS will not be liable for the cost of repairs, alterations or replacements, or for any expense connected therewith made by the owner or his agents, except upon written authority from HAWS, Sparks, Nevada. HAWS will not be liable for any damages caused by defective materials or poor workmanship, except for replacements, as provided above. Buyer agrees that Haws has made no other warranties either expressed or implied in addition to those above stated, except that of title with respect to any of the products or equipment sold hereunder and that HAWS shall not be liable for general, special, or consequential damages claimed to arise under the contract of sale.

The emergency equipment manufactured by HAWS is warranted to function if installation and maintenance instructions provided are adhered to. The units also must be used for the purpose for which they were intended. This product is intended to supplement first-aid treatment. Due to widely varying conditions, Haws cannot guarantee that the use of this emergency equipment will prevent serious injury or the aggravation of existing or prior injuries.

NO OTHER WARRANTIES EXPRESSED OR IMPLIED ARE AUTHORIZED, PROVIDED OR GIVEN BY HAWS.

SHOULD YOU EXPERIENCE DIFFICULTY WITH THE INSTALLATION OF THIS MODEL PLEASE CALL:

TECHNICAL SUPPORT: 1-800-766-5612

FOR CUSTOMER SERVICE: 1-888-640-4297

LOCATION OF UNIT: The Model 7778B Eye/Face Wash should be installed in close proximity to potential accident areas. It should be clearly identified, free from obstructions and easy to access.

SUPPLY LINE: The minimum recommended line size is 1/2" IPS with 30-90 psi (2-6 ATM) flowing pressure. Where sediment or mineral content is a problem, an inlet filter is recommended.

PLUMBING CONNECTIONS: Inlet supply is female 1/2" IPS. Waste outlet is 1-1/4" IPS.

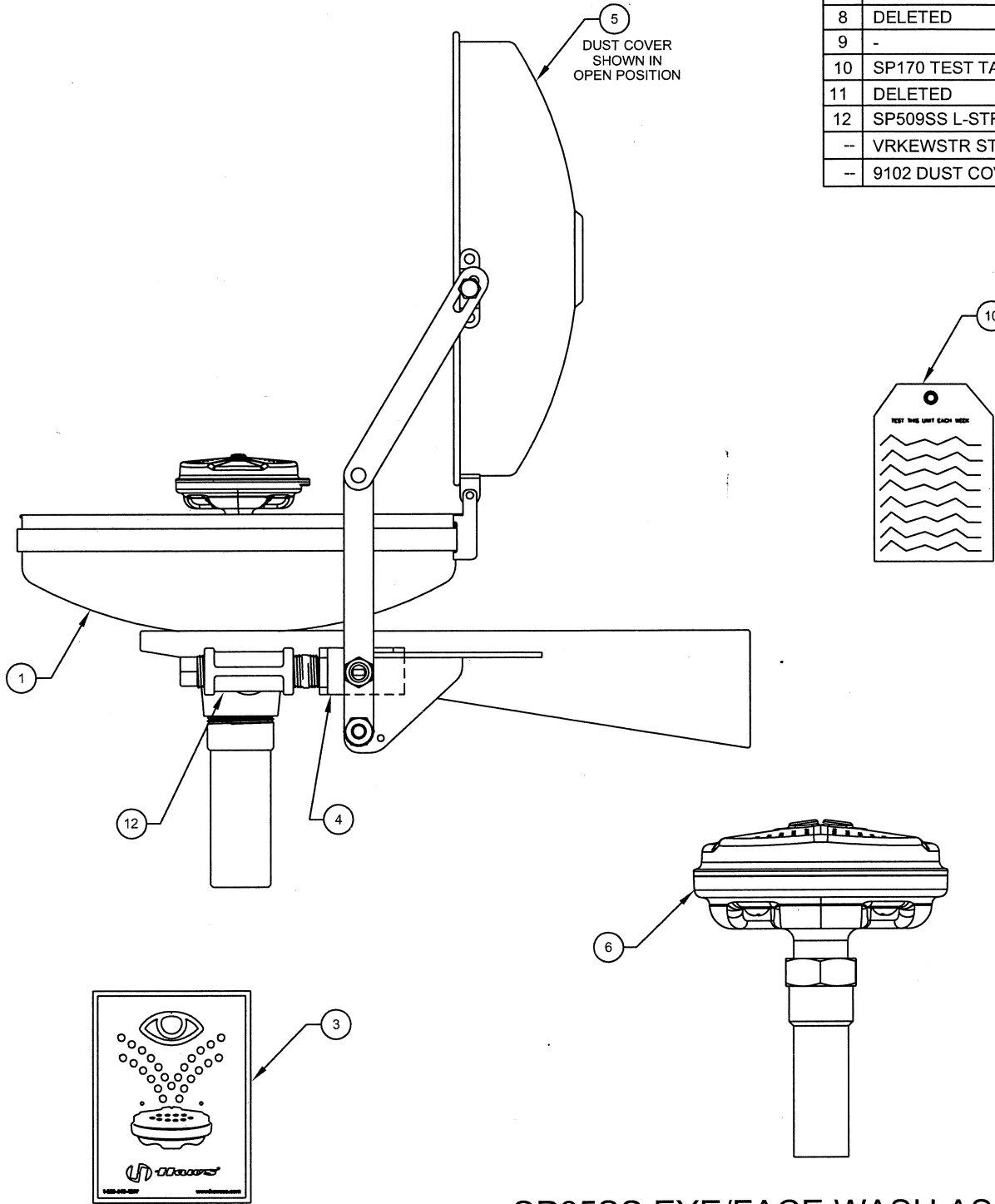
TROUBLESHOOTING

PROBLEM		REPAIR CHECKLIST	
1.	No flow.	1.	Check the main shut-off valve.
2.	Insufficient water flow.	2.	a. Verify minimum 30psi flowing supply line pressure. b. Probable clogging of flow control due to inadequate line flushing. Unscrew eye/face wash head and remove the four screws to disassemble head. Clean flow control and reassemble head.
3.	Eye/face wash streams do not meet desired eye level.	3.	Possible blocked flow control, see above solution. Possible non-leveled eye/face wash assembly.
4.	Water does not drain properly.	4.	Check the main waste line of your building to see if it does handle the capacity required for the entire drainage system.

For more information about Haws products see our website: www.hawsco.com

ITEM	DESCRIPTION
1	SP90 BOWL
2	-
3	SP175 EYEWASH SIGN
4	SP228 VALVE ASSEMBLY
5	9102 DUST COVER ASSEMBLY
6	SP65SS EYE/FACE WASH
7	DELETED
8	DELETED
9	-
10	SP170 TEST TAG
11	DELETED
12	SP509SS L-STRAINER
--	VRKEWSTR STR. REPAIR KIT
--	9102 DUST COVER

PARTS BREAKDOWN



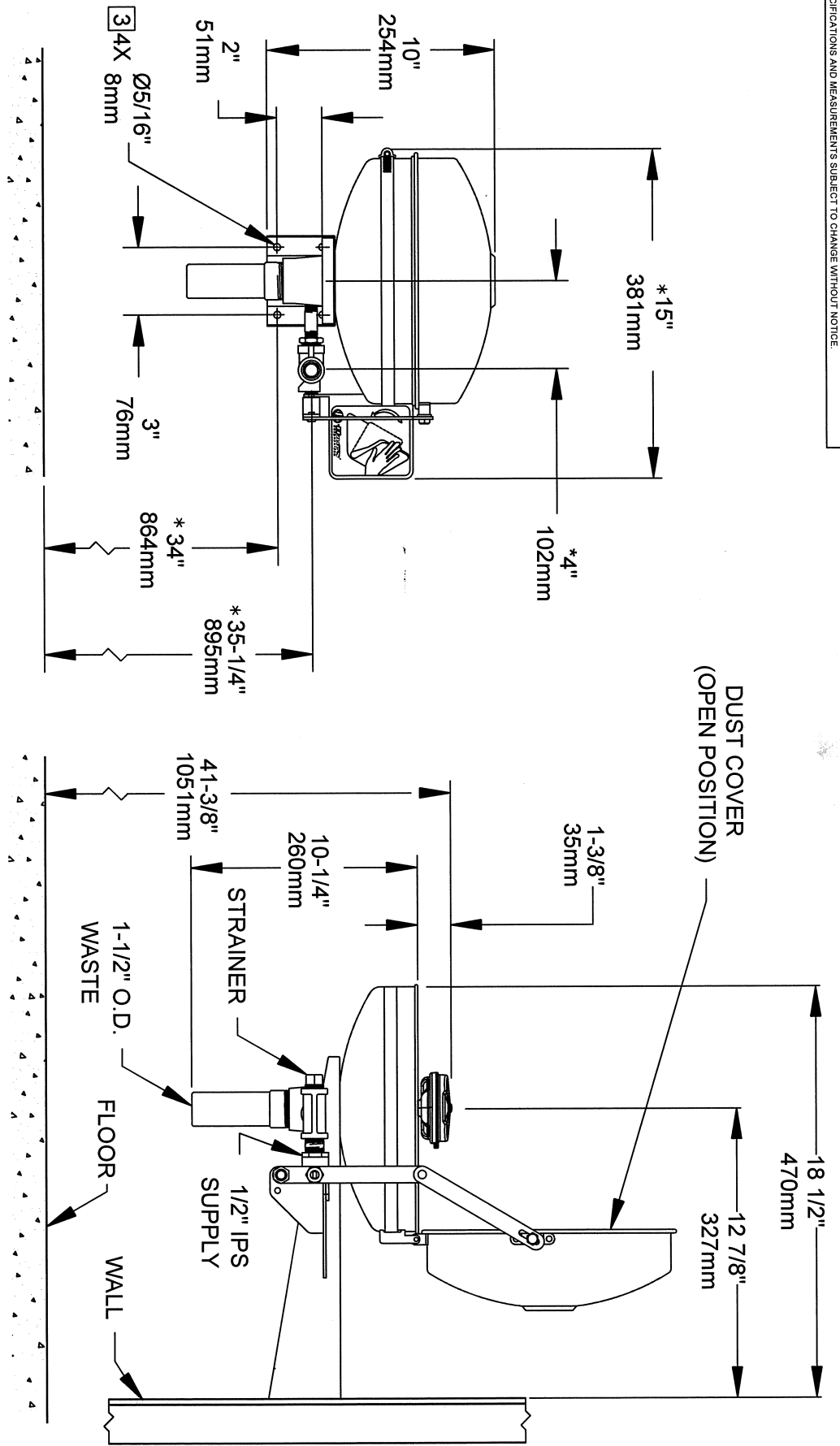
SP65SS EYE/FACE WASH ASSEMBLY



1455 KLEPPE LANE
 SPARKS, NEVADA 89431
 (775) 359-4712 FAX (775) 359-7424
 E-MAIL: HAWS@HAWS.CO.COM
 WEBSITE: WWW.HAWS.CO.COM


ECN NO.	REVISED PER	BY	DATE	CHKD.	DATE	MODEL(S)	PART NUMBER:	
	4639	IR	03/04/03			7778B	0002080103	
DRAWN:	DATE:	CHKD.:	EYE/FACE WASH				DRAWING NO.:	REV.:
CLF	03/04/03						11468C00	13
APPROVED:	DATE:	SCALE: 1/2		DRAWING TYPE: PARTS BREAKDOWN		SIZE: A	SHEET 1 OF 1	

WHEN ORDERING PARTS PLEASE SPECIFY YOUR MODEL NUMBER



NOTES:

1. TO COMPLY WITH ANSI Z358.1-2009 FOR EMERGENCY EYEWASH OR EYEFACE WASH AND SHOWER EQUIPMENT:
 - UNIT SHALL BE INSTALLED IN ACCORDANCE WITH MANUFACTURER'S INSTRUCTIONS AND ACCEPTABLE PLUMBING PRACTICES.
 - EYEWASH OR EYEFACE WASH SHALL BE POSITIONED WITH NOZZLES NOT LESS THAN 83.8 CM (33 IN.) AND NO GREATER THAN 114.3 CM (45 IN.) FROM SURFACE ON WHICH USER STANDS AND 15.3 CM (6 IN.) MINIMUM FROM WALL OR NEAREST OBSTRUCTION.
2. DIMENSIONS MAY VARY ±1/2" [12.7mm].
3. MOUNTING HARDWARE SUPPLIED BY OTHERS.

		1455 KLEPPE LANE	
		SPARKS, NEVADA 89431	
EQUIPMENT NO. REVISED PER BY: MODEL(S)		(775) 358-4772 FAX (775) 358-7424	
DRAWN: ECN: 4639 JB		E-MAIL: HAWS@HAWSCO.COM	
DATE: 07/20/11		WEBSITE: WWW.HAWSCO.COM	
CAL: 8991		PART NUMBER: 0002080103.D	
APPROVED: DATE: 07/20/11		DRAWING NO.: REV 09406A00 13	
SCALE: 1/1"		DRAWING TYPE: INSTALLATION	
SHEET: A		SHEET: 1 OF 1	