

NOTES:

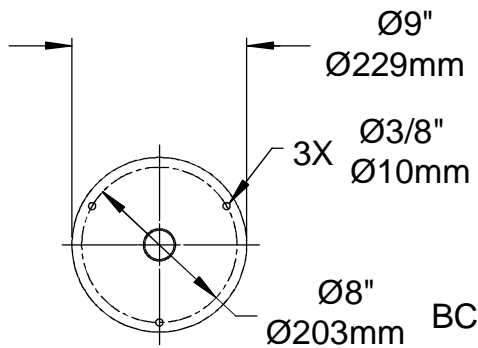
1. TO COMPLY WITH ANSI Z358.1-2009 FOR EMERGENCY EYEWASH OR EYE/FACE WASH AND SHOWER EQUIPMENT:

- UNIT SHALL BE INSTALLED IN ACCORDANCE WITH MANUFACTURER'S INSTRUCTIONS AND ACCEPTABLE PLUMBING PRACTICES.

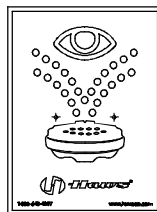
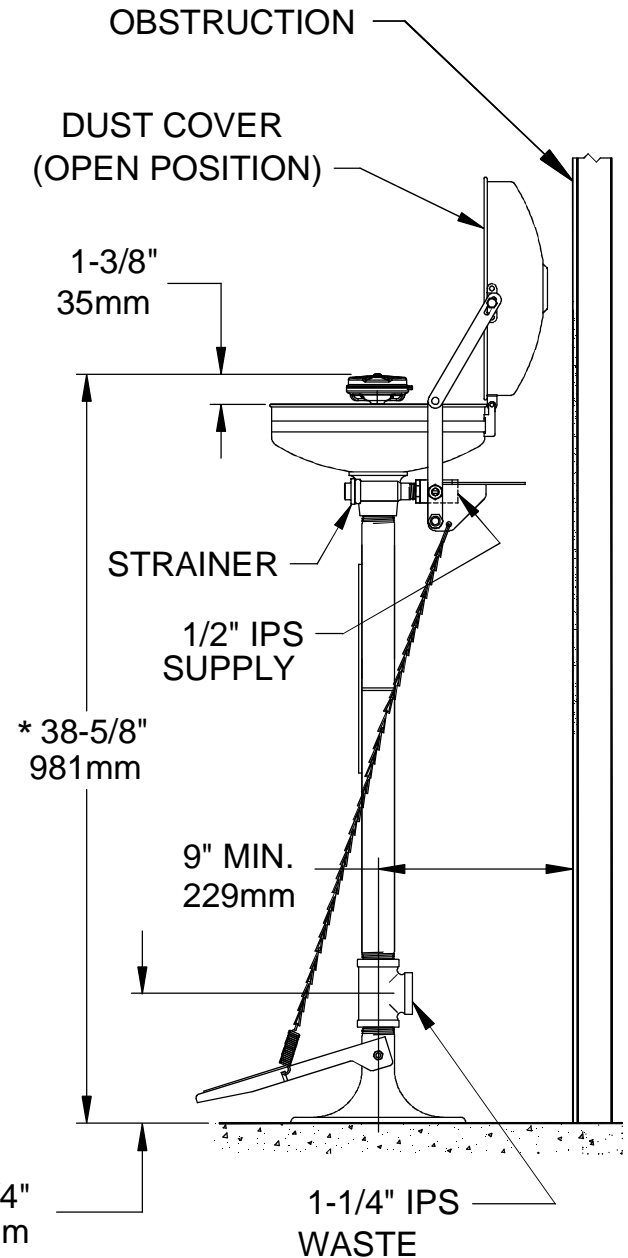
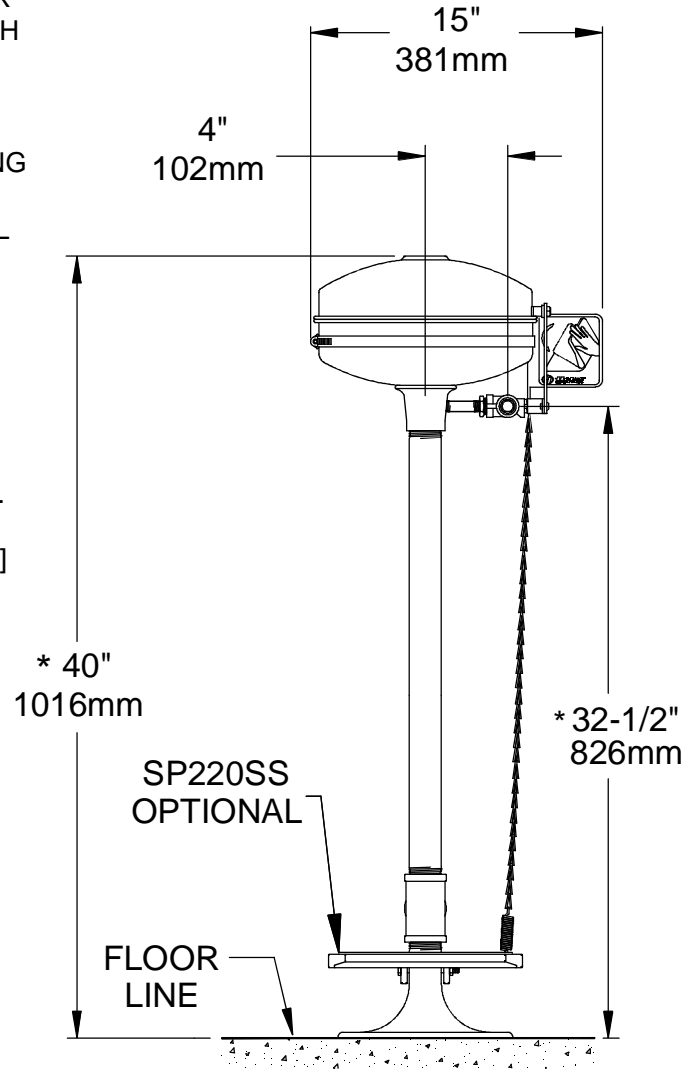
- EYEWASH OR EYE/FACE WASH SHALL BE POSITIONED WITH NOZZLES NOT LESS THAN 83.8 CM (33 IN.) AND NO GREATER THAN 114.3 CM (45 IN.) FROM SURFACE ON WHICH USER STANDS AND 15.3 CM (6 IN.) MINIMUM FROM WALL OR NEAREST OBSTRUCTION.

2. *DIMENSIONS MAY VARY ±1/2" [12.7mm].

3. CENTERLINE WASTE PLACED 9"[229mm] MIN. FROM OBSTRUCTION.



MOUNTING DETAIL



SIGN IS TO BE POSITIONED SUCH THAT IT IS VISIBLE WITHIN THE AREA SERVED BY THE EYEWASH

		1455 KLEPPE LANE SPARKS, NEVADA 89431 (775) 359-4712 FAX (775) 359-7424 E-MAIL: HAWS@HAWSCO.COM WEBSITE: WWW.HAWSCO.COM	
ECN NO.	REVISED PER BY:	MODEL(S)	PART NUMBER:
CJL	DATE: 05/91	7777	0002080102.D
APPROVED:	DATE:	SS PED MTD EYE/FACE WASH	DRAWING NO.: 09405A00
		SCALE: 1/10	REV: 14
		DRAWING TYPE: INSTALLATION	SIZE: A SHEET 1 OF 1