



Haws®

model 7656WCC

AXION® MSR Barrier-Free Recessed Eye/Face Wash

FEATURES & BENEFITS

CONSTRUCTION

18 Gauge Type 304 Stainless Steel recessed cabinet is a deep-drawn heavy duty structure with smudge resistant bead blast finish to provide a durable, long lasting product.

QUALITY CONTROL

The entire unit is pre-built and fully water/pressure tested to ensure no leaks and proper function which ultimately reduces installation time and gives the end contractor an added peace of mind.

VALVE

Valve is designed to make the flushing of fluid occur with the pull of a lever.

EYE/FACE WASH

AXION® MSR eye/face wash head (patent pending) uses an inverted directional laminar flow to sweep contaminants away from the vulnerable nasal cavity.

ACCESSIBILITY

Stainless steel drain pan collects eye/face wash waste within the cabinet so the cleansing area remains as clean as possible throughout the irrigation process. Barrier-free pull-down design accommodates all users including wheelchair accessibility.



OPTIONS

- ❑ Test Tag: SP170 is a green waterproof test card with space for date and initials of inspector. Used to record weekly testing of emergency equipment.
- ❑ Emergency Alarm System : Model 9001.5, 1/2" 120 VAC emergency alarm and light system. Buzzer and flashing light are activated by a 1/2" IPS double pole, double throw flow switch.
- ❑ Thermostatic Mixing Valve: Model 9201EFE AXION® Emergency Tempering Valve thermostatically mixes hot and cold water to provide a safe fluid supply for a single emergency eye/face wash, with a flow rate of 12 gpm (38.8 L).
- ❑ Thermostatic Mixing Valve: Model 9201EW AXION® Emergency Tempering Valve thermostatically mixes hot and cold water to provide a safe fluid supply for a single emergency eye/face wash, with a flow rate of 10 gpm (38.8 L).

To see all options for this model, visit www.hawasco.com

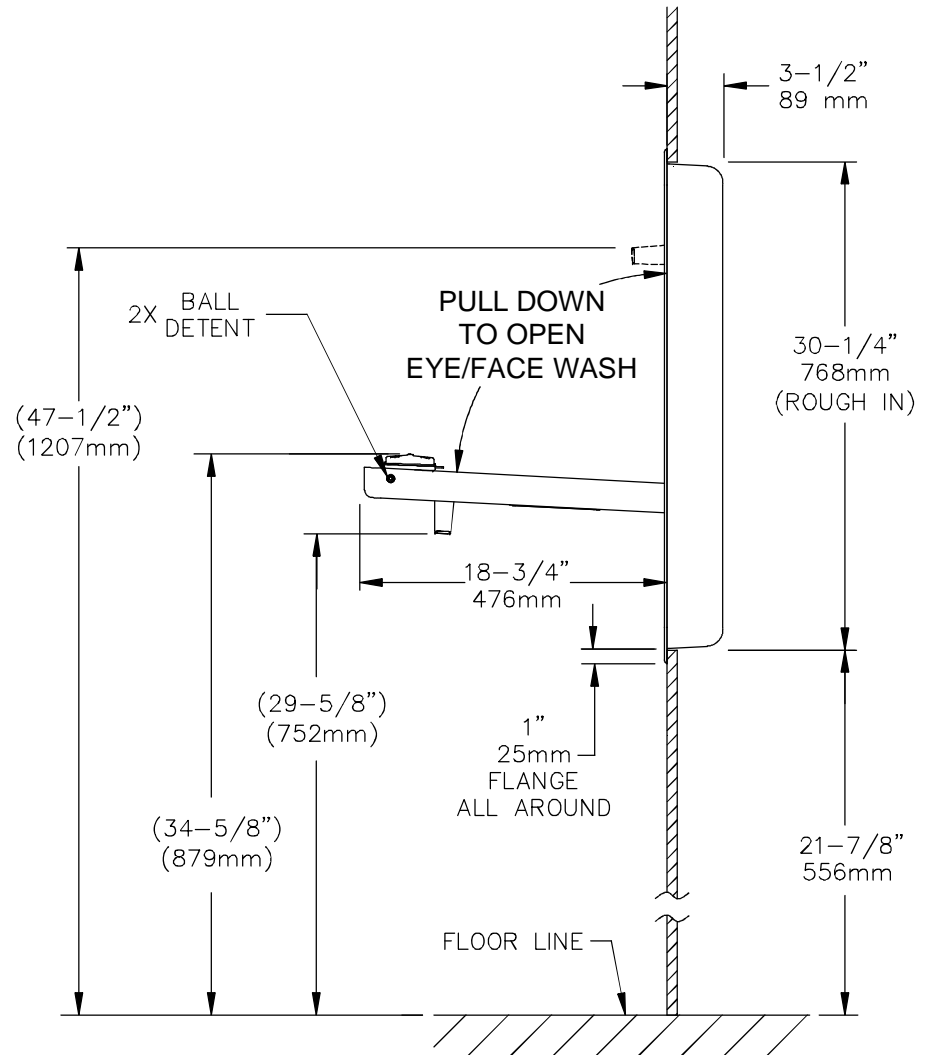
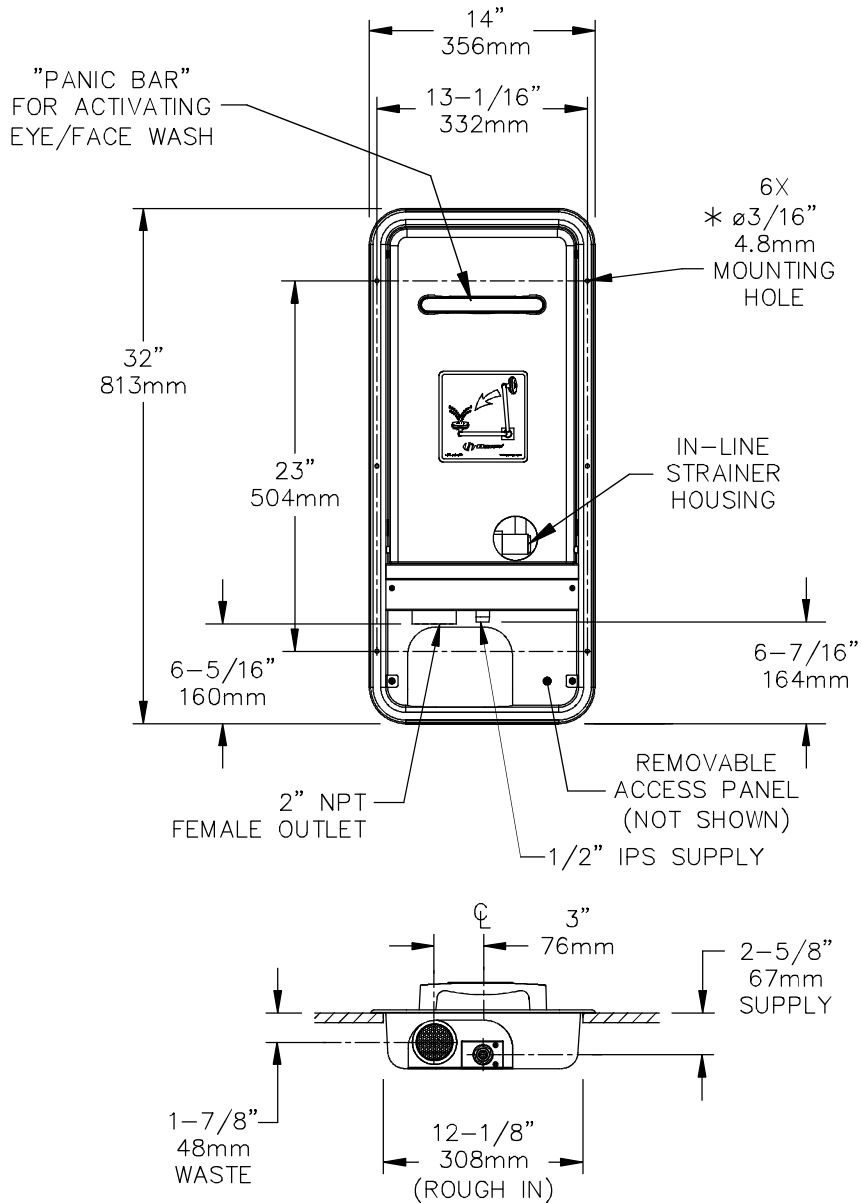
SPECIFICATIONS

Model 7656WCC barrier-free eye/face wash shall include an AXION® MSR eye/face wash head shall feature inverted directional laminar flow which achieves zero vertical velocity supplied by an integral flow control, a fully recessed wall mounted 18 Gauge, Type 304 stainless steel deep-drawn cabinet, wheelchair accessibility, and polished chrome-plated brass pull-down valve with easy access in-line strainer. Unit shall also include brass pipe and fittings, a drain pan, a front-access maintenance panel, universal sign, 1/2" NPT(M) inlet and 2" NPT(F) drain. Operating pressure is 30 - 90 psi (2.1 - 6.2 bar).

APPLICATIONS

Where the eyes and face of any person may be exposed to injurious or corrosive materials, suitable facilities for quick flushing of the eyes and face shall be provided within the work area for immediate emergency use. This unit brings a nice finish to any location, all while offering a wide coverage area for the face and eyes. Emergency eye/face wash facilities shall be in unobstructed and accessible locations that require no more than 10 seconds for the injured person to reach. Model 7656WCC is certified by CSA to meet the ANSI Z358.1 Standard for Emergency Eyewash and Shower Equipment.





NOTES:

1. WHEN INSTALLING THIS UNIT, LOCAL, STATE OR FEDERAL CODES SHOULD BE ADHERED TO. WASTE CONNECTION MUST ADHERE TO LOCAL HEALTH AND PLUMBING CODES.
2. FLOW RATE FOR EYE/FACE WASH IS 3.7 GPM AND EXCEEDS ANSI STANDARD Z358.1.
3. DIMENSIONS MAY VARY BY $\pm 1/2"$ [12.7mm].
- *4. MOUNTING HARDWARE NOT SUPPLIED.



Haws

1455 KLEPPE LANE
 SPARKS, NEVADA 89431
 (775) 359-4712 FAX (775) 359-7424
 E-MAIL: HAWS@HAWS.CO.COM
 WEBSITE: WWW.HAWS.CO.COM

ECN NO. 4290	REVISED PER ECN: 4842	BY: PF	MODEL(S) 7656WCC	PART NUMBER: 0002080080.D
DRAWN: IR	DATE: 8/4/10	CHKD.:		DRAWING NO.: 16037A00
APPROVED:	DATE:	SCALE: 1/12	DRAWING TYPE: INSTALLATION	REV: 3
			SIZE: A	SHEET 1 OF 1