



model 7655WCC

AXION® MSR Barrier-Free Recessed Eye/Face Wash

FEATURES & BENEFITS

CONSTRUCTION

18 Gauge Type 304 Stainless Steel recessed cabinet is a deep-drawn heavy duty structure with smudge resistant bead blast finish to provide a durable, long lasting product.

QUALITY CONTROL

The entire unit is pre-built and fully water/pressure tested to ensure no leaks and proper function which ultimately reduces installation time and gives the end contractor an added peace of mind.

ADDED PROTECTION

Barrier-free pull-down design accommodates all users including wheelchair accessibility.

VALVE

Valve is designed to make the flushing of fluid occur with the pull of the eyewash bend.

FLUSH MOUNT

Space efficient wall flush-mount design with pull down lever allow for a barrier-free design. Stainless steel drain pan collects eye/face wash waste within the cabinet so the cleansing area remains as clean as possible throughout the irrigation process.

EYE/FACE WASH

AXION® MSR eye/face wash head (patent pending) uses an inverted directional laminar flow to sweep contaminants away from the vulnerable nasal cavity.



SPECIFICATIONS

Model 7655WCC barrier-free eye/face wash shall include an AXION® MSR eye/face wash head shall feature inverted directional laminar flow which achieves zero vertical velocity supplied by an integral flow control, a fully recessed wall mounted 18 Gauge, Type 304 stainless steel deep-drawn cabinet, wheelchair accessibility, and polished chrome-plated brass pull-down valve with easy access in-line strainer. Unit shall also include brass pipe and fittings, a front-access maintenance panel, universal sign, 1/2" NPT(M) inlet. Operating pressure is 30 - 90 psi (2.1 - 6.2 bar).

OPTIONS

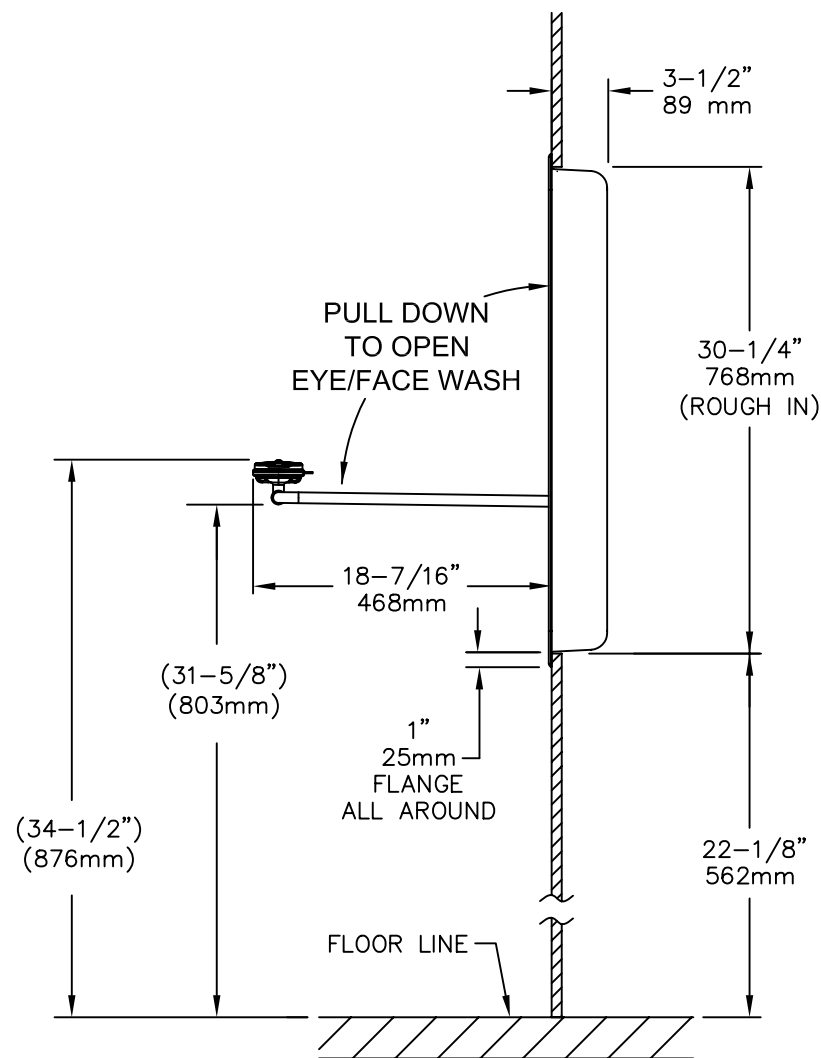
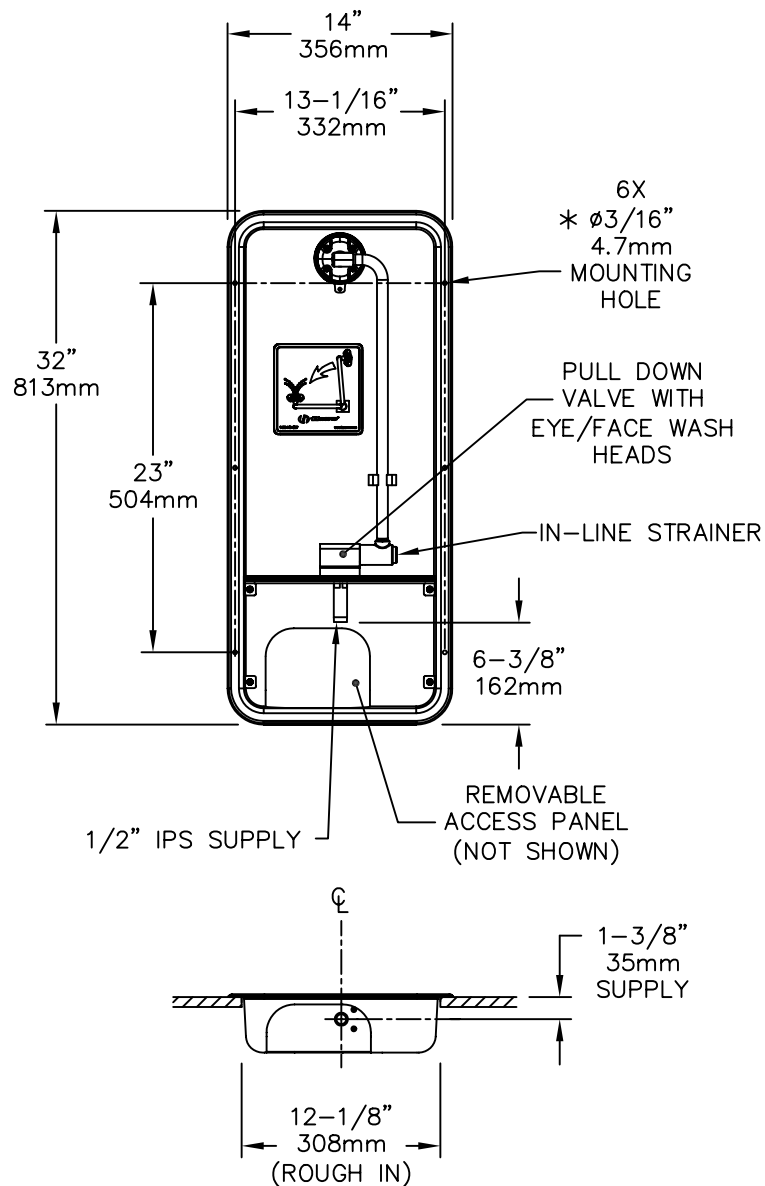
- Test Tag: SP170 is a green waterproof test card with space for date and initials of inspector. Used to record weekly testing of emergency equipment.
- Emergency Alarm System : Model 9001.5, 1/2" 120 VAC emergency alarm and light system. Buzzer and flashing light are activated by a 1/2" IPS double pole, double throw flow switch.
- Thermostatic Mixing Valve: Model 9201EFE AXION® Emergency Tempering Valve thermostatically mixes hot and cold water to provide a safe fluid supply for a single emergency eye/face wash, with a flow rate of 12 gpm (38.8 L).
- Thermostatic Mixing Valve: Model 9201EW AXION® Emergency Tempering Valve thermostatically mixes hot and cold water to provide a safe fluid supply for a single emergency eye/face wash, with a flow rate of 10 gpm (38.8 L).

To see all options for this model, visit www.hawasco.com

APPLICATIONS


Where the eyes and face of any person may be exposed to injurious or corrosive materials, suitable facilities for quick flushing of the eyes and face shall be provided within the work area for immediate emergency use. This unit brings a nice finish to any location, all while offering a wide coverage area for the face and eyes. Emergency eye/face wash facilities shall be in unobstructed and accessible locations that require no more than 10 seconds for the injured person to reach. Model 7655WCC is Certified by CSA to meet the ANSI Z358.1 Standard for Emergency Eyewash and Shower Equipment.





NOTES:

1. WHEN INSTALLING THIS UNIT, LOCAL, STATE OR FEDERAL CODES SHOULD BE ADHERED TO. WASTE CONNECTION MUST ADHERE TO LOCAL HEALTH AND PLUMBING CODES.
2. FLOW RATE FOR EYE/FACE WASH IS 3.7 GPM AND EXCEEDS ANSI STANDARD Z358.1.
3. DIMENSIONS MAY VARY BY $\pm 1/2"$ [12.7mm].
- *4. MOUNTING HARDWARE NOT SUPPLIED.

		1455 KLEPPE LANE SPARKS, NEVADA 89431 (775) 359-4712 FAX (775) 359-7424 E-MAIL: HAWS@HAWS.CO.COM WEBSITE: WWW.HAWS.CO.COM	
		ECN NO. 4290 DRAWN: IR APPROVED:	REVISED PER: BY: IR ECN: 4572 DATE: 8/4/10 DATE:
SCALE: 1:12		DRAWING TYPE: INSTALLATION	

DWG. NO. 16035A00