

## FEATURES & BENEFITS

### VALVE

Units pull-down to activate design produces a full continuous flow of water and provides an easy start to the irrigation process.

### SAFETY

8" x 10-3/4" (20.3 x 27.3 cm) universal emergency sign make the unit easily detected in an emergency. Test card to record weekly checks helps maintain the unit's best working quality.

### MOUNTING

Unit mounts at the back of sink, or on a wall so when the unit is not in use, it is as far out of the way as possible.

### EYE/FACE WASH

AXION® MSR eye/face wash head (patent pending) uses an inverted directional laminar flow to sweep contaminants away from the vulnerable nasal cavity.



## OPTIONS

- ❑ Test Tag: SP170 is a green waterproof test card with space for date and initials of inspector. Used to record weekly testing of emergency equipment.
- ❑ Emergency Alarm System : Model 9001.5, 1/2" 120 VAC emergency alarm and light system. Buzzer and flashing light are activated by a 1/2" IPS double pole, double throw flow switch.
- ❑ Thermostatic Mixing Valve: Model 9201EFE AXION® Emergency Tempering Valve thermostatically mixes hot and cold water to provide a safe fluid supply for a single emergency eye/face wash, with a flow rate of 12 gpm (38.8 L).
- ❑ Thermostatic Mixing Valve: Model 9201EW AXION® Emergency Tempering Valve thermostatically mixes hot and cold water to provide a safe fluid supply for a single emergency eye/face wash, with a flow rate of 10 gpm (38.8 L).

To see all options for this model, visit [www.hawscos.com](http://www.hawscos.com)

## SPECIFICATIONS

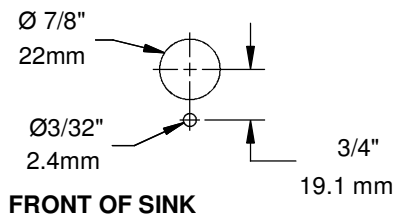
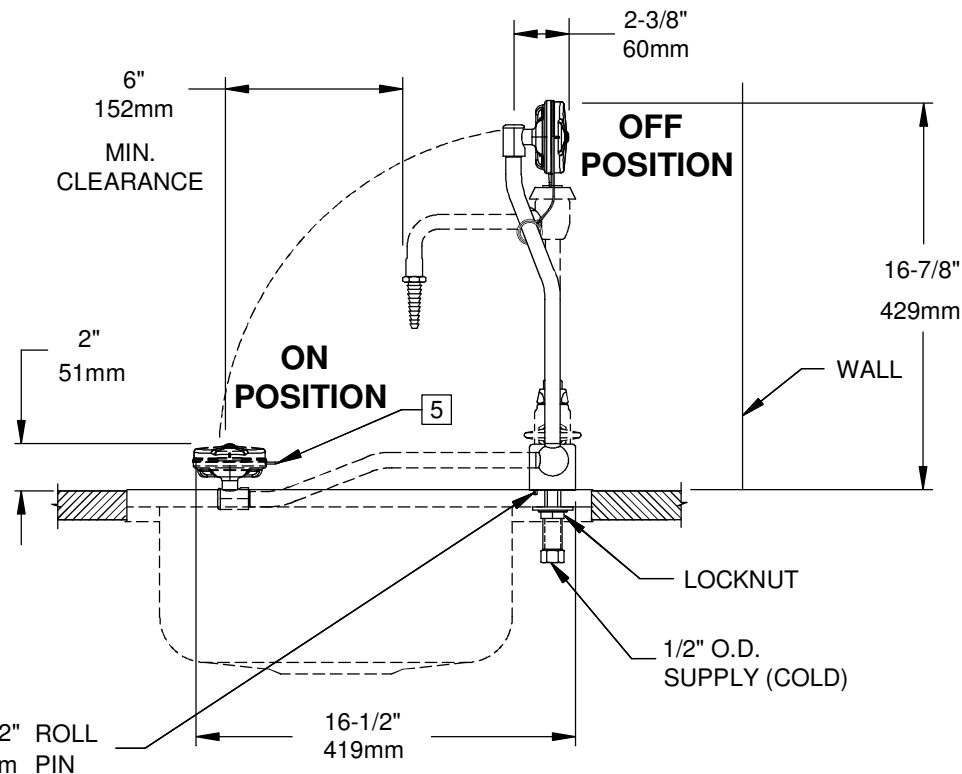
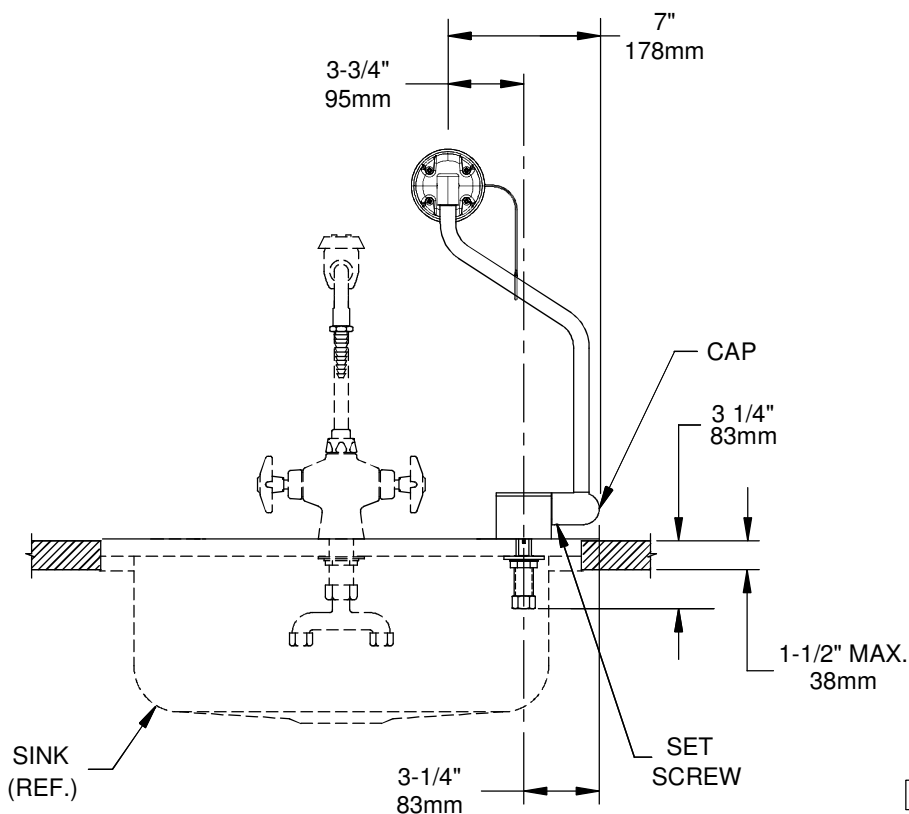
Model 7610 barrier-free sink/counter top or wall mount eye/face wash shall include an AXION® MSR eye/face wash head with inverted directional laminar flow which achieves zero vertical velocity supplied by an integral flow control. Also included; polished chrome brass single action pull-down valve body, wheelchair accessibility, universal sign, and 1/2" O.D. (1.3 cm) slip joint inlet.

## APPLICATIONS

Where safety is of the utmost importance and the eyes of any person may be exposed to injurious or corrosive materials, suitable facilities for quick flushing and cleansing of the eyes must be provided within the work area for immediate emergency use. When installed properly, the stable construction, counter top design of the 7610 is space efficient with its rear mounting location, and can accommodate barrier-free access. Model is certified by CSA to meet the ANSI Z358.1 Standard for Emergency Eyewash and Shower Equipment.

# 7610 DECK MOUNTED CONFIGURATION


(SEE SHEET 2 FOR 7610 WALL MOUNTED CONFIGURATION)



## NOTES:

1. WHEN INSTALLING THIS UNIT, LOCAL, STATE, OR FEDERAL CODES SHOULD BE ADHERED TO FOR INSTALLATION DIMENSIONS (LOCATIONS), WASTE AND SUPPLY REQUIREMENTS OTHER THAN SHOWN.
2. THE ANSI Z358.1-2009 STANDARD SPECIFIES EYEWASH NOZZLE HEIGHTS TO BE 83.8cm (33 IN.) TO 114.3cm (45 IN.) ABOVE THE FLOOR AND 15.3cm (6 IN.) MINIMUM FROM WALL OR NEAREST OBSTRUCTION.
3. DRILL ONE  $\varnothing 7/8"$  [22mm] HOLE AND ONE  $\varnothing 3/32"$  HOLE WHERE UNIT IS TO BE INSTALLED. REFER TO MOUNTING HOLE DETAIL.
4. THESE DIMENSIONS MAY VARY  $\pm 1/2"$  [6.4mm].
5. ASSEMBLE EYE/FACE WASH TO ARM, ORIENT TAB ON ASSEMBLY AWAY FROM USER.

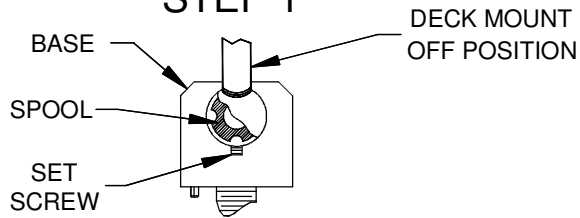
## 3 MOUNTING HOLE DETAIL

		1455 KLEPPE LANE SPARKS, NEVADA 89431 (775) 359-4712 FAX (755) 359-7424 E-MAIL: HAWS@HAWSCO.COM WEBSITE: WWW.HAWSCO.COM	
ECN NO. 2066	REVISED PER ECN: 4832	BY: PF	MODEL(S) 7610
DRAWN: JF	DATE: 10/96	CHK'D:	PULL DOWN EYE/FACE WASH
APPROVED:	DATE:	SCALE: 1:8	DRAWING TYPE: INSTALLATION
			PART NUMBER 0002080067.D
			DRAWING NO. 12691A00
			REV 13
			SIZE: A SHEET 1 OF 2

## 7610 WALL MOUNTED CONFIGURATION (SEE SHEET 1 FOR 7610 DECK MOUNTED CONFIGURATION)

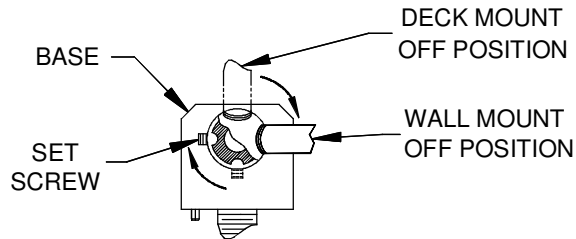
### CONVERT TO WALL MOUNT CONFIGURATION

#### STEP 1



UNIT IS SHIPPED IN DECK MOUNT CONFIGURATION. TO CONVERT TO WALL MOUNT CONFIGURATION, POSITION ARM IN "DECK MOUNT OFF POSITION" AS ABOVE.

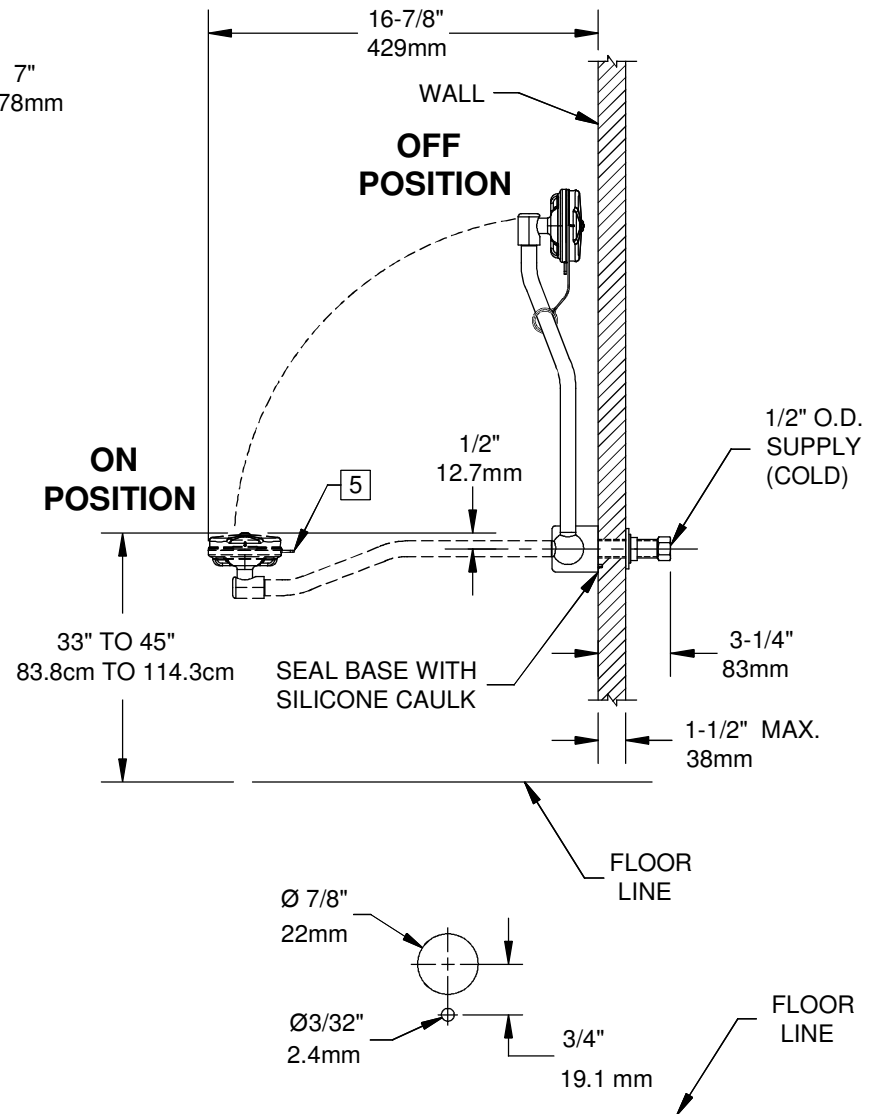
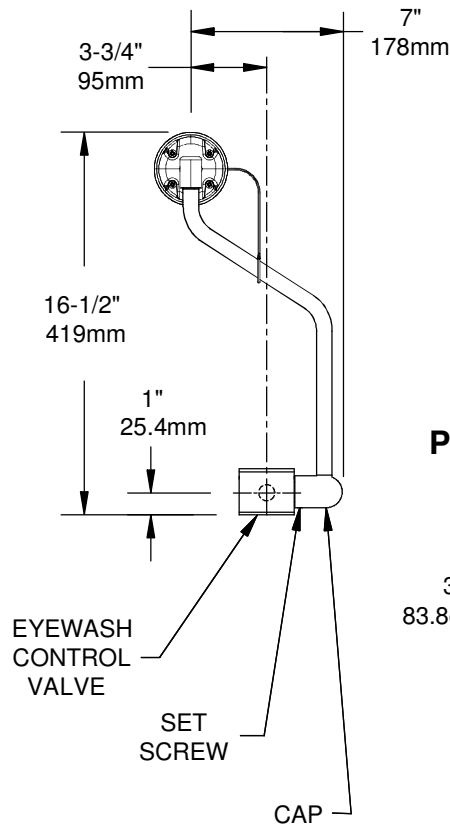
#### STEP 2



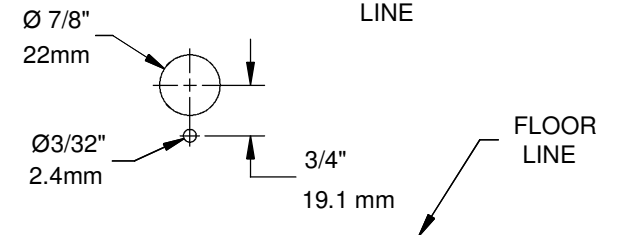
NOTE DEPTH OF SET SCREW PRIOR TO LOOSENING. LOOSEN SET SCREW AND ROTATE EYEWASH ARM 90 DEGREES CLOCKWISE (AS SHOWN) WHILE MAKING SURE TO NOT ROTATE THE SPOOL. RETIGHTEN SET SCREW IN NEW POSITION. ENSURE SET SCREW IS PROPERLY SEATED IN THE INDENT. MAKE SURE THE SET SCREW IS TIGHT AND AT ITS ORIGINAL DEPTH. ENSURE CORRECT ARM ORIENTATION BEFORE MOUNTING TO WALL. REFERENCE DRAWINGS AT RIGHT.


#### NOTES:

1. WHEN INSTALLING THIS UNIT, LOCAL, STATE, OR FEDERAL CODES SHOULD BE ADHERED TO FOR INSTALLATION DIMENSIONS (LOCATIONS), WASTE AND SUPPLY REQUIREMENTS OTHER THAN SHOWN.
2. THE ANSI Z358.1-2009 STANDARD SPECIFIES EYEWASH NOZZLE HEIGHTS TO BE 83.8cm (33 IN.) TO 114.3cm (45 IN.) ABOVE THE FLOOR AND 15.3cm (6 IN.) MINIMUM FROM WALL OR NEAREST OBSTRUCTION.
3. DRILL ONE  $\varnothing 7/8"$  [22mm] HOLE AND ONE  $\varnothing 3/32"$  HOLE WHERE UNIT IS TO BE INSTALLED. REFER TO MOUNTING HOLE DETAIL.
4. THESE DIMENSIONS MAY VARY  $\pm 1/2"$  [6.4mm].
5. ASSEMBLE EYE/FACE WASH TO ARM, ORIENT TAB ON ASSEMBLY AWAY FROM USER.



#### 3 MOUNTING HOLE DETAIL



		1455 KLEPPE LANE SPARKS, NEVADA 89431 (775) 359-4712 FAX (775) 359-7424 E-MAIL: HAWS@HAWS.CO.COM WEBSITE: WWW.HAWS.CO.COM	
ECN NO. 2066 DRAWN: JF APPROVED:	REVISED PER: PF DATE: 10/96 DATE:	MODEL(S) 7610 PULL DOWN EYE/FACE WASH	PART NUMBER 0002080067.D DRAWING NO. 12691A00 SHEET 2 OF 2
SCALE: 1:8		DRAWING TYPE: INSTALLATION	