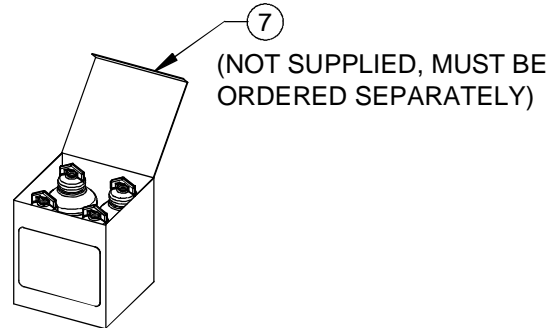
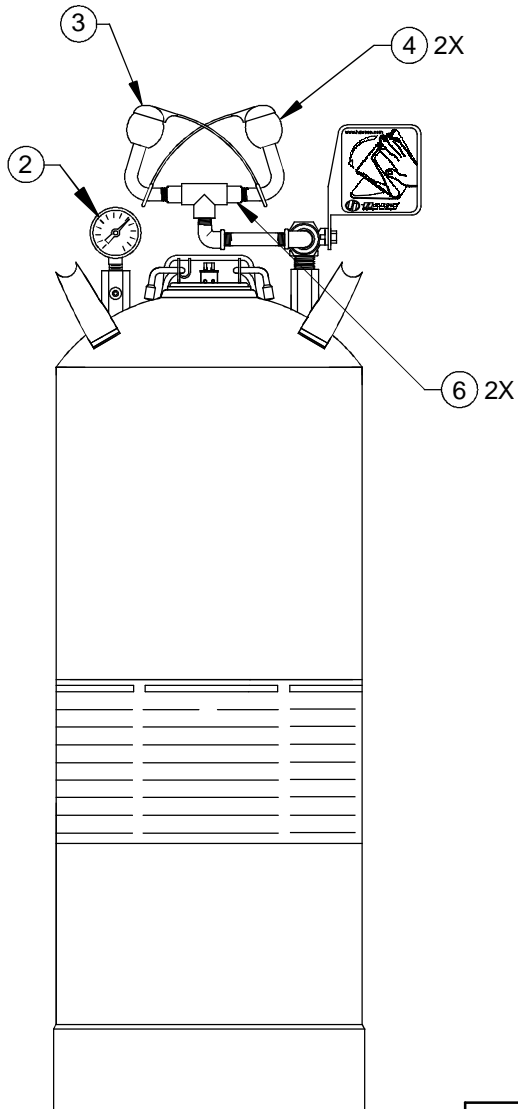
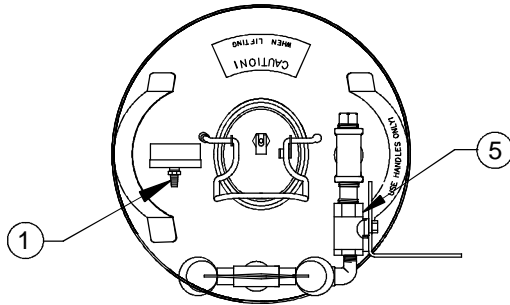



PARTS BREAKDOWN

ITEM	DESCRIPTION	PART NO.
1	VALVE, AIR	0006522676
2	GAUGE, PRESSURE	0002580702
3	COVER, POP-OFF	9094
4	HEAD, EYEWASH	SP12
5	VALVE, BALL	SP225
6	FLOW CONTROL	0012506950
7	STERILE ANTIMICROBIAL PRESERVATIVE	9082



WHEN ORDERING PARTS PLEASE SPECIFY MODEL NUMBER.

		Haws [®]		1455 KLEPPE LANE SPARKS, NEVADA 89431 (775) 359-4712 FAX (775) 359-7424 E-MAIL: HAWS@HAWSCO.COM WEBSITE: WWW.HAWSCO.COM		
				ECN NO. REVISED PER BY ECN: 4967 HM	MODEL(S) 7602.15	PART NUMBER 0002080053
DRAWN DZ	DATE 2/24/98	CHKD RVH	REVISION 14			
APPROVED FV	DATE 06/17/15	SCALE: 1:4	DRAWING TYPE: PARTS BREAKDOWN	SIZE: A	SHEET 1 OF 1	