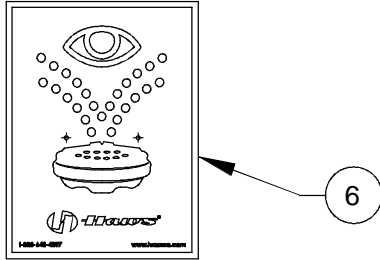
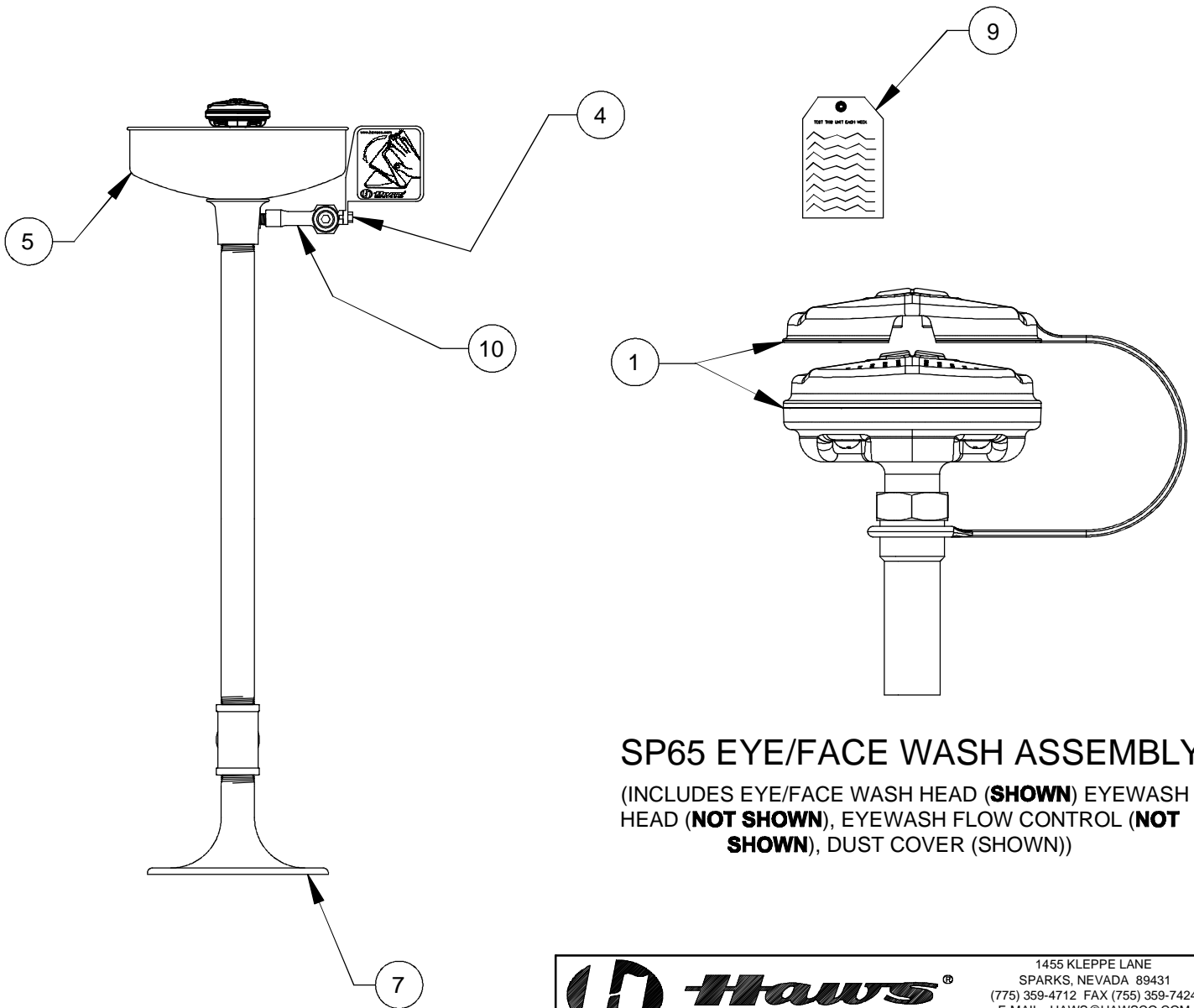


PARTS BREAKDOWN

ITEM	DESCRIPTION	PART NO.
1	EYE/FACE WASH ASSEMBLY	SP65
2	--	--
3	--	--
4	VALVE ASSEMBLY	SP229
5	BOWL	SP90
6	EYEWASH SIGN	SP175
7	FLOOR FLANGE	SP75
8	FOOT TREADLE (NOT SHOWN)	SP220
9	TEST TAG	SP170
10	L-STRAINER	SP509
--	STR. REPAIR KIT	VRKEWSTR



OPTIONAL



SP65 EYE/FACE WASH ASSEMBLY

(INCLUDES EYE/FACE WASH HEAD (**SHOWN**) EYEWASH HEAD (**NOT SHOWN**), EYEWASH FLOW CONTROL (**NOT SHOWN**), DUST COVER (SHOWN))

WHEN ORDERING PARTS PLEASE SPECIFY MODEL NUMBER.

 Haws ®		1455 KLEPPE LANE SPARKS, NEVADA 89431 (775) 359-4712 FAX (755) 359-7424 E-MAIL: HAWS@HAWSCO.COM WEBSITE: WWW.HAWSCO.COM	
		ECN NO. REVISD PER BY ECN: 4910 HM	MODEL(S) 7361-7461
DRAWN CLF	DATE 02/24/93	CHKD DATE	REV 14
APPROVED		DATE	SCALE: 1:8 DRAWING TYPE: PARTS BREAKDOWN SIZE: A SHEET 1 OF 1