



# model 7360B-7460B

AXION® MSR Wall Mount Eye/Face Wash

## FEATURES & BENEFITS

### QUALITY CONTROL

Eye/face wash and valve assembly is pre-built and fully water/pressure tested to ensure no leaks and proper function which ultimately reduces installation time and gives the end contractor an added peace of mind. Unit also ships with pre-assembled cast-aluminum wall bracket to assist in the installation process.

### BOWL

The 11" (27.9 cm) round stainless steel receptor is supplied with a No. 2L bright finish on its exterior

### STRAINERS/FILTERS

Chrome-plated brass in-line 50 x 50 mesh water strainer prevents debris from reaching the eyewash so the unit stays functioning at its best. Strainer is easily serviceable.

### EYE/FACE WASH

AXION® MSR eye/face wash head (patent pending) uses an inverted directional laminar flow to sweep contaminants away from the vulnerable nasal cavity.



## OPTIONS

- Test Tag: SP170 is a green waterproof test card with space for date and initials of inspector. Used to record weekly testing of emergency equipment.
- Waste Trap: Model SP95 chrome-plated brass trap with tailpiece. 1-1/2" IPS.
- Instantaneous Water Heater: Model TWBS.EW.H, prepackaged instantaneous electrical water heater, 480 VAC/3 phase/20 kW, fully engineered and tested system with fail-safe features to produce up to 6 gpm (22.7 L) tempered water for eye washes.
- Dust Cover: Model 9102 is a stainless steel cover that protects the eyewash heads as well as the bowl. (Picture shows cover mounted to an eyewash.)

To see all options for this model, visit [www.hawasco.com](http://www.hawasco.com)

## SPECIFICATIONS

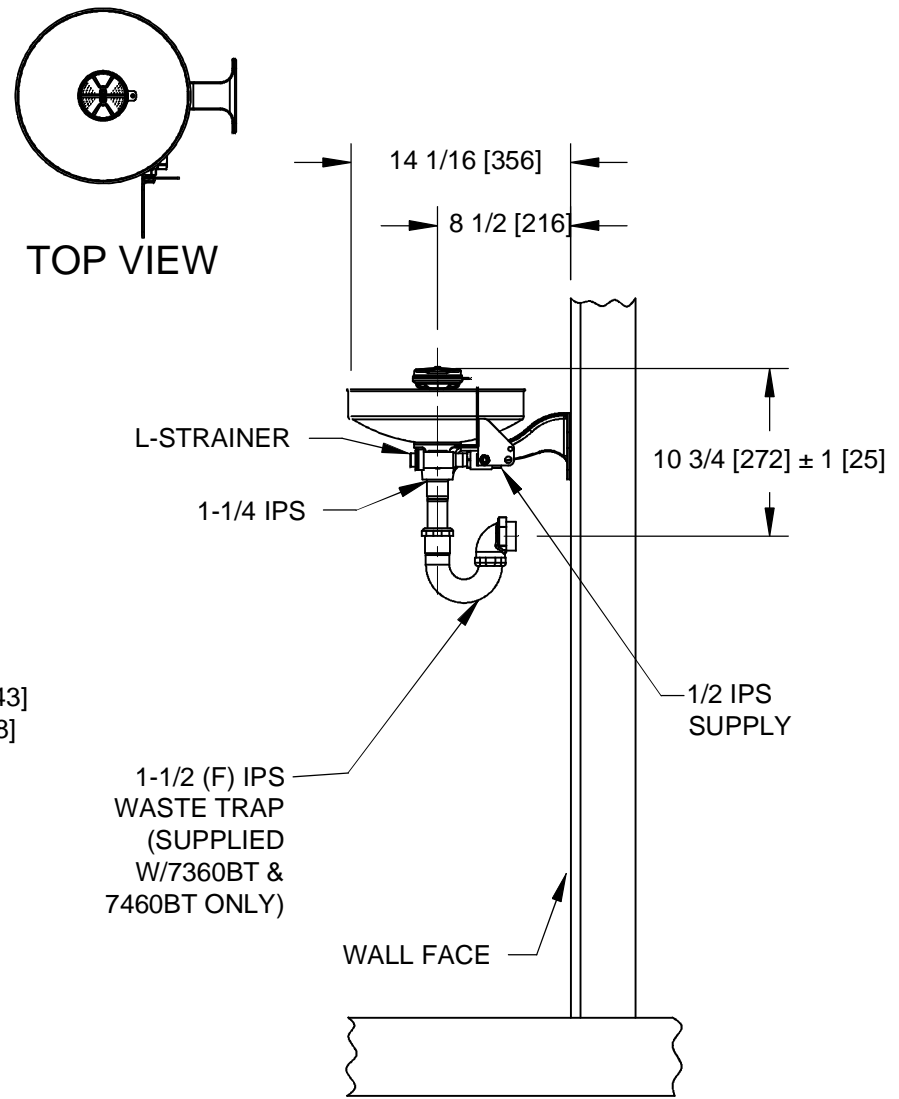
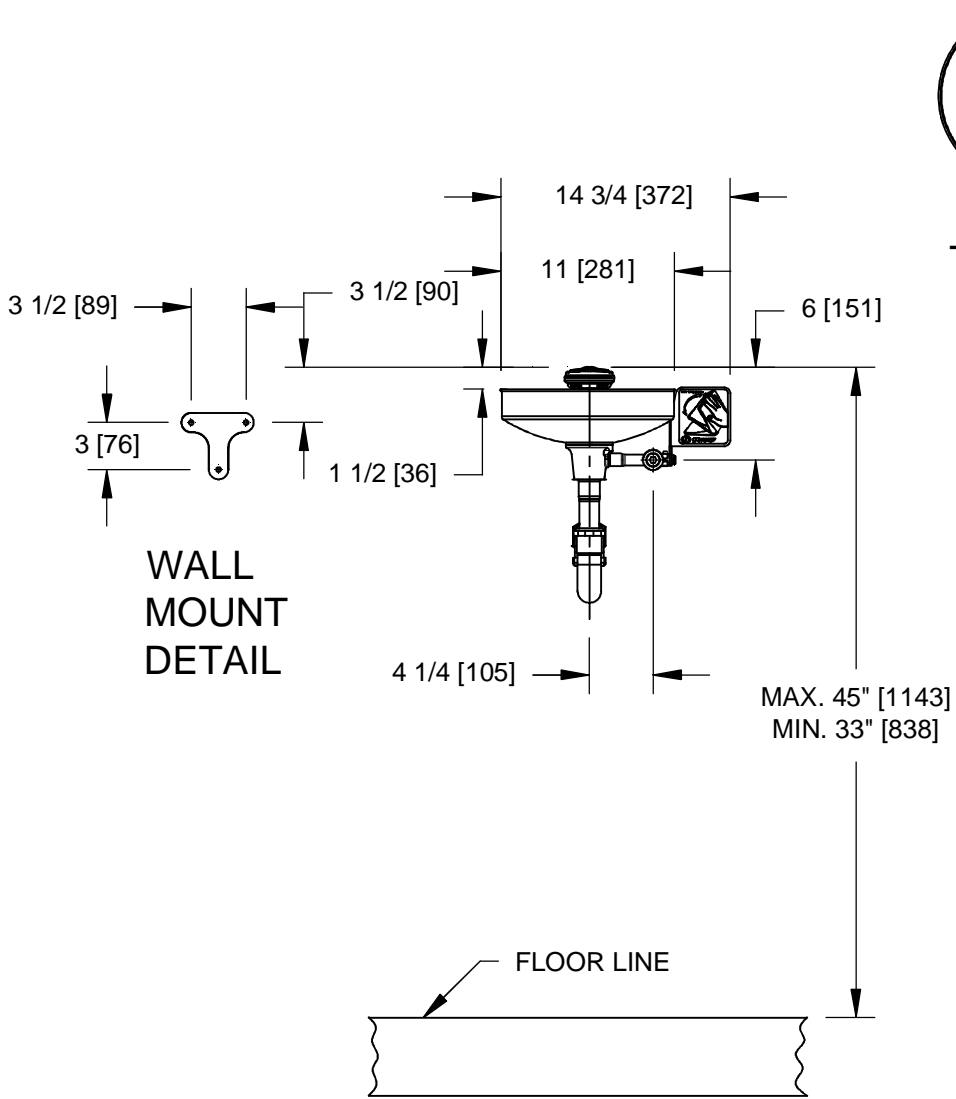
Model 7360B-7460B wall mounted eye/face wash shall include a stainless steel 11" (27.9 cm) round bowl, an AXION® MSR eye/face wash head shall feature inverted directional laminar flow which achieves zero vertical velocity supplied by an integral flow control, chrome-plated brass stay-open ball valve equipped with stainless steel ball and stem, and chrome-plated brass in-line 50 x 50 mesh water strainer. Unit shall also include cast-aluminum chromate protected wall bracket, yellow plastic pop-off dust cover for eyewash head, universal sign, 1/2" IPS inlet, and 1-1/4" IPS waste.

## APPLICATIONS

Where the eyes and face of any person may be exposed to injurious or corrosive materials, suitable facilities for quick flushing of the eyes and face must be provided within the work area for immediate emergency use. Emergency eye/face wash facilities shall be in unobstructed and accessible locations that require no more than 10 seconds for the injured person to reach. Model 7360B-7460B is certified by CSA to meet the ANSI Z358.1 Standard for Emergency Eyewash and Shower Equipment.



THIS DOCUMENT IS TRUE AND CORRECT AT TIME OF PUBLICATION. CONTINUED PRODUCT IMPROVEMENTS MAKE SPECIFICATIONS AND MEASUREMENTS SUBJECT TO CHANGE WITHOUT NOTICE.



NOTES:

1. METRIC DIMENSIONS ARE IN BRACKETS [X].
2. TO COMPLY WITH ANSI Z358.1-2009 FOR EMERGENCY EYEWASH OR EYE/FACE WASH:
  - UNIT SHALL BE INSTALLED IN ACCORDANCE WITH MANUFACTURER'S INSTRUCTIONS AND ACCEPTABLE PLUMBING PRACTICES.
  - EYEWASH OR EYE/FACE WASH SHALL BE POSITIONED WITH NOZZLES NOT LESS THEN 83.8 CM (33 IN.) AND NO GREATER THAN 114.3 CM (45 IN.) FROM SURFACE ON WHICH USER STANDS AND 15.3 CM (6 IN.) MINIMUM FROM WALL OR NEAREST OBSTRUCTION.
3. DIMENSIONS MAY VARY BY ± 1/2 [13].

		1455 KLEPPE LANE SPARKS, NEVADA 89431 (775) 359-4712 FAX (775) 359-7424 E-MAIL: HAWS@HAWS.CO.COM WEBSITE: WWW.HAWS.CO.COM		
				ECN NO: 4110 DRAWN: IR APPROVED:
		PART NUMBER 0002080042.D	DRAWING NO. 08808A00	REV 11
SCALE: 1:1		DRAWING TYPE: INSTALLATION		SIZE: A SHEET 1 OF 1