



model 6608HPS

Access Panel

FEATURES & BENEFITS

OPTIONS

To see all options for this model, visit www.hawesco.com

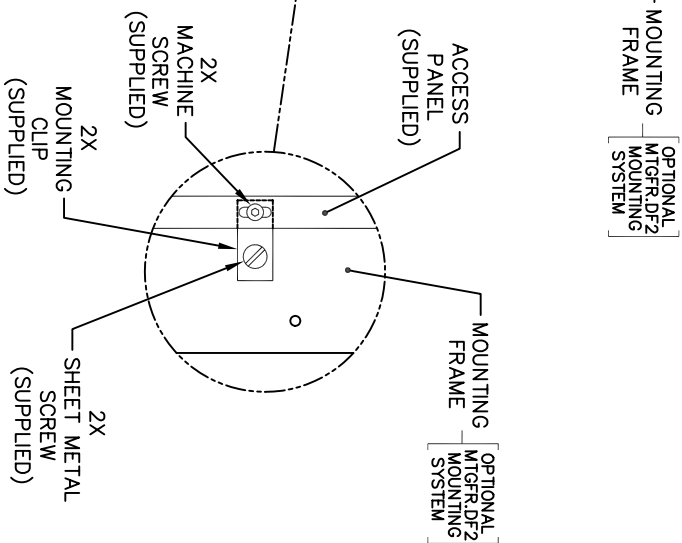
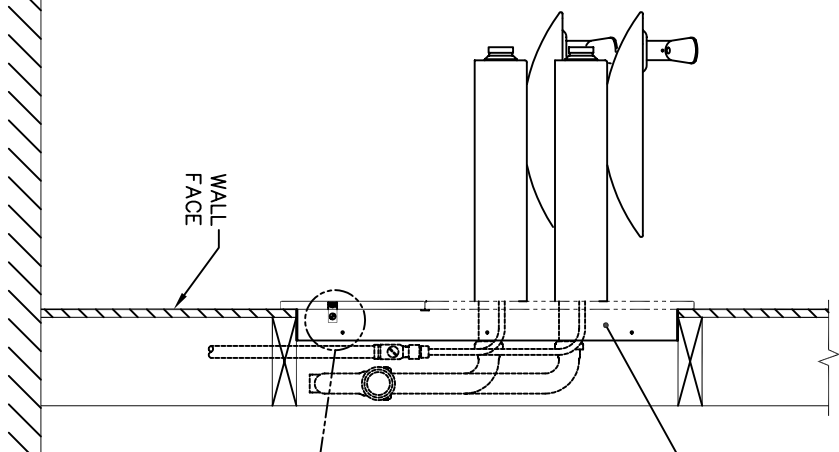
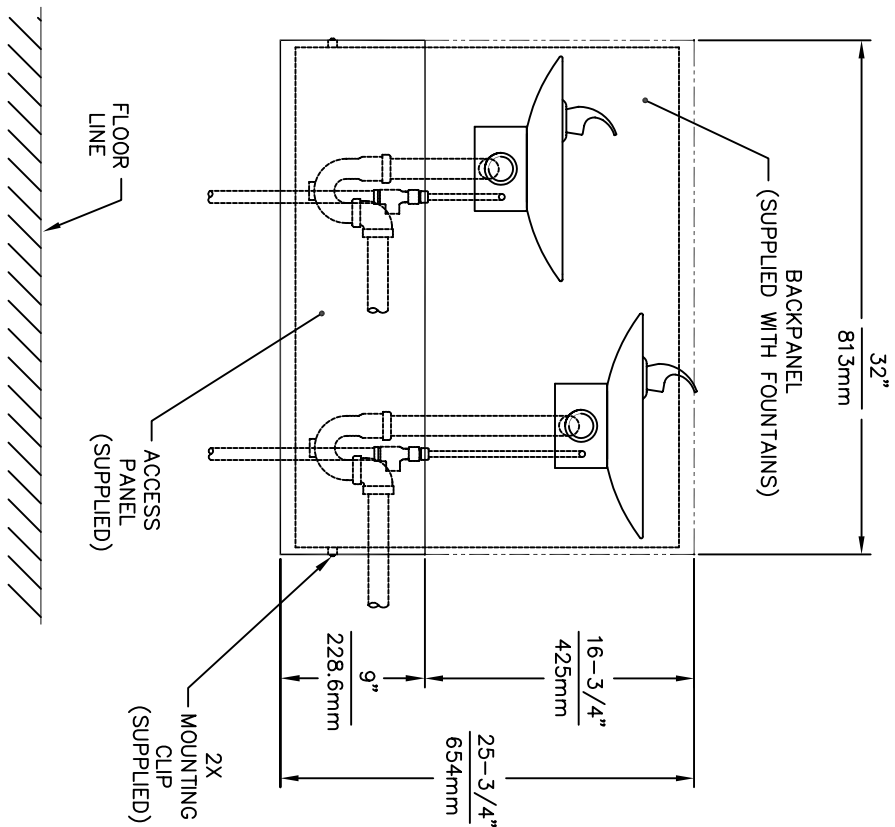


SPECIFICATIONS

Model 6608HPS is a 32" x 9" (81.2 x 22.9 cm) access panel designed to facilitate maintenance by allowing easier access to plumbing behind the wall. It is made of high-polished stainless steel for Model 1011HPSMS.

APPLICATIONS





NOTES:

FOR THOSE ACCESS PANELS THAT ARE GOLD PLATED (MODEL 6607), CLEAN WITH A NON-ABRASIVE CLEANER. SUGGEST USING ONE PART LEMON JUICE AND ONE PART WATER OR APPROVED CLEANER FORMULATED FOR CLEANING GOLD PLATING.

Howe's
 INFORMATION: 1-888-FAX-HANS (1-888-329-4297)
 14527 Highway 77A, Suite 1714, Sparks 77165, USA
 Phone: 771-856-7424
 Home: Ag Boedweg 3 CH-3401 Burgdorf Switzerland
 Hows Mfg Pte Ltd 74 Sungei Kidul Loop Singapore 729531
 e-mail: Howe@howsco.com Website: www.howsco.com

REVISED PART NUMBER	DATE	TITLE	REVISED PART NUMBER
13115C00	6/97	ACCESS PANEL	13115C00
MODEL: 8607/8608/8608RHS		INFO FAX DOC #	13115C00
SCALE: 1:1		DATE: 11/97	1