



model **6606**
Access Panel

FEATURES & BENEFITS

OPTIONS

To see all options for this model, visit www.hawSCO.com

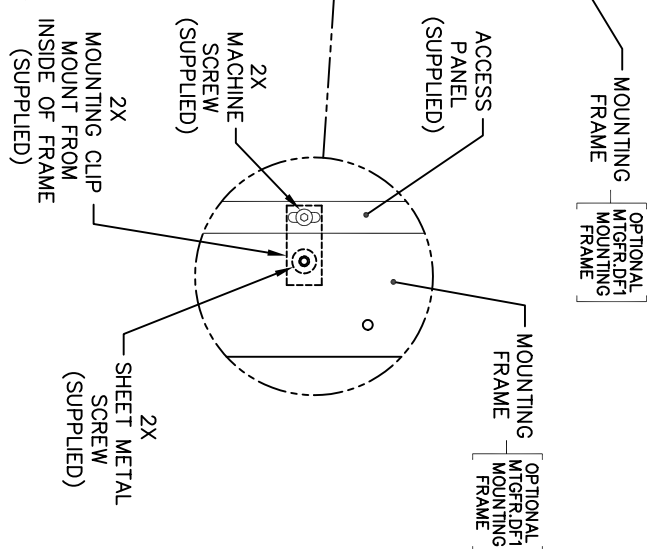
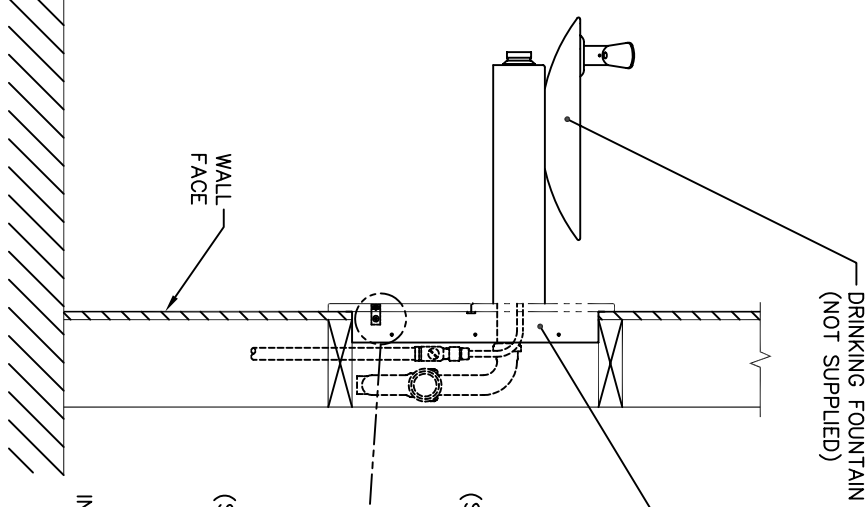
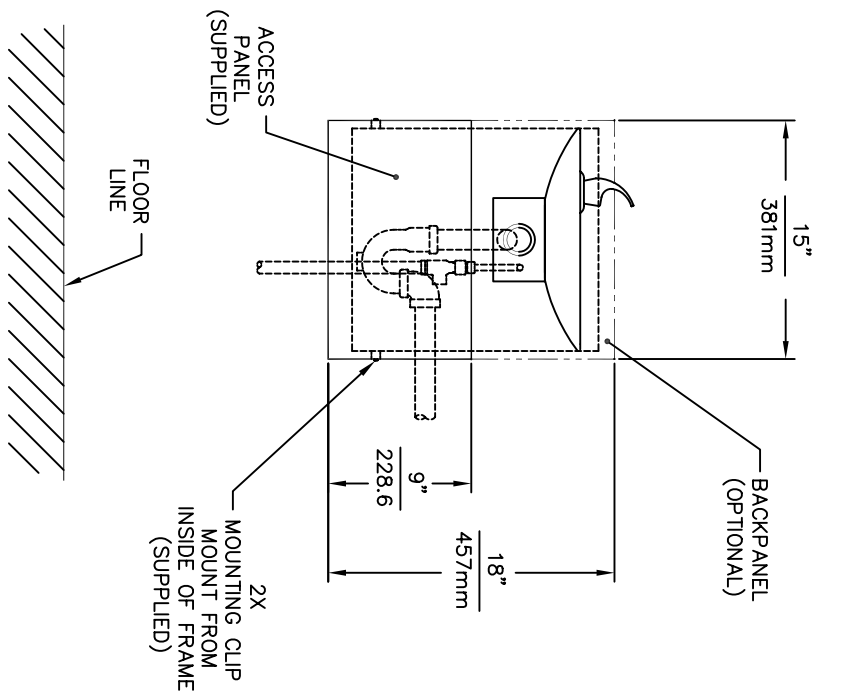


SPECIFICATIONS

Model 6606 is a 15" x 9" (38.1 x 22.9 cm) access panel designed to facilitate maintenance by allowing easier access to plumbing behind the wall. It is made of stainless steel with a satin finish, and is made to facilitate maintenance by allowing easier access to plumbing behind the wall. Must be used with MS mounting system option.

APPLICATIONS





Hawes Corporation

1455 Kluge Ln, Sparks, NV, 89431-7104
 Phone: 775/833-7104
 1400 Burdett, Switzerland
 Home Mtg Pte Ltd 74 Sungai Kodat Loop Singapore 729531
 e-mail: Hawes@hwsco.com website: www.hwsco.com

INFO FAX : 1-888-FAX-HAWES (1-888-329-4297)

MODEL: 6605/6606/6608RPS

TITLE: ACCESS PANEL

DATE: 6/97

SCALE: 1:1

13122C00

REV. A 1 3