

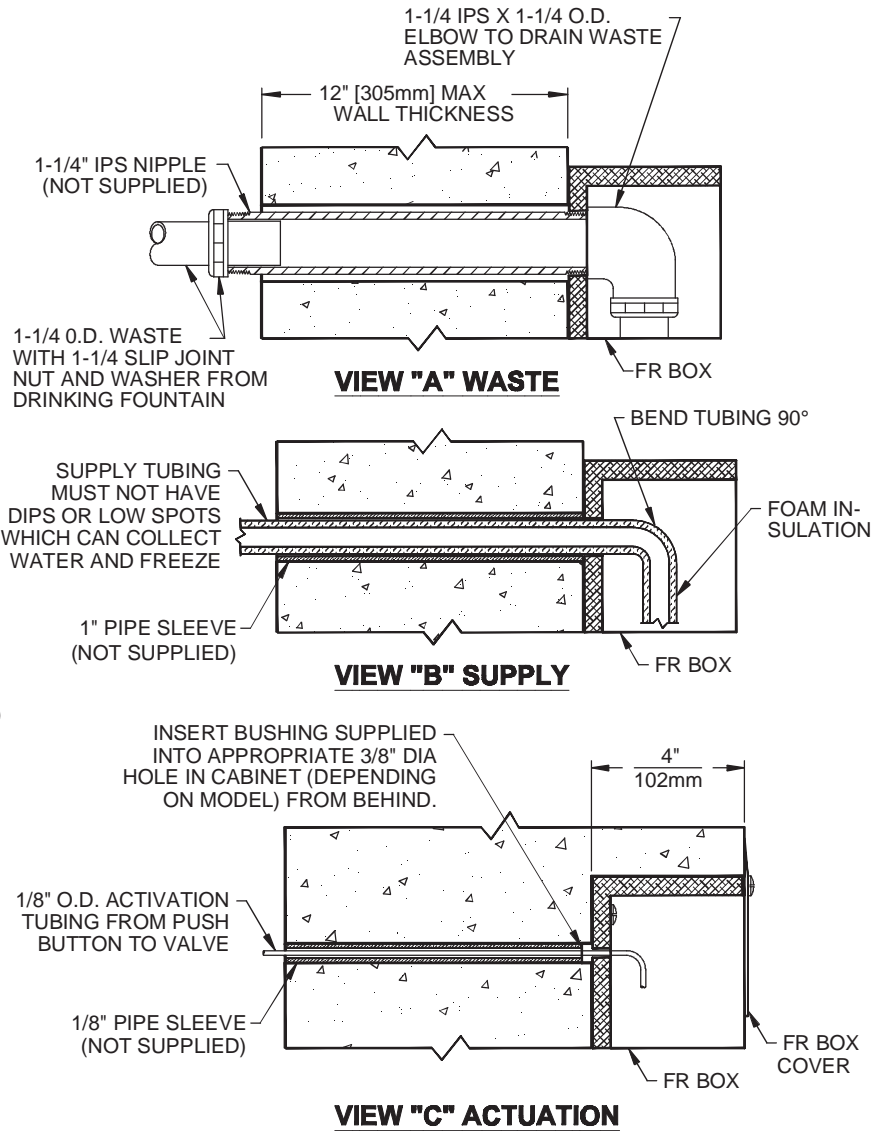
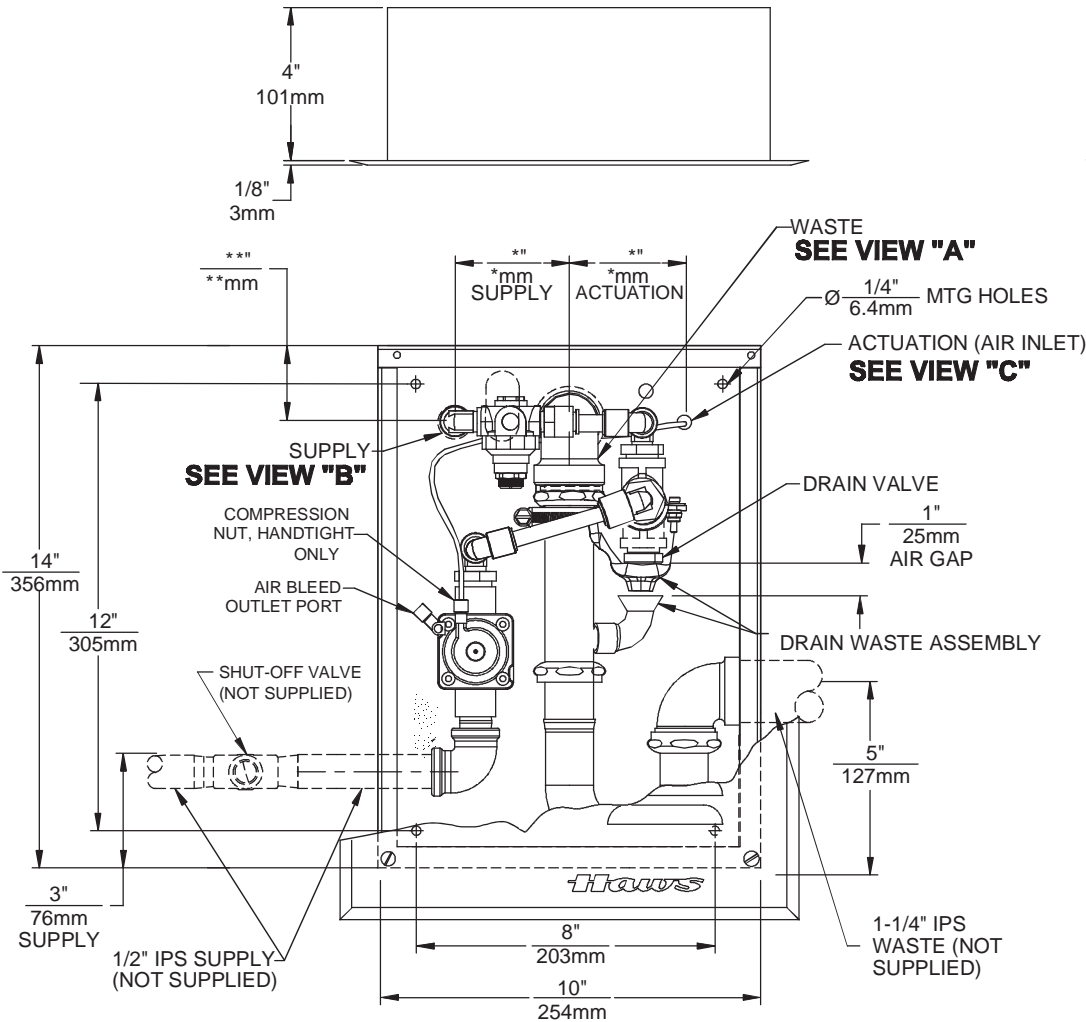
NOTES:

UNIT MAY BE RECESSED MOUNTED IN WALL AS SHOWN IN VIEW "C" OR SURFACE MOUNTED AS SHOWN IN VIEWS "A" AND "B".

* FOR ALL MODELS OTHER THAN 1001FR THESE DIMENSIONS ARE 3" [76mm] SUPPLY & 3" [76mm] ACTUATION. FOR MODELS 1001FR THESE DIMENSIONS ARE 1-3/4" [44mm] SUPPLY AND 2" [51mm] ACTUATION.

** FOR ALL MODELS OTHER THAN 1001FR THIS DIMENSION IS 2" [51mm] FOR 1001FR THIS DIMENSION IS 1-3/16" [30mm].

VALVE MUST BE INSTALLED IN SPACE THAT MAINTAINS A MINIMUM OF 50°F.



| | | | |
|--|--|---|--|
| | | 1455 KLEPPE LANE SPARKS, NEVADA 89431 (775) 359-4712 FAX (755) 359-7424 E-MAIL: HAWS@HAWSCO.COM WEBSITE: WWW.HAWSCO.COM | |
| | | ECN NO. REVISED PER BY: ECHN:4921 FV DRAWN: C.J.L. DATE: 09/92 CHKD.: APPROVED: FV DATE: 10/21/14 | MODEL(S) 6521FR FREEZE VALVE 1 BUBBLER |
| ©2014 Haws Corporation - All Rights Reserved. HAWS® and other trademarks used in these materials are the exclusive property of Haws Corporation. | | SCALE: 1:5 DRAWING TYPE: INSTALLATION SIZE: A SHEET 1 OF 1 | |