



model 6463PCP

Drain Strainer

FEATURES & BENEFITS

OPTIONS

To see all options for this model, visit www.hawesco.com

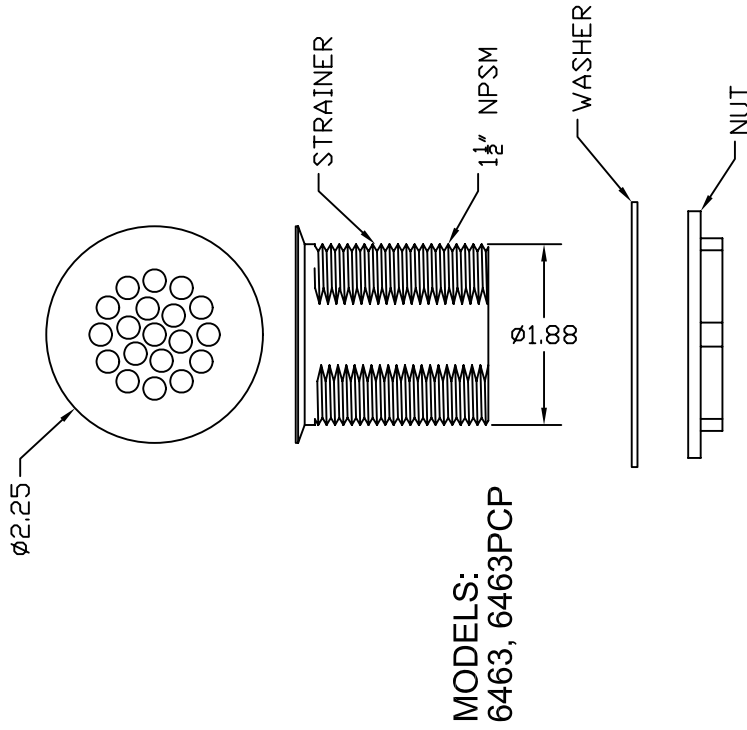
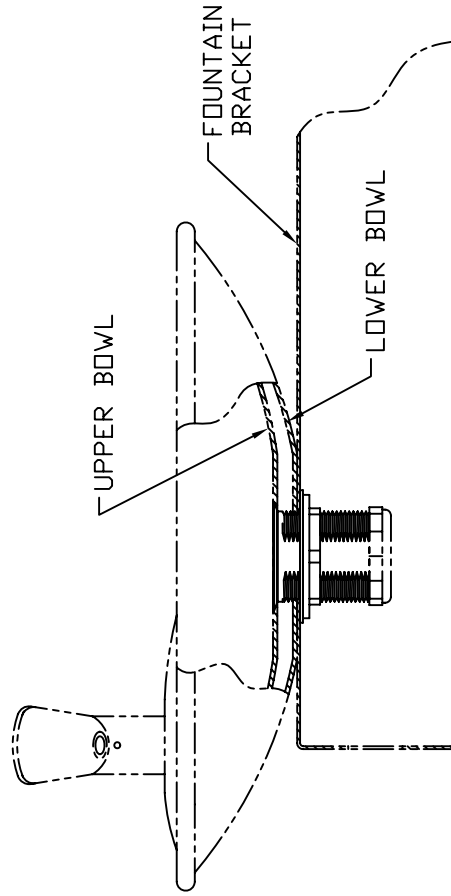


SPECIFICATIONS

Model 6463PCP is a polished chrome-plated vandal-resistant waste strainer with anti-airlock draining feature. Includes fiber washer and locknut, 1-1/2" NPS. Used on the 1000 series type bowls.

APPLICATIONS

THIS DOCUMENT IS TRUE AND CORRECT AT TIME OF PUBLICATION. CONTINUED PRODUCT IMPROVEMENTS MAKE SPECIFICATIONS AND MEASUREMENTS SUBJECT TO CHANGE WITHOUT NOTICE.



MODELS:
6463, 6463PCP

TYPICAL INSTALLTION
ACTUAL MODEL WILL VARY



INFO FAX : 1-888-FAX-HAWS (1-888-329-4297)
1455 Kleppe Ln, Sparks NV, 89431
Phone: 775-359-4712 Fax: 775-359-7424
Haws Ag, Bachweg 3, CH-3401 Burgdorf Switzerland
Haws Mfg Pte Ltd 74 Sungai Kadut Loop Singapore 729531
e-mail: Haws@hawsco.com website: www.hawsco.com

FOR NO.	REVISED BY	DATE	BY	DATE	BY	DATE	BY
	EGN, 4054	12/27/99	BW				
U.F.							
APPROVED:							
MODEL(S):	6463, 6463PCP						
INFO FAX DOC #:	26463						
SCALE:	1:2						
DRAWING TYPE:	INSTALLATION/BACK						
DRAWING NUMBER:	14458000						
REV:	2						
SIZE:	A						
SHEET:	1 OF 1						