



model **6450**  
Waste Strainer

## FEATURES & BENEFITS

---

## OPTIONS

---

To see all options for this model, visit [www.hawSCO.com](http://www.hawSCO.com)



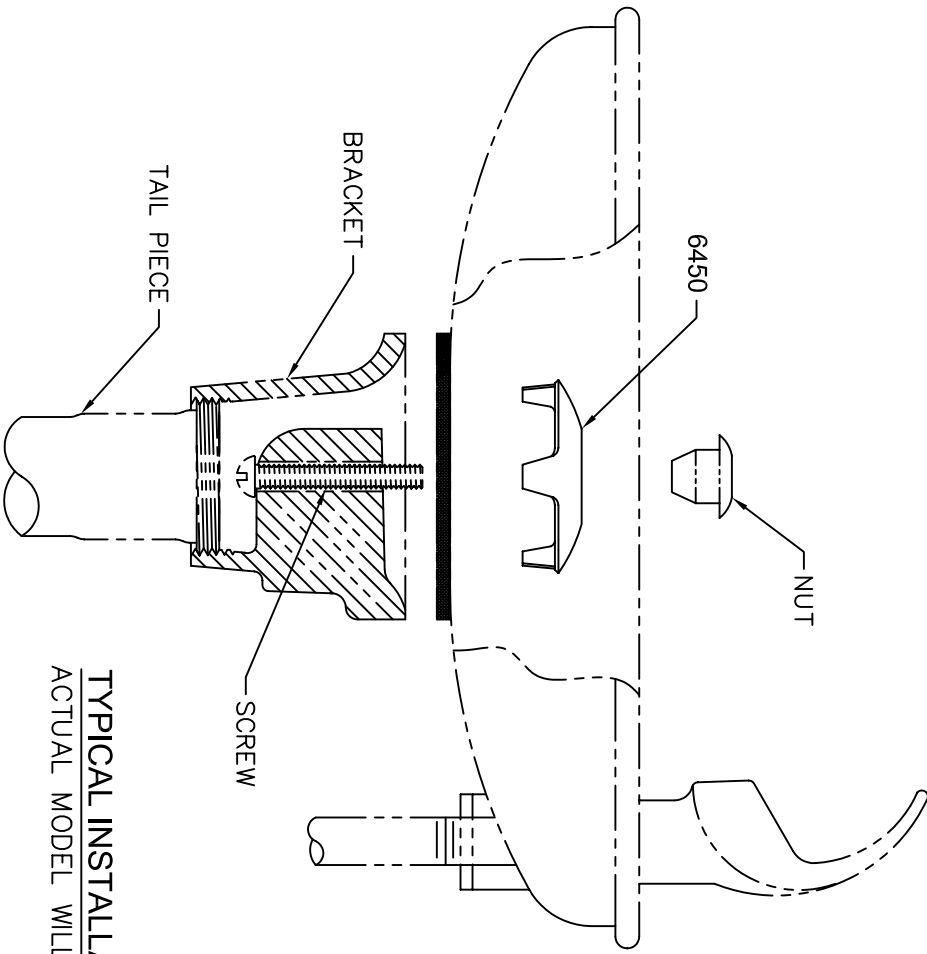
## SPECIFICATIONS

---

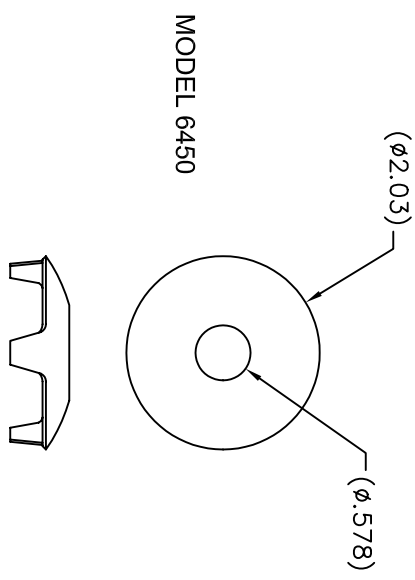
Model 6450 is a polished stainless steel waste strainer for drinking fountain receptors. 2" (5.1 cm) diameter with 9/16" (1.4 cm) center mounting hole.

## APPLICATIONS

---



**TYPICAL INSTALLATION**  
 ACTUAL MODEL WILL VARY



<b>Haws</b> CORPORATION		INFO FAX : 1-888-FAX-HAWS (1-888-329-4297) 1455 Klegge Ln, Sparks NV, 89431 Phone: 775-339-3339 Fax: 775-339-7404 Haws Mfg. Pile Ltd 74 Sungai Kudat Loop Singapore 729531 e-mail: Haws@hawsco.com website: www.hawsco.com	
DATE: 3/24/99 DRAWN BY: JRM CHECKED BY: JRM APPROVED BY: JRM	TITLE: STRAINER MODEL: 6450 INFO FAX DOC # 6450	PART NUMBER: 14447C00 QUANTITY: 1	DATE: 12/06/98 SCALE: 1:2