



model 5851LFHST

Valve Handle

FEATURES & BENEFITS

OPTIONS

To see all options for this model, visit www.hawesco.com



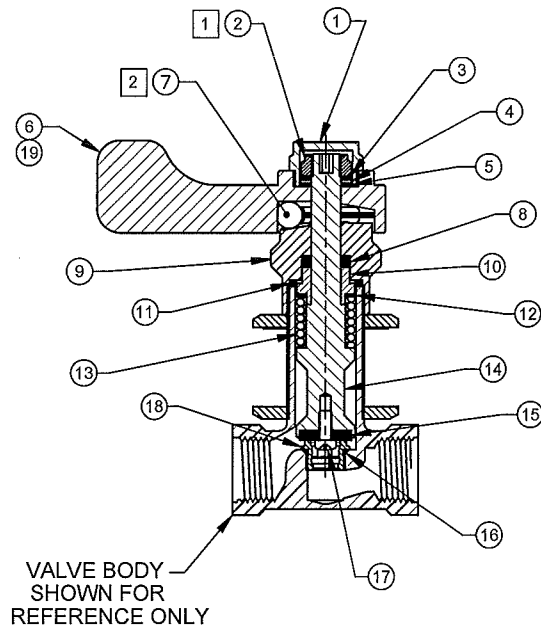
SPECIFICATIONS

Model 5851LFHST is a handle and stem assembly for the 5851LF valve and shall include a polished chrome-plated brass handle and handle cap, is assembled complete with all supporting parts, and is ready to install on valves 2005 and newer.

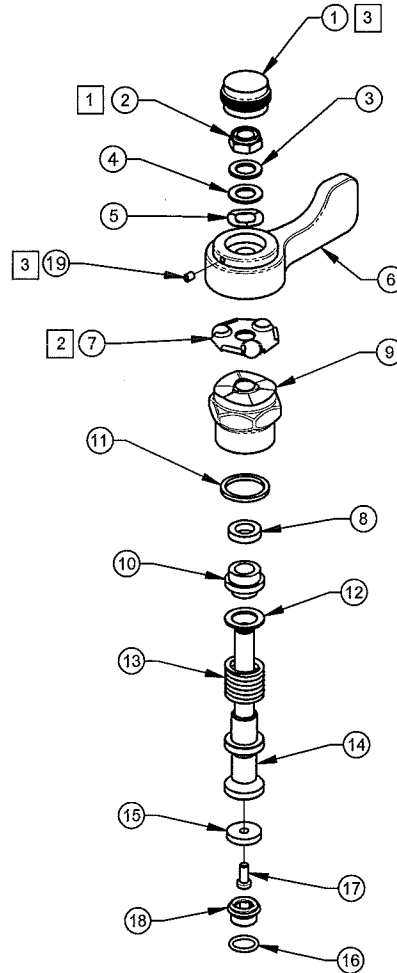
APPLICATIONS

NOTES:

- 1 IF NEEDED, WHEN RE-ASSEMBLING VALVE TIGHTEN DOWN ON (EXISTING) 3/8"-24 LOCK NUT USING A 9/16" BOX WRENCH AND A 5/16" ALLEN WRENCH (TO KEEP VALVE STEM (ITEM 14) FROM TURNING) UNTIL ACHIEVING A SLIGHT PLAY ON HANDLE. CAUTION: DO NOT OVER-TIGHTEN NUT. VALVE WILL LEAK.
- 2 LUBRICATE WITH GREASE BEFORE ASSEMBLY.
- 3 SECURE CAP (ITEM 1) WITH SET SCREW (ITEM 19) USING A 1/16" ALLEN WRENCH.

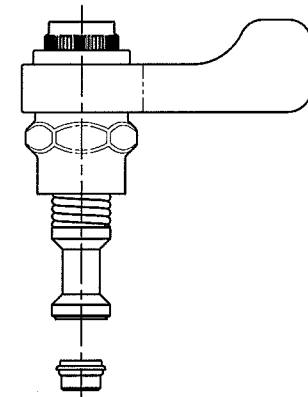


FOR MODEL:
5851LF



EXPLODED VIEW

BILL OF MATERIAL		
ITEM	PART NO.	DESCRIPTION
19	0005063885	SCREW, SET 6-32 UNC
18	0005208682	SEAT F/5830HST
17	0005064870	SCREW, 8-32 X 3/8"
16	0003981050	O-RING, .426 X .070 WALL
15	0006634576	WASHER, .660 X .170 X .125
14	0005537700	STEM, VALVE
13	0005425392	SPRING, .73 X 1.25 X 2.50mm
12	0006634380	WASHER, .75 X .494 X .040
11	0006621020	WASHER, .923 X .751 X .075
10	0002583484	GLAND
9	0001037809	BONNET, FAUCET
8	0002582902	GLAND PACKING
7	0000192993	BEARING SET
6	0003221210	HANDLE, LEVER F/5054LF
5	0006626653	WASHER, WAVE 5/16"
4	0006633792	WASHER, .650 X .380 X .040
3	0006633596	WASHER, .625 X .390 X .048
2	0003801119	NUT, 3/8-24 UNF NYLON LOCK
1	0001464267	INDEX CAP



ASSEMBLED VIEW

1455 KLEPPE LANE
SPARKS, NEVADA 89431
(775) 359-4712 FAX (755) 359-7424
E-MAIL: HAWS@HAWSCO.COM
WEBSITE: WWW.HAWSCO.COM

ECN NO. REVISED PER BY:	MODEL(S)	PART NUMBER	DRAWING NO.
ECN: 4689	5851LFHST	0002080001	15245A00
DRAWN: RTM	DATE: 02/22/06	CHKD:	REV: 2
APPROVED:	DATE:	DRAWING TYPE: INSTALLATION	SHEET 1 OF 1