



model **5830LF**
Faucet Valve

FEATURES & BENEFITS

VALVE

Polished chrome-plated, lead-free brass, lever handle self-closing valve features screwdriver adjustment stream control.

OPTIONS

To see all options for this model, visit www.hawSCO.com



SPECIFICATIONS

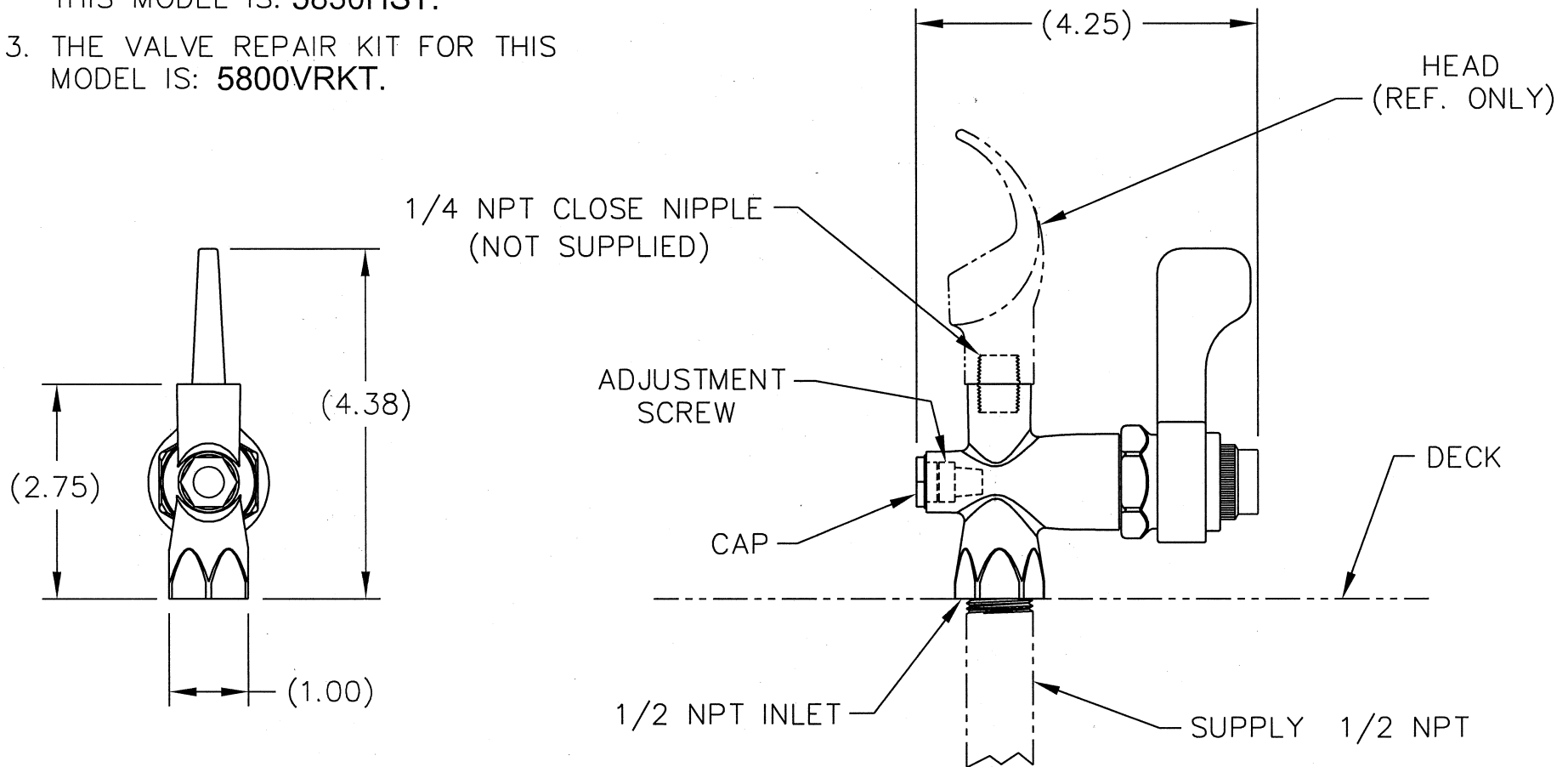
Model 5830LF is a polished chrome-plated lead-free brass bubbler valve which incorporates self-closing lever handle operation and uses a screwdriver adjustment stream control. It is supplied with a 1/2" IPS inlet and 1/4" IPS outlet.

APPLICATIONS

Easily adapted to many situations involving the use of drinking water. Specifically, this type of bubbler valve is used as a replacement valve for some Haws products, or may be placed in such settings as: schools, campgrounds, laboratories, classrooms, parks, and other areas where the need for a bubbler valve is needed to dispense water. Haws manufactures drinking fountains and electric water coolers to be lead-free by all known definitions including NSF/ANSI Standard 61, Section 9, NSF/ANSI 372, California Proposition 65, and the Federal Safe Drinking Water Act.

NOTES:

1. TO ADJUST FLOW, TURN ADJUSTMENT SCREW COUNTER CLOCKWISE TO INCREASE FLOW AND CLOCKWISE TO DECREASE FLOW.
2. THE HANDLE/STEM REPAIR KIT FOR THIS MODEL IS: **5830HST**.
3. THE VALVE REPAIR KIT FOR THIS MODEL IS: **5800VRKT**.



Haws Corporation
 INFO FAX : 1-888-FAX-HAWS (1-888-329-4297)
 1455 Kleppe Ln, Sparks NV, 89431
 Phone: 775-359-4712 Fax: 775-359-7424
 Haws Ag Bachweg 3 CH-3401 Burgdorf Switzerland
 Haws Mfg Pte Ltd 74 Sungei Kadut Loop Singapore 729531
 e-mail: Haws@hawsco.com website: www.hawsco.com

ECN NO. ECN: 3907	REVISED PER: HM	MODEL(S): 5830LF	PART NUMBER: 0002077551
DRAWN: K.H.	DATE: 10/96	INFO FAX DOC #: 2583053	DRAWING NUMBER: 12615A00
APPROVED: [Signature]	DATE: 1/16/07	SCALE: 1:2	REV: 3
DRAWING TYPE: INSTALLATION/FAKBACK			SIZE: A SHT. 1 OF 1