

FEATURES & BENEFITS

OPTIONS

To see all options for this model, visit www.hawesco.com



SPECIFICATIONS

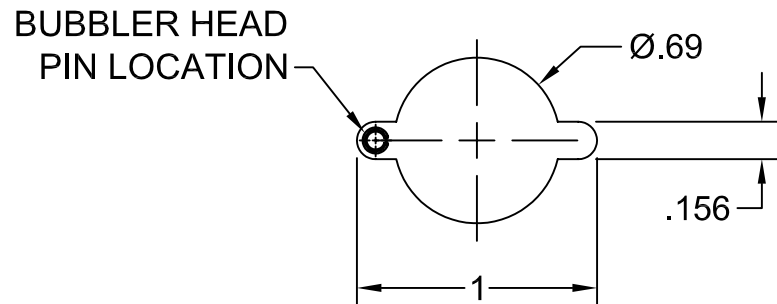
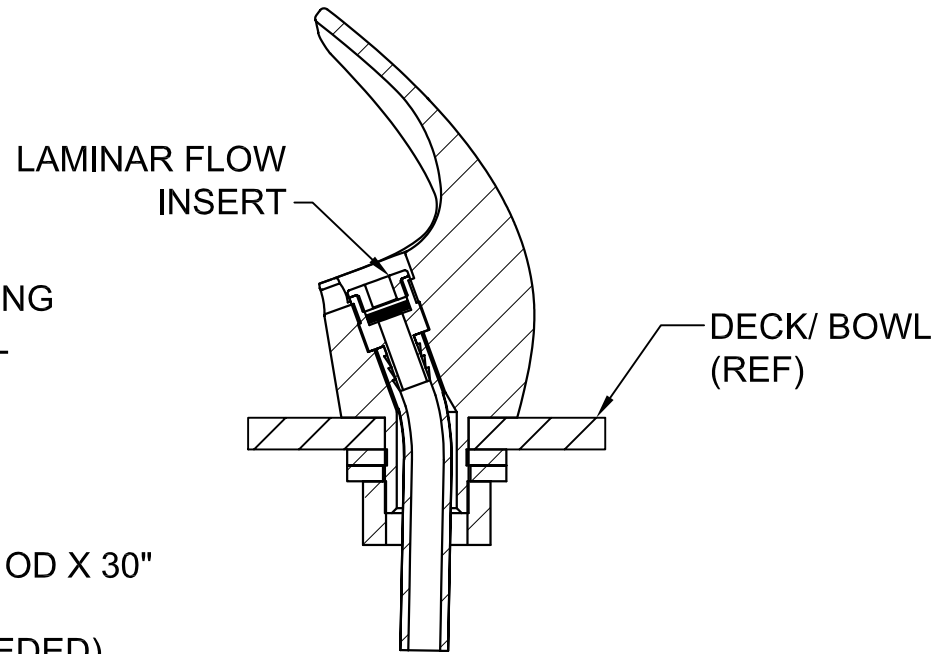
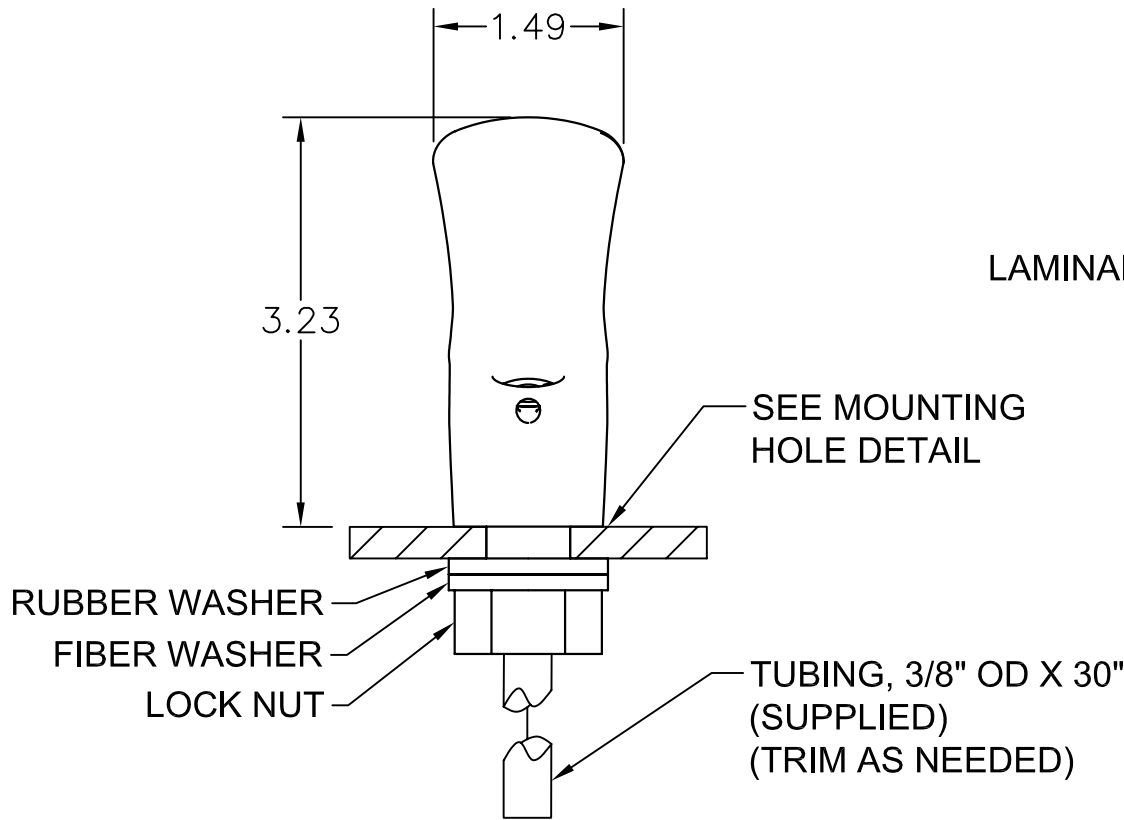
Model 5705 is a polished chrome-plated brass drinking fountain bubbler with 100% lead-free water ways, integral laminar flow, shielded anti-squirt angled stream, mounting hardware with integral lock pin, and 3/8" IPS inlet.

APPLICATIONS

Easily adapted to many situations involving the use of drinking water. Specifically, this type of bubbler head is used as a replacement head for many Haws fountains, or may be placed in such settings as: schools, campgrounds, laboratories, classrooms, parks, and other areas where the need for a bubbler head is needed to dispense water. Haws manufactures drinking fountains and electric water coolers to be lead-free by all known definitions including NSF/ANSI Standard 61, Section 9, NSF/ANSI 372, California Proposition 65, and the Federal Safe Drinking Water Act.

NOTES:

1. BUBBLER HEAD AND INSERT ARE SIZED TO FLOW AT .4 GALLONS PER MINUTE.



MOUNTING HOLE DETAIL

		1455 KLEPPE LANE SPARKS, NEVADA 89431 (775) 359-4712 FAX (755) 359-7424 E-MAIL: HAWS@HAWS.CO.COM WEBSITE: WWW.HAWS.CO.COM	
		ECN NO. REVISED PER BY: MODEL(S) ECN: 4443 BW	PART NUMBER 0002077531
DRAWN: JF DATE: 12/02 APPROVED:	DATE:	CHKD.: 5705 BUBBLER HEAD ASSEMBLY	DRAWING NO. REV 14375C00 3
SCALE: 1:1		DRAWING TYPE: INSTALLATION	SIZE: A SHEET 1 OF 1