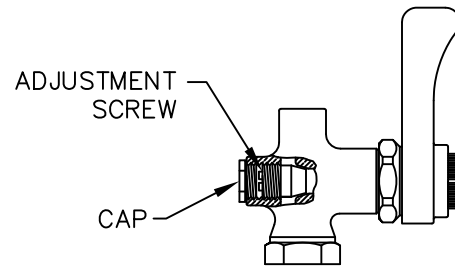
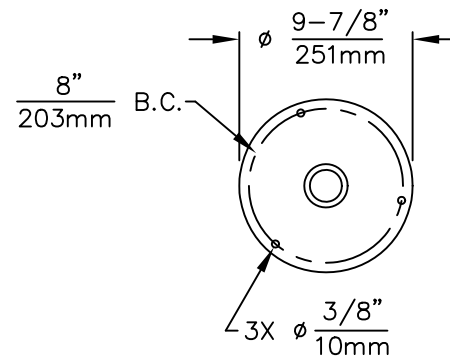


TO ADJUST FLOW, TURN ADJUSTMENT SCREW COUNTER CLOCKWISE TO INCREASE FLOW, AND CLOCKWISE TO DECREASE FLOW.



VALVE DETAIL
SCALE: 3X



MOUNTING DETAIL

ROUGH-IN DIMENSIONS MAY VARY $\pm 1/4"$ (6.4mm).

		INFO FAX : 1-888-FAX-HAWS (1-888-329-4297) 1455 Kleppe Ln, Sparks NV, 89431 Phone: 775-359-4712 Fax: 775-359-7424 Haws Ag Bachweg 3 CH-3401 Burgdorf Switzerland Haws Mfg Pte Ltd 74 Sungei Kadut Loop Singapore 729531 e-mail: Haws@hawsco.com website: www.hawsco.com	
ECR NO. DRAWN: C.I.L. APPROVED:	REVISED PER ECN: 387B DATE: 06/92 DATE:	BY: HM CHK'D: 3482 INFO FAX DOC #: 23482 SCALE: 1:10	MODEL(S): 3482 DRAWING NUMBER: 10210C00 REV: 11 SIZE: A SHT: 1 OF 1

DWG. NO. 10210C00