



**INSTALLATION, OPERATION  
&  
MAINTENANCE INSTRUCTIONS**

1455 Kleppe Lane ♦ Sparks, NV 89431-6467 ♦ (775) 359-4712 ♦ Fax (775) 359-7424  
E-mail: [haws@hawsco.com](mailto:haws@hawsco.com) ♦ website: [www.hawsco.com](http://www.hawsco.com)

No. 2077367(17)

**Model 3380/3380G  
Drinking Fountain**

**NOTE TO INSTALLER: Please leave this information with the Maintenance Department.**

**LIMITED WARRANTY**

HAWS warrants that this specific product is guaranteed against defective material or poor workmanship for a period of **one year from date of shipment**. HAWS liability under this warranty shall be discharged by furnishing without charge F.O.B. HAWS Factory any goods, or part thereof, which shall appear to the Company upon inspection to be of defective material or not of first class workmanship, provided that claim is made in writing to Haws within a reasonable period after receipt of the product. Where claims for defects are made, the defective part or parts shall be delivered to the Company, prepaid, for inspection. HAWS will not be liable for the cost of repairs, alterations or replacements, or for any expense connected therewith made by the owner or his agents, except upon written authority from HAWS, Sparks, Nevada. HAWS will not be liable for any damages caused by defective materials or poor workmanship, except for replacements, as provided above. Buyer agrees that HAWS shall not be liable for general, special, or consequential damages claimed to arise under the contract of sale. The drinking fountain manufactured by HAWS is warranted to function if installation and maintenance instructions provided are adhered to. The units also must be used for the purpose for which they were intended.

**NO OTHER WARRANTIES EXPRESSED OR IMPLIED ARE AUTHORIZED,  
PROVIDED OR GIVEN BY HAWS.**

**SHOULD YOU EXPERIENCE DIFFICULTY WITH THE INSTALLATION OF THIS  
MODEL PLEASE CALL:**

**TECHNICAL SUPPORT: 1-800-766-5612**

**FOR CUSTOMER SERVICE: 1-888-640-4297**

**RECOMMENDED TOOLS:** Hack saw, pipe joint sealant, screwdriver, level, 12" adjustable wrench, 10" pipe wrench, 5/64" hex key wrench, 9/16", 1/2", 7/16" socket wrench or open end wrench.

**LOCATION OF UNIT:** The Model 3380/3380G Drinking Fountain is a wheelchair accessible drinking water facility. The height dimensions shown, meet current ADA requirements. When installing this unit, local, state or federal codes should be adhered to. If height other than shown is required, then dimensions must be adjusted accordingly.

**SUPPLY LINE:** The minimum recommended line size is 1/2"IPS with 30-90 psi (2-6 ATM) flowing pressure. Where sediment or mineral content is a problem, an inlet filter is recommended.

**PLUMBING CONNECTIONS:** Inlet is 1/4" IPS male fitting. Waste outlet is 1-1/2" O.D. tailpiece.

**MAINTENANCE:** Periodically clean the strainer. Refer to 5874SS Valve Manual for more information.

## TROUBLESHOOTING

| PROBLEM                       | REPAIR CHECKLIST  |
|-------------------------------|---|
| 1. Insufficient bubbler flow. | 1a. Check that inlet screwdriver stop valve is in wide-open position.<br>b. Verify minimum 30 psi flowing supply pressure.<br>c. Clean strainer. See 5874SS Valve Manual.<br>d. Adjust valve to increase flow. Use front adjust screw or see 5874SS Valve Manual.<br>e. Clean screens (inside nozzle body). Unscrew nozzle insert and very gently activate water supply to pop out qty. 3 screens (be careful not to lose screens). Remove any debris clogging the screen openings and place back into nozzle body. Reassemble nozzle insert. |

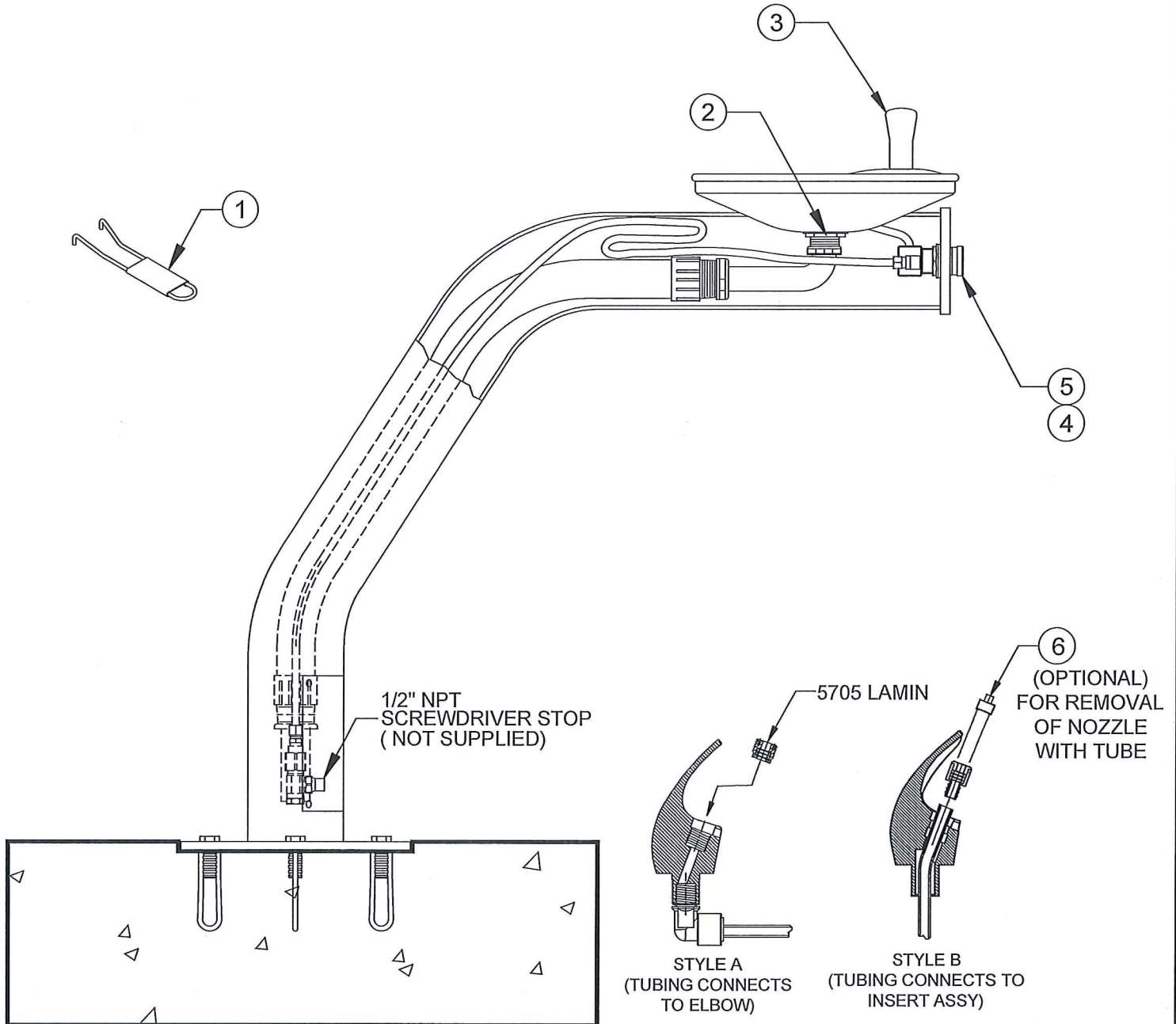
**General Notes:**

Before tightening nut and ferrule assembly, push tubing into fitting until it bottoms out to ensure correct engagement with O-Ring.

For more information about Haws products, see our website: [www.hawesco.com](http://www.hawesco.com)

| ITEM | DESCRIPTION                       | PART NO.   |
|------|-----------------------------------|------------|
| 1    | SPANNER WRENCH                    | 0006983506 |
| 2    | STRAINER                          | 0005624292 |
| 3    | BUBBLER HEAD (STYLE A OR STYLE B) | 5705       |
| 4    | PUSH BTN ASS'Y                    | PBA7       |
| 5    | VALVE                             | 5874SS     |
| 6    | DRIVER, NOZZLE .25 HEX            | 0002082253 |

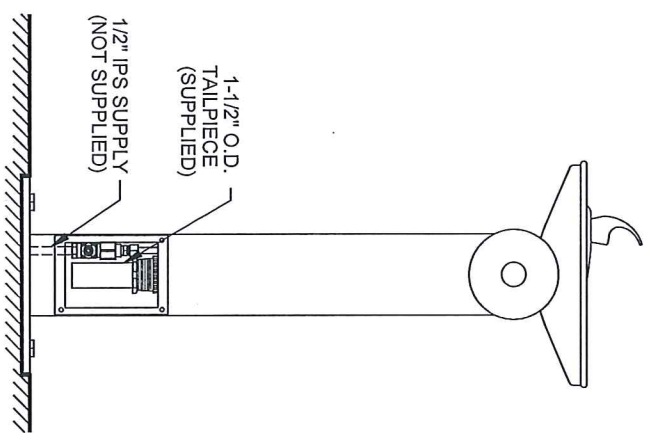
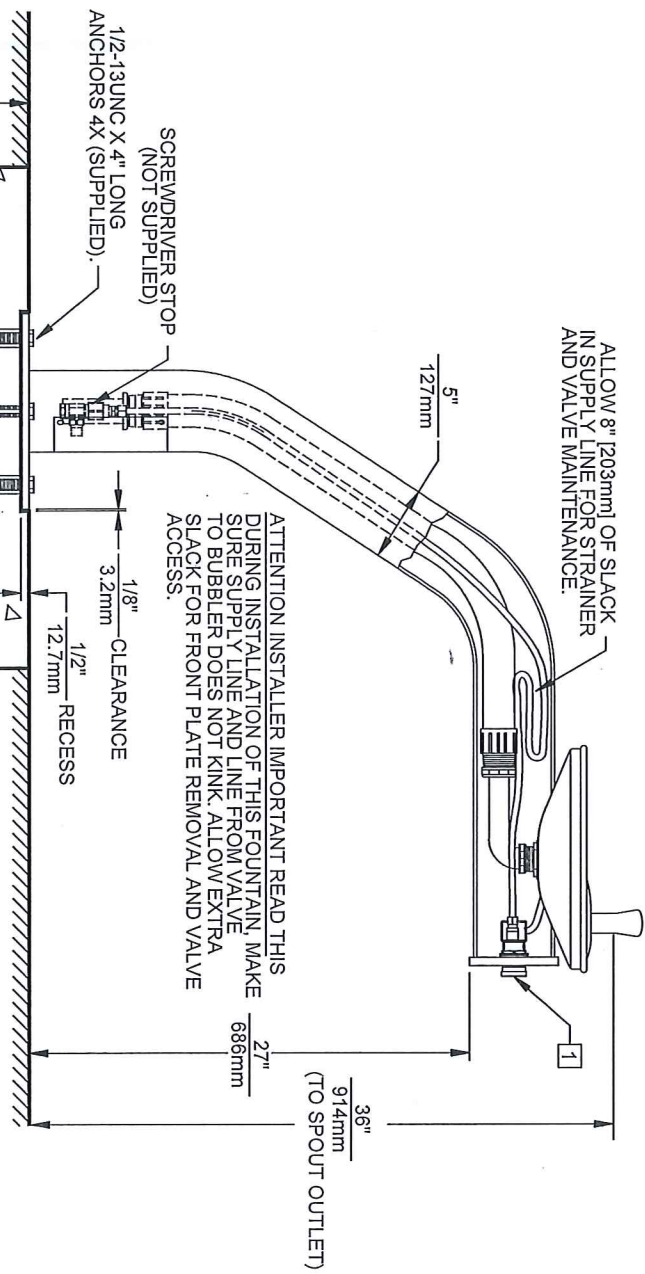
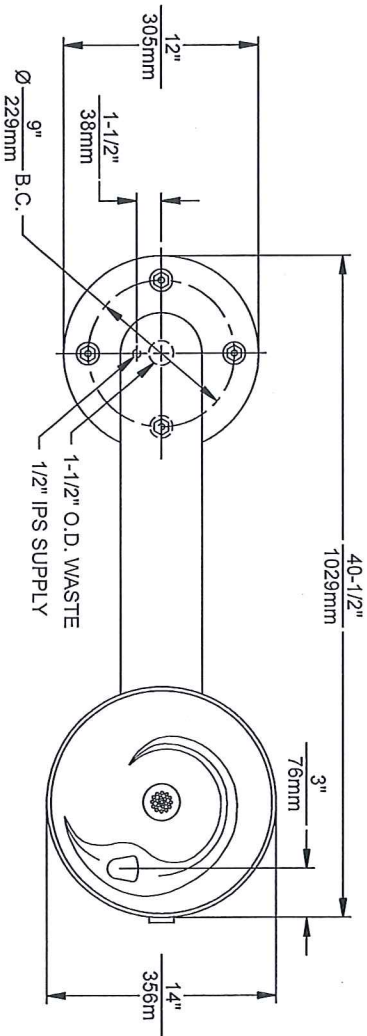
# PARTS BREAKDOWN



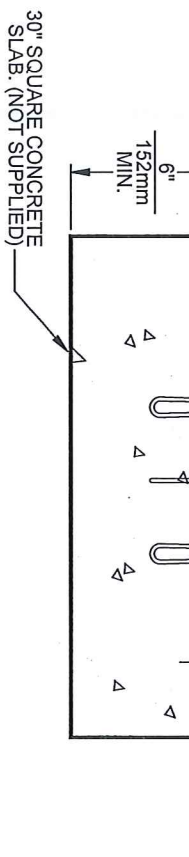
FOUNTAIN COULD HAVE EITHER STYLE  
**DETAIL A**  
 ROTATED 90° INTO VIEW

|  |                  |   |                               |                           |
|--|------------------|---|-------------------------------|---------------------------|
|  <b>Haws</b> <sup>®</sup> |                  | 1455 KLEPPE LANE<br>SPARKS, NEVADA 89431<br>(775) 359-4712 FAX (755) 359-7424<br>E-MAIL: HAWS@HAWSO.COM<br>WEBSITE: WWW.HAWSO.COM |                               |                           |
|  |                  | ECN NO. REVISED PER BY<br>ECN: 4828 HM  | MODEL(S)<br>3380/3380G        | PART NUMBER<br>0002077367 |
| DRAWN<br>D. OLLOM  | DATE<br>11/25/95 | CHKD.<br>[Signature]  | DRAWING NO.<br>12816C00       | REV<br>17                 |
| APPROVED<br>[Signature]  |                  | SCALE: 1:8  | DRAWING TYPE: PARTS BREAKDOWN | SIZE: A SHEET 1 OF 1      |

WHEN ORDERING PARTS PLEASE SPECIFY MODEL NUMBER.



**NOTES:**  
 1 REFER TO 5874SS OPERATION AND MAINTENANCE MANUAL FOR PUSH BUTTON AND VALVE INSTALLATION/ MAINTENANCE INSTRUCTIONS.



**Haws**  
 1455 KLEPPE LANE  
 SPARKS, NEVADA 89431  
 (775) 359-4712 FAX (755) 359-7424  
 E-MAIL: HAWS@HAWSCO.COM  
 WEBSITE: WWW.HAWSCO.COM

|                         |                            |                 |
|-------------------------|----------------------------|-----------------|
| ECN NO. REVISED PER BY: | MODEL(S)                   | PART NUMBER     |
| EQK-4828 HM             | 3380/3380G                 | 0002077367 D    |
| DATE: 5/9/07            |                            | DRAWING NO. TRV |
| BY: C. HAYES            |                            | 10233A00 177    |
| APPROVED: [Signature]   | SCALE: 1/12                | SHEET 1 OF 1    |
|                         | DRAWING TYPE: INSTALLATION |                 |