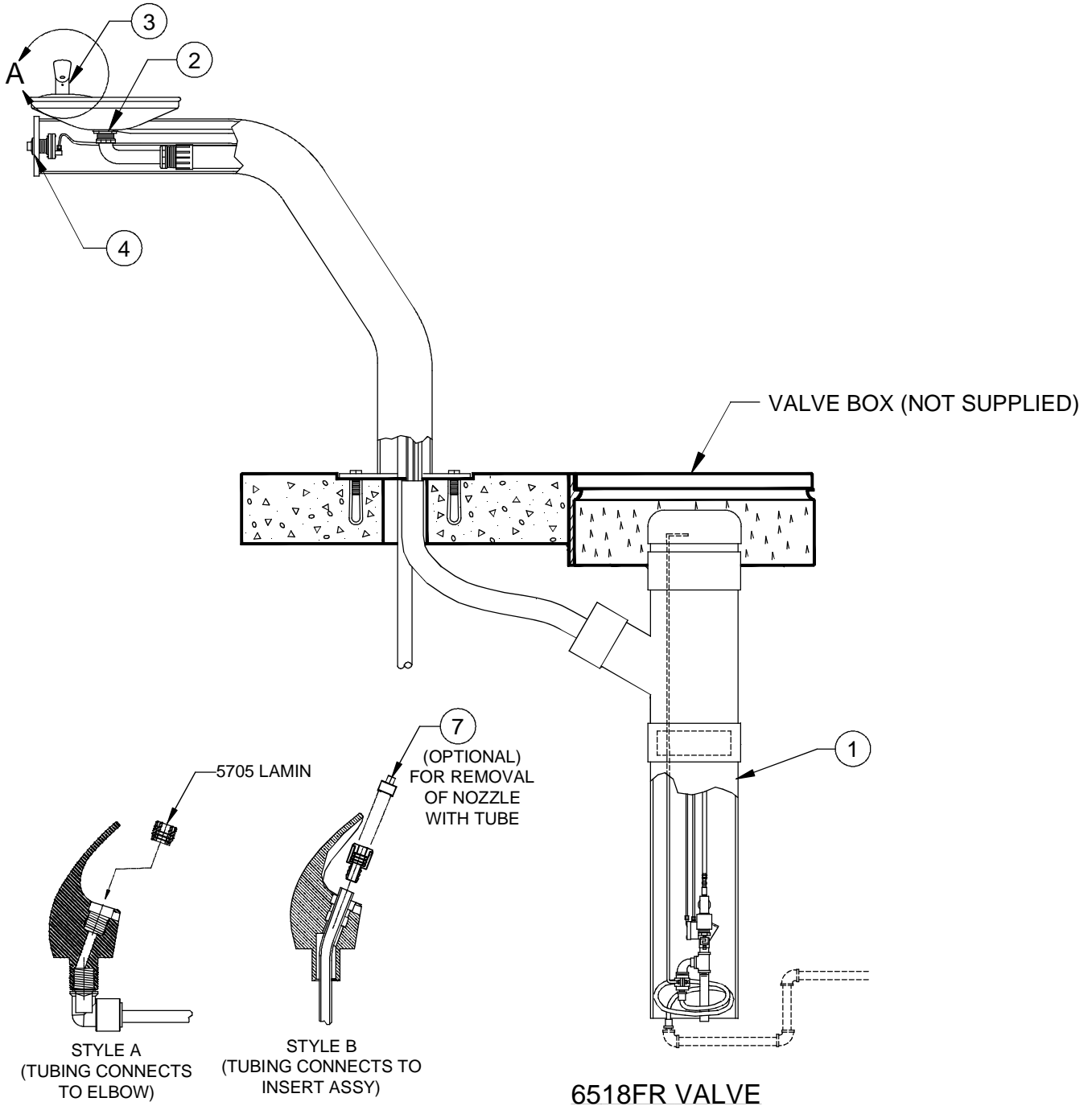


ITEM	DESCRIPTION	PART NO.
1	VALVE	6518FR
2	STRAINER	0005624292
3	BUBBLER HEAD (STYLE A OR STYLE B)	5705FR
4	PUSH BTN ASS'Y	5881PBA
5	DRIVER, NOZZLE .25 HEX	0002082253

# PARTS BREAKDOWN

3380FR/3380GFR WITH 6518FR



**FOUNTAIN COULD HAVE EITHER STYLE**  
**DETAIL A**  
**ROTATED 90° INTO VIEW**

WHEN ORDERING PARTS PLEASE SPECIFY MODEL NUMBER.

			1455 KLEPPE LANE SPARKS, NEVADA 89431 (775) 359-4712 FAX (775) 359-7424 E-MAIL: HAWS@HAWS.CO.COM WEBSITE: WWW.HAWS.CO.COM	
ECN NO.	REVISED PER	BY	MODEL(S)	PART NUMBER
	ECN: 4535	JDM	3380FR/3380GFR	0002077370
DRAWN	DATE	CHKD		REVISION
D. OLLOM	11/25/05	VWVC		14
APPROVED	DATE		SCALE: 1:12	DRAWING TYPE: PARTS BREAKDOWN
FV	04/21/15		SIZE: A	SHEET 1 OF 1