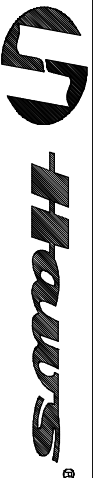
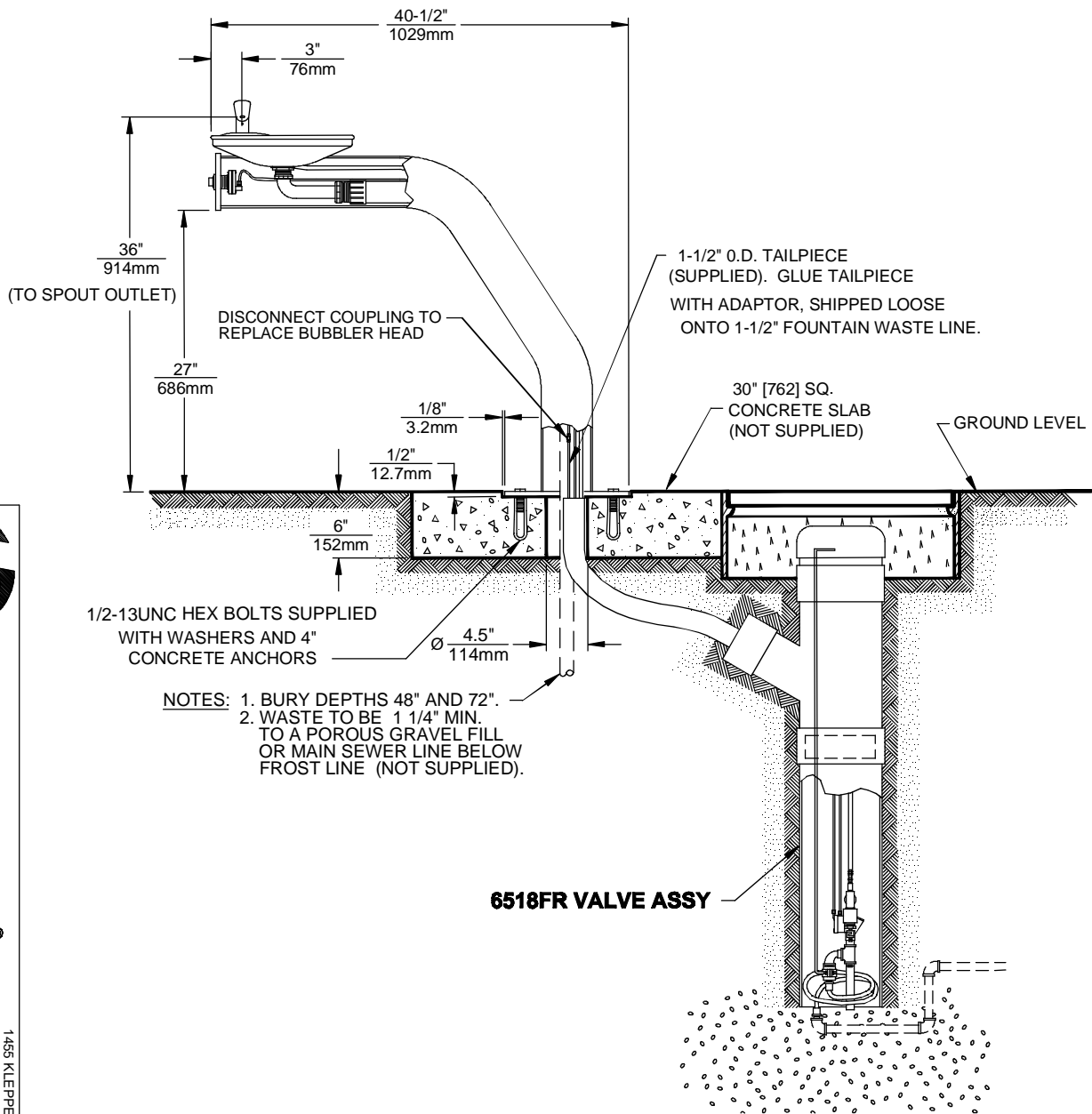
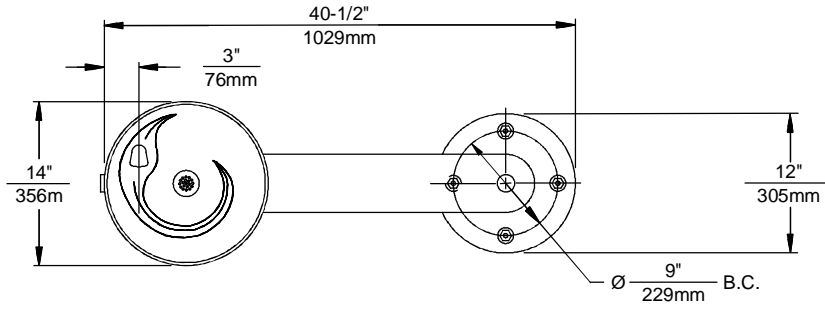


### 3380FR/3380GFR WITH 6518FR



1455 KLEPPE LANE

SPARKS, NEVADA 89431

(775) 359-4712 FAX (775) 359-7424

E-MAIL: HAWS@HAWS.CO.COM

WEBSITE: WWW.HAWS.CO.COM

ECN NO.	REVISED PER BY:	MODEL(S)
4595	JDM	3380FR/3380GFR
DATE	CHK'D:	PART NUMBER
08/12/92	VWC	0002077370.D
APPROVED	DATE	REVISION
FV	04/21/15	14
SCALE	1:17	DRAWING TYPE
		INSTALLATION
		SIZE: A SHEET 1 OF 1