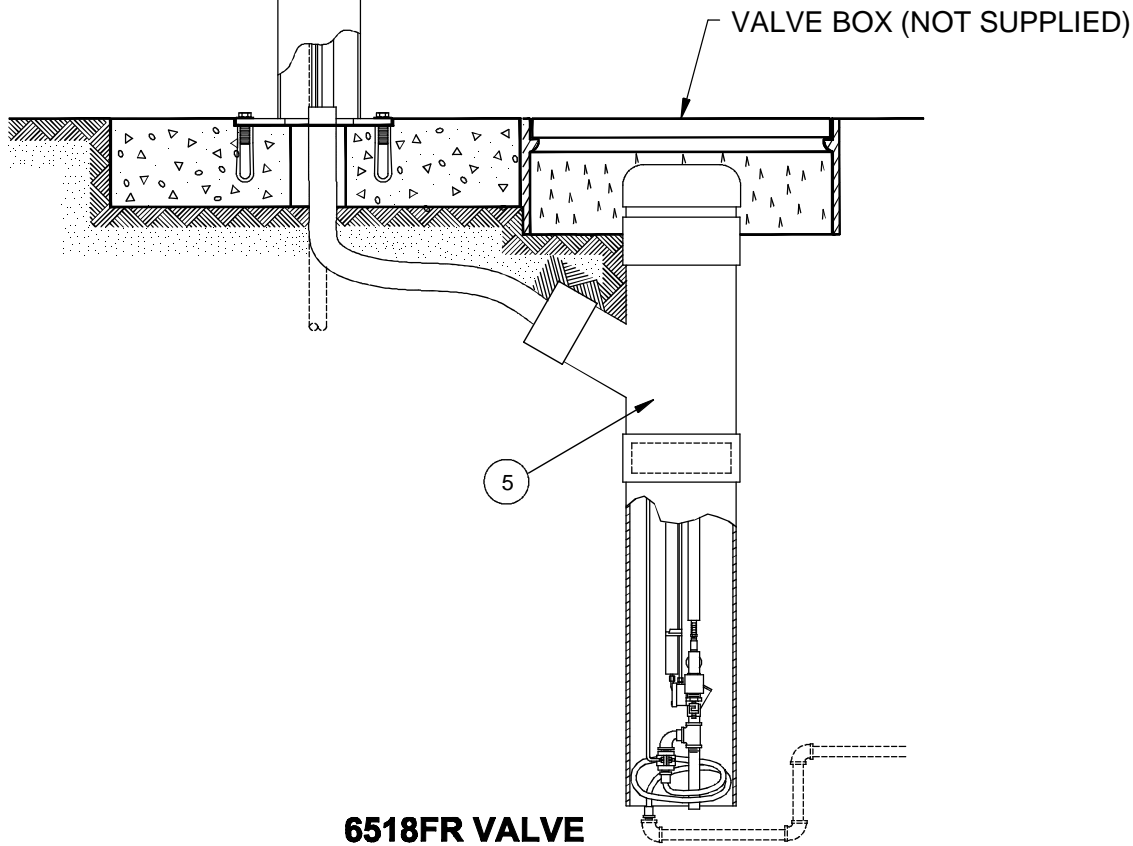
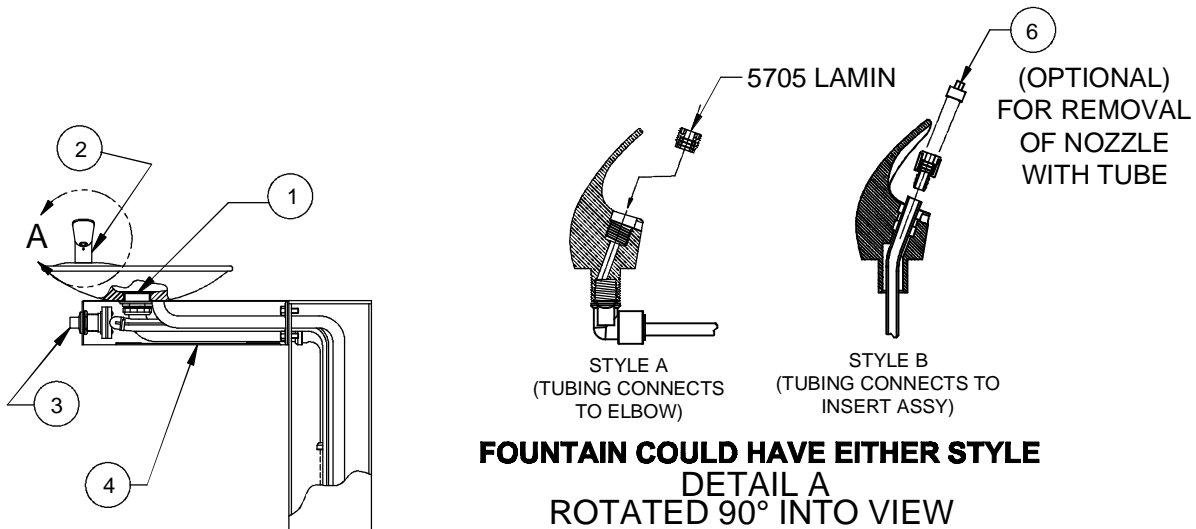



PARTS BREAKDOWN

ITEM	DESCRIPTION	PART NO.
1	STRAINER ASSY	6463
2	BUBBLER HEAD (STYLE A OR STYLE B)	5705FR
3	PUSH BUTTON ASSY	5881PBA
4	BOTTOM PLATE	PBM1000
5	VALVE ASSY.	6518FR
6	DRIVER, NOZZLE .25 HEX	0002082253



6518FR VALVE

 Haws [®]		1455 KLEPPE LANE SPARKS, NEVADA 89431 (775) 359-4712 FAX (775) 359-7424 E-MAIL: HAWS@HAWS.CO.COM WEBSITE: WWW.HAWS.CO.COM	
		ECN NO. REVISED PER BY ECN: 4536 JDM	MODEL(S) 3377FR
DRAWN RTM APPROVED FV	DATE 10/20/98 DATE 04/21/15	CHKD VWC	REVISION 8
WHEN ORDERING PARTS PLEASE SPECIFY MODEL NUMBER.		SCALE: 1:14	DRAWING TYPE: PARTS BREAKDOWN
		SIZE: A	SHEET 1 OF 1